



120x120x38 mm

DC Axial Fans

FD1238 24B 45

PN: 200331



Specifications

Supply Voltage	VDC	24
Operating Voltage	VDC	14.0 ~ 27.0
Current	A	0.80 (max. 0.96)
Power	W	19.2 (max. 23.04)
Speed	RPM	4500 ± 10%
Airflow	CFM	226.37.81 (min. 203.74)
Pressure	mmH2O	21.74 (min. 17.61)
Sound Level	dBA	49.6 (max. 54.7)
Operating Temp.	°C	-10 ~ +70
Optional Function	-	-

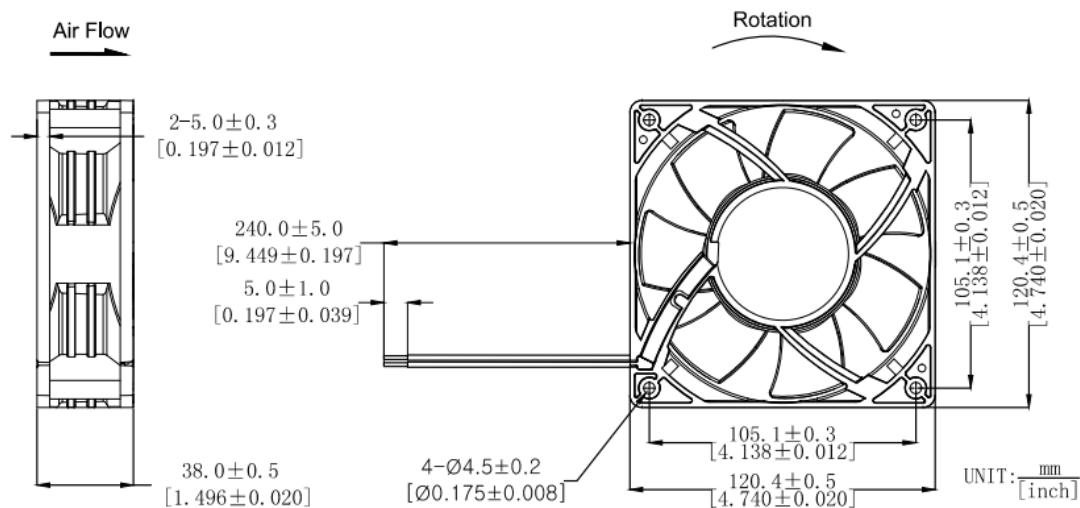
*: above specifications are subject to change without prior notice.

Technical Data		
Dimensions	mm	120x120x38
Impeller Material	-	PBT Black (UL94V-0)
Housing Material	-	PBT Black (UL94V-0)
Weight	g	270
Rotation Direction	-	Clockwise (from label side)
Bearing	-	Ball
Life	hrs.	70000
Lead Wire	-	2 wires, 260 mm

Environmental		
Operating Temp.	°C	-10 ~ +70
Storage Temp.	°C	-40 ~ +85
Humidity	%RH	15 ~ 90
Storage Humidity	%RH	15 ~ 90

Electrical		
Insulation Resistance	Ohm	Min. 10M between unshielded wire and frame at 500 VDC/min.
Dielectric Strength	-	Withstand 500 VAC 1 minute 1mA between housing and both lead wires.
Polarity Protection	-	Open circuit when Vcc and GND are exchanged.
Locked Rotor Protection	-	Auto power off after locked at rated voltage for 1-3 sec, then circuit attempt to restart in 2 to 6 sec, There is no damage after 72 hrs locking.

Dimensions Drawing



Performance

