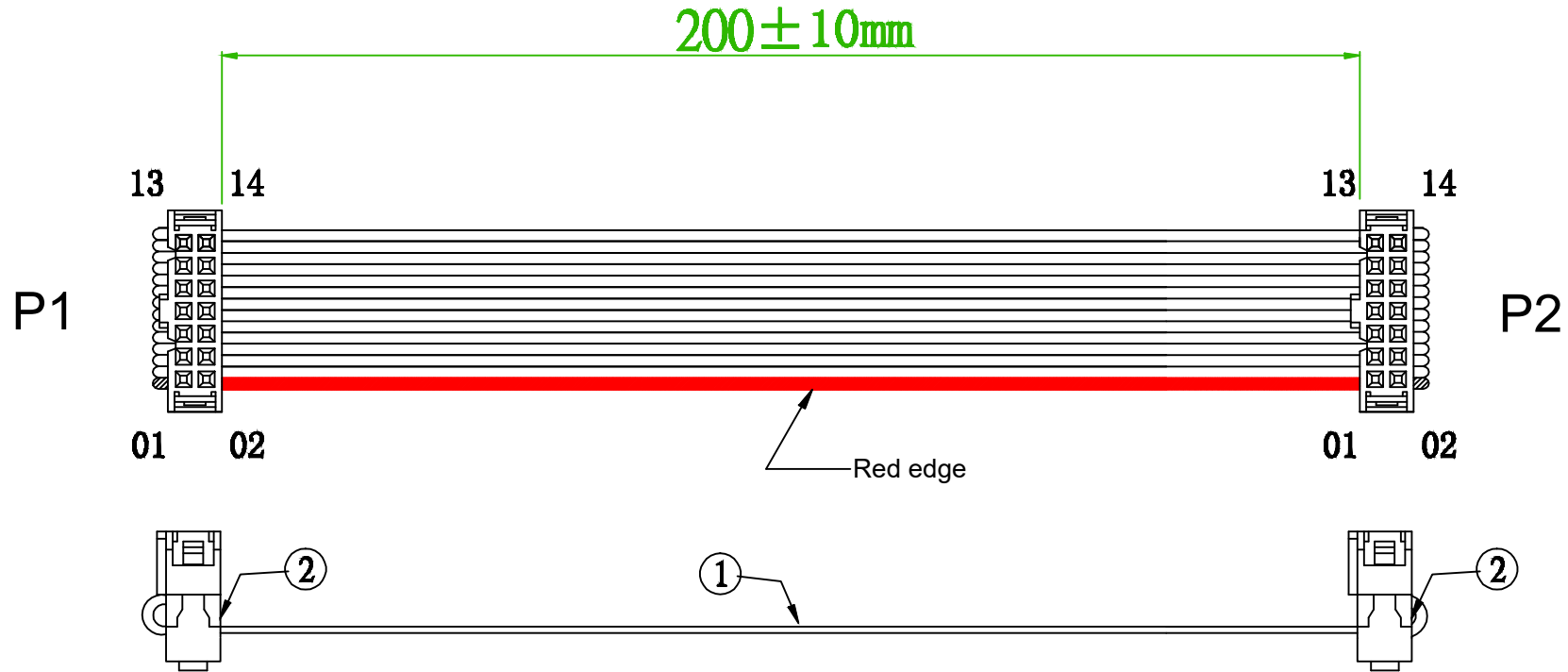


NOTES:

1. 100% OPEN/SHORT TEST.
2. INSULATION RESISTANCE TEST:DC 7V/ 500KΩ.



PIN OUT:

P1	RED	P2
1	GRAY	1
2	GRAY	2
3	GRAY	3
4	GRAY	4
5	GRAY	5
6	GRAY	6
13	GRAY	13
14	GRAY	14

2	CONN.	FC-14H(3),PBT+G/F BLACK	2PCS
1	WIRE	FLC-14P UL2651 #28 PH=1.27mm L=232mm 7*0.12	A/R
ITEM	PART NAME	DESCRIPTION	Q'TY
REV.	ECN NO. OR DESCRIPTION	REVISED	DATE

**糧德精密有限公司**  
 Amtek Technology Co., Ltd.  
 TEL: 886-2-2260-6878  
 FAX: 886-2-2260-8030

品名 TITLE	Flexible Flat Cable				頁數 Page	1/1
品號 PART NO.	61FFC-01196			繪圖 DRAWN	Alice	
圖號 DRAWING NO.	GN046-AZ207	版本 REV.	A	核對 CHECKED	Josh	
客戶品號 CUSTOMER P/N		比例 SCALE	None	承認 APPROVED	Josh	
公差 TOLERANCE		單位 UNIT	mm	THIRD ANGLE PROJECTION		