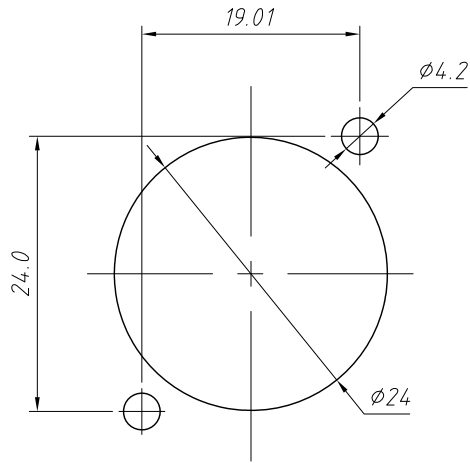
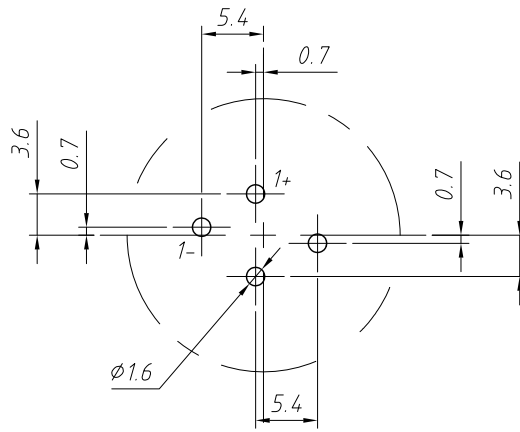


RoHS Compliance



Panel Cut Out



PCB Layout Top View

Order Information:

L-KLS1-SL S-0608-04-BK

L: RoHS

SpeakON series

Type:

S-Socket P-Plug

Order Number

No. of 04 pins

Color: BK-Black

Electrical:

1. Voltage Rating: 250VAC

2. Current Rating: XLR-20A Max.

JACK: 15A Max.

3. Contact Resistance: 30mΩ Max.

4. Insulation Resistance: 1000MΩ Min.

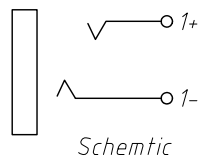
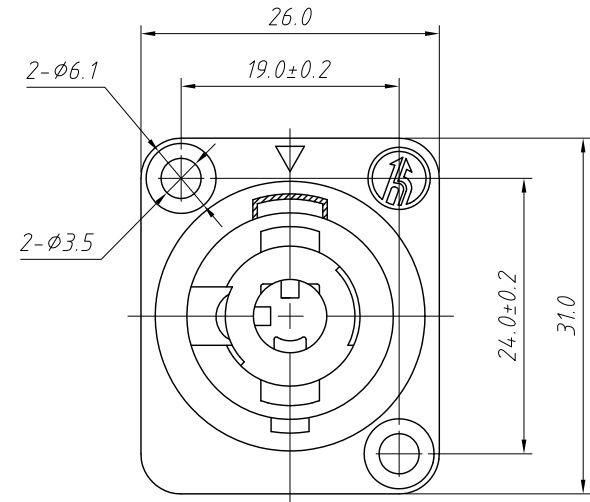
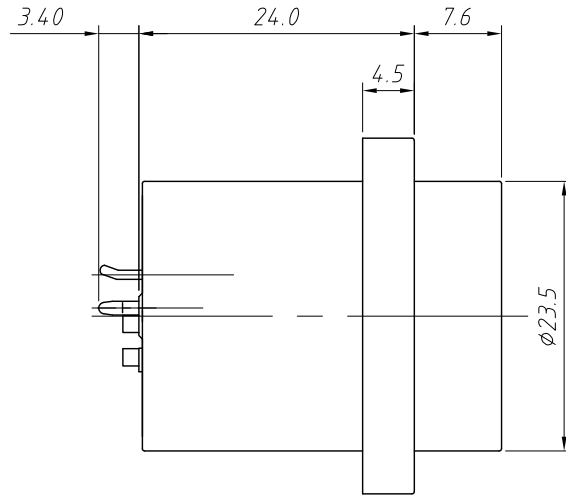
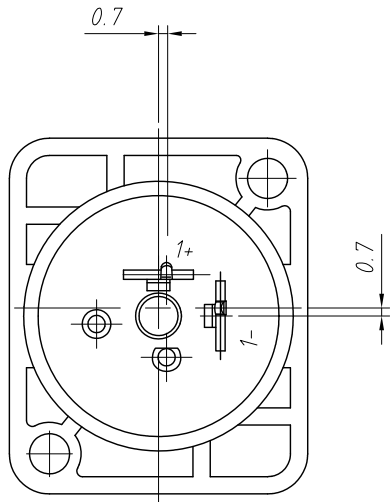
5. Withstanding Resistance: 1000VAC Min.

Mechanical:

1. Durability: 1000 cycles Min.

2. Insertion Force: 5~20N

3. Withdrawal Force: 5~20N.



Schematic

ANGLE TOLERANCE	PROJECTION	Description:	4 Pole Chassis Connector Flange	
±3°				
GENERAL TOLERANCE	UNITS	mm	KLS P/N:	L-KLS1-SLS-0608-04-BK
x.x ±0.30	SHEET SIZE	A4	1 / 1 page	
x.xx ±0.20	Draw:	Daniel	2021-08-28	
x.xxx ±0.10	Check:	Daniel	2021-08-28	



NingBo KLS ELECTRONIC CO.,L TD.