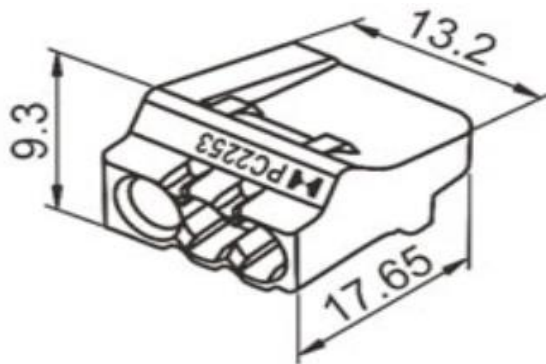


PUSH-IN TYPE CONNECTORS

Halogen Free
Self-Extinguishing

Current	24A
Voltage	450V
Conductor Type	Rigid
Conductor Cross-Section	0,5 - 2,5 mm ²
Min. Working Temp.	-30°C
Max. Working Temp.	+110°C
Housing	(PC)

Order Code	Color	Ports	Packing
PC2252	Red	2	1000
PC2253	Orange	3	1000
PC2254	Yellow	4	500
PC2255	Grey	5	500
PC2258	Black	8	250



Applications

Junction Boxes

Distribution Boxes

Control Panels

OEM Lighting Manufacturing

Security/Alarm Systems

Prefabricated Wiring Systems