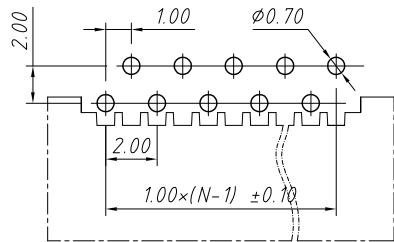
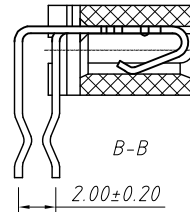
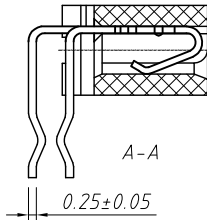
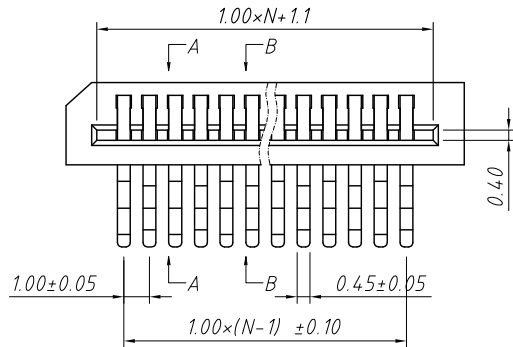
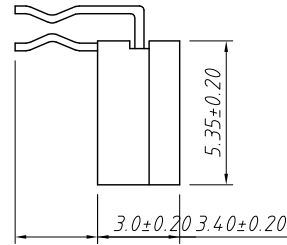
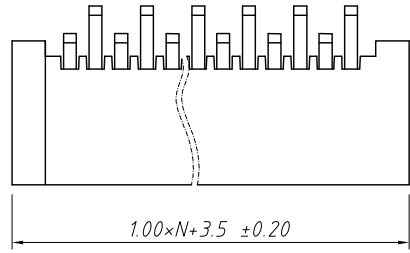
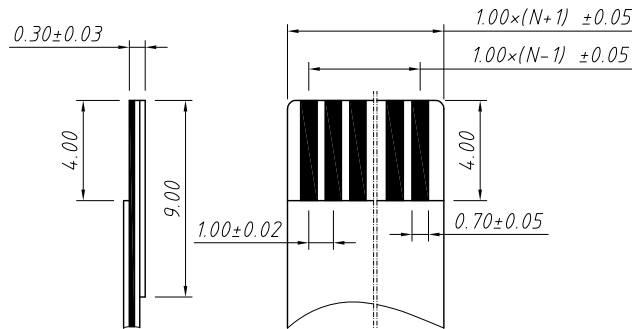


RoHS Compliant



PCB LAYOUT



Proper Cable

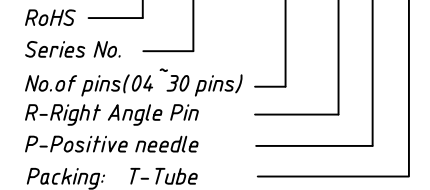
Material
Housing: LCP UL94V-0
Contact: Phosphor Bronze, Tin Plated

Electrical
Voltage rating: 50 V
Current rating: 0.5 A
Withstand Voltage: 500 V
Insulation resistance: 500MΩ.Min.
Contact resistance: 30 mΩ.max.

Mechanical
Temp. Range: -25 °C ~ + 85 °C

Order Information

L-KLS1- 240 - XX -R-P-T

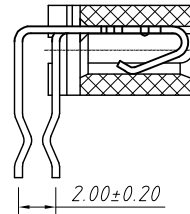
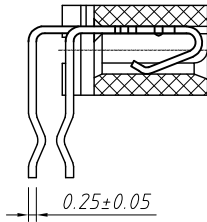
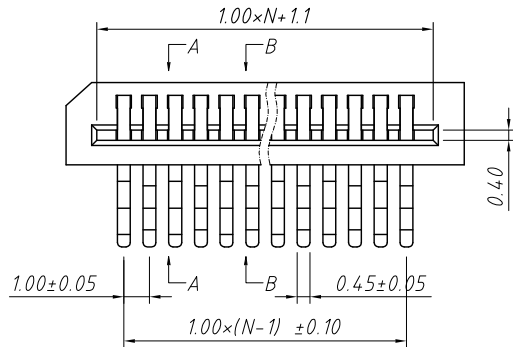
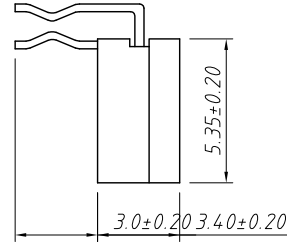
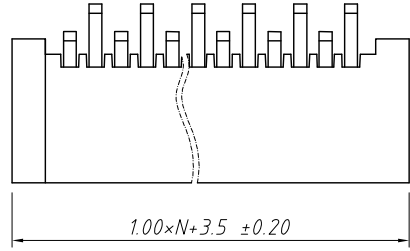


GENERAL TOLERANCE	ANGLE TOLERANCE	PROJECTION	Description:
X. ±0.15	X. ±5°	UNITS	CONN FFC 1.00mm, Positive needle, THR, 90°
.X ±0.03	.X ±3°	SHEET SIZE	
.XX ±0.05	.XX ±2°	KLS P/N:	

Draw by: Date	2018-03-10
Check by: Date	2018-03-10
SCALE	SHEET OF

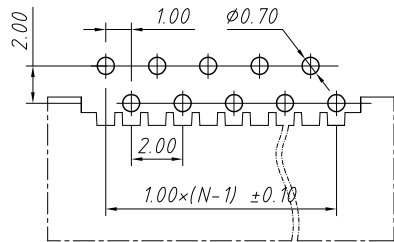
KLS NingBo KLS ELECTRONIC CO.,LTD.

RoHS Compliant

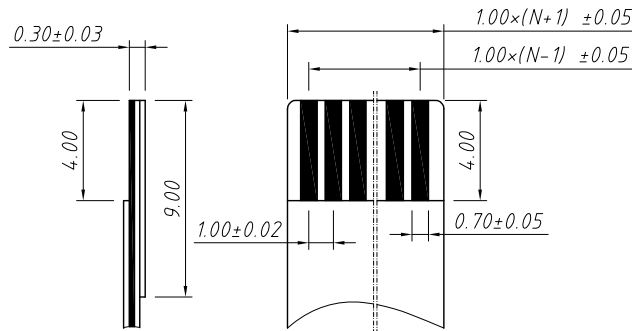


B-B

A-A



PCB LAYOUT



Proper Cable

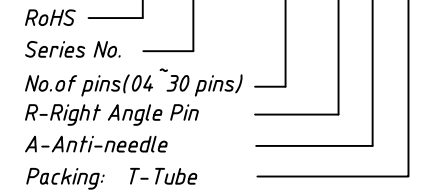
Material
 Housing: LCP UL94V-0
 Contact: Phosphor Bronze, Tin Plated

Electrical
 Voltage rating: 50 V
 Current rating: 0.5 A
 Withstand Voltage: 500 V
 Insulation resistance: 500MΩ.Min.
 Contact resistance: 30 mΩ.max.

Mechanical
 Temp. Range: -25 °C ~ +85 °C

Order Information

L-KLS1- 240 - XX -R-A-T

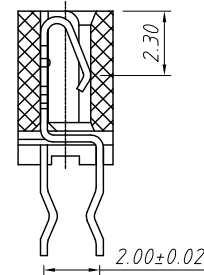
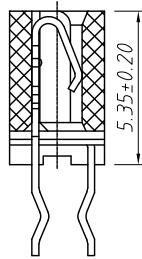
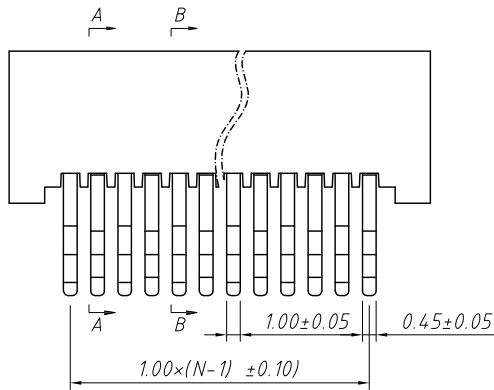
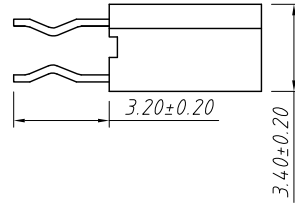
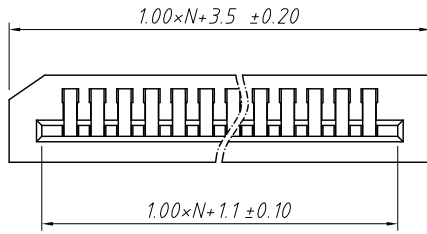


GENERAL TOLERANCE		ANGLE TOLERANCE		PROJECTION		Description:	
X	±0.15	X	±5°	UNITS	mm	CONN FFC 1.00mm, Anti-needle, THR, 90°	
.X	±0.03	.X	±3°	SHEET SIZE	A4		
.XX	±0.05	.XX	±2°	KLS P/N:			

Draw by: Date	2018-03-10
Check by: Date	2018-03-10
SCALE	SHEET OF

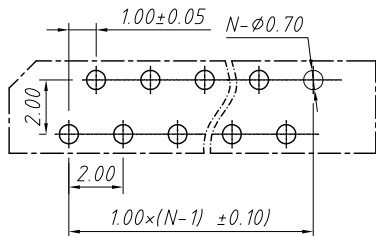
KLS NingBo KLS ELECTRONIC CO.,LTD.

RoHS Compliant

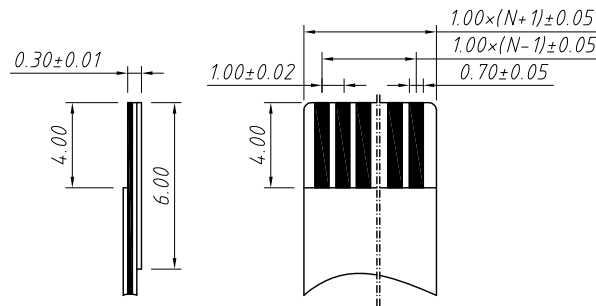


A-A

B-B



PCB Layout



Proper Cable

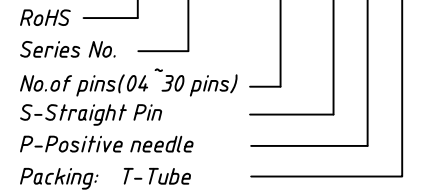
Material
Housing: LCP UL94V-0
Contact: Phosphor Bronze, Tin Plated

Electrical
Voltage rating: 50 V
Current rating: 0.5 A
Withstand Voltage: 500 V
Insulation resistance: 500M Ω .Min.
Contact resistance: 30 m Ω .max.

Mechanical
Temp. Range: -25 °C ~ + 85 °C

Order Information

L-KLS1- 240 - XX -S-P-T

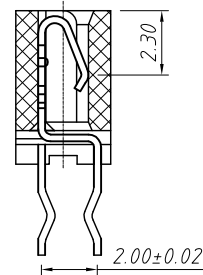
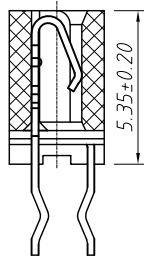
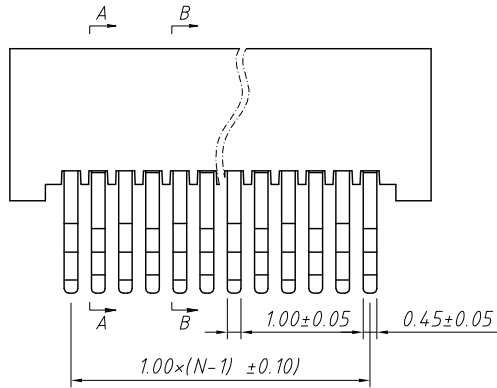
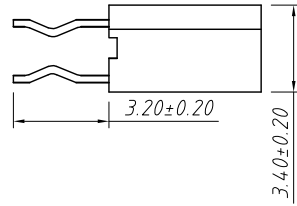
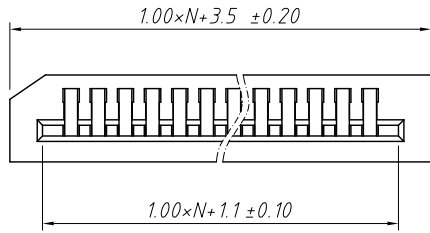


GENERAL TOLERANCE	ANGLE TOLERANCE	PROJECTION	Description:
X. ±0.15	X. ±5°	UNITS	CONN FFC 1.00mm, Positive needle, THR, 180°
.X ±0.03	.X ±3°	SHEET SIZE	
.XX ±0.05	.XX ±2°	KLS P/N:	

Draw by: Date	2018-03-10
Check by: Date	2018-03-10
SCALE	SHEET OF

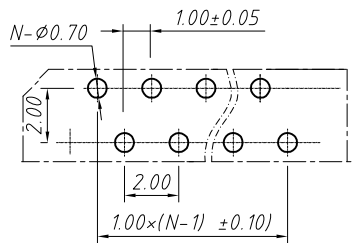
NingBo KLS ELECTRONIC CO.,LTD.

RoHS Compliant

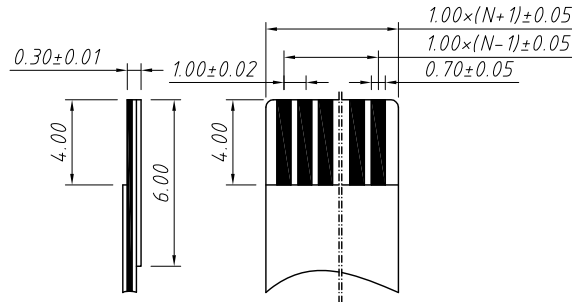


B-B

A-A



PCB Layout



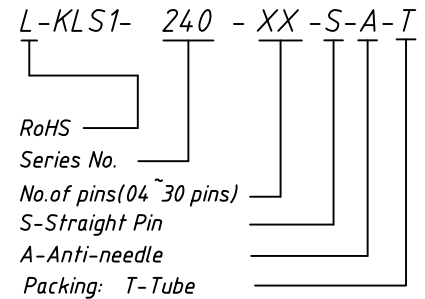
Proper Cable

Material
Housing: LCP UL94V-0
Contact: Phosphor Bronze, Tin Plated

Electrical
Voltage rating: 50 V
Current rating: 0.5 A
Withstand Voltage: 500 V
Insulation resistance: 500M Ω .Min.
Contact resistance: 30 m Ω .max.

Mechanical
Temp. Range: -25 °C ~ + 85 °C

Order Information

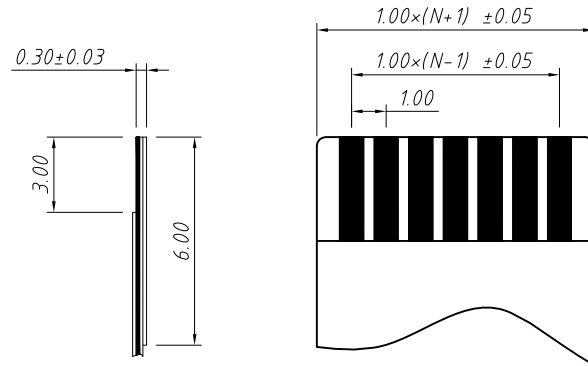
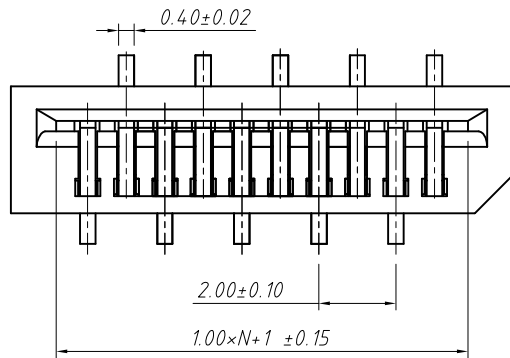


GENERAL TOLERANCE	ANGLE TOLERANCE	PROJECTION	Description:
X. ± 0.15	X. $\pm 5^\circ$	UNITS	CONN FFC 1.00mm, Anti-needle, THR, 180°
.X ± 0.03	.X $\pm 3^\circ$	SHEET SIZE	
.XX ± 0.05	.XX $\pm 2^\circ$	KLS P/N:	

Draw by: Date	2018-03-10
Check by: Date	2018-03-10
SCALE	SHEET OF

KLS NingBo KLS ELECTRONIC CO.,LTD.

RoHS Compliant

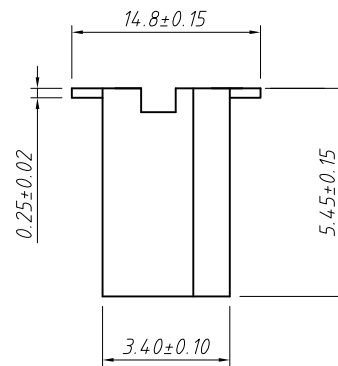
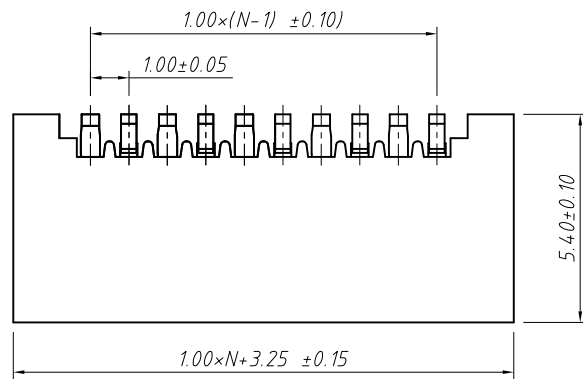


Material
Housing: LCP UL94V-0
Contact: Phosphor Bronze, Tin Plated

Electrical
Voltage rating: 50 V
Current rating: 0.5 A
Withstand Voltage: 500 V
Insulation resistance: 500M Ω .Min.
Contact resistance: 30 m Ω .max.

Mechanical
Temp. Range: -25 °C ~ + 85 °C

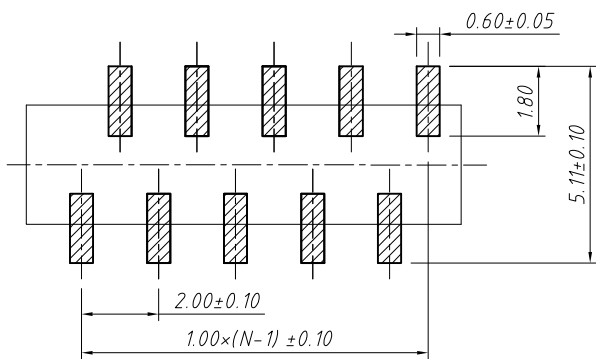
Accommodated FFC



Order Information

L-KLS1- 240 - XX - T-P-R

RoHS —
Series No. —
No. of pins(04 ~ 30 pins) —
T-SMT Pin , Vertical —
P-Positive needle —
Packing: T-Tube R-Reel —



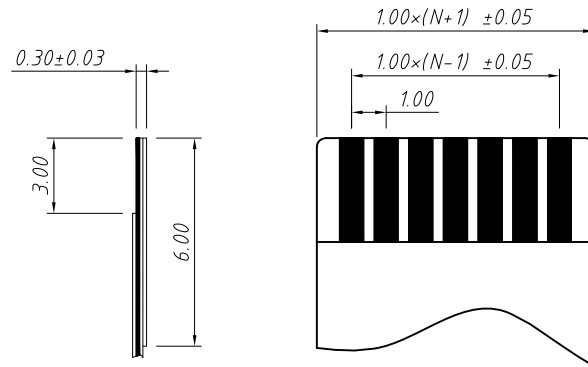
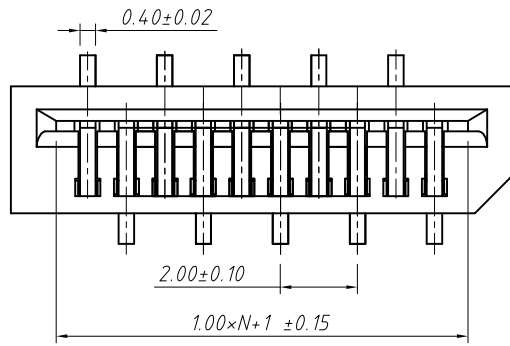
PCB LAYOUT
Positive needle

GENERAL TOLERANCE	ANGLE TOLERANCE	PROJECTION	Description:
X. ± 0.15	X. $\pm 5^\circ$	UNITS	CONN FFC 1.00mm,
.X ± 0.03	.X $\pm 3^\circ$	SHEET SIZE	SMD Vertical, Positive needle
.XX ± 0.05	.XX $\pm 2^\circ$	KLS P/N:	L-KLS1-240-XX-T-P-R

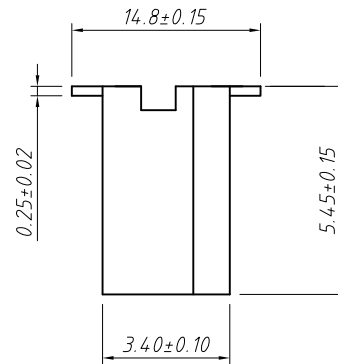
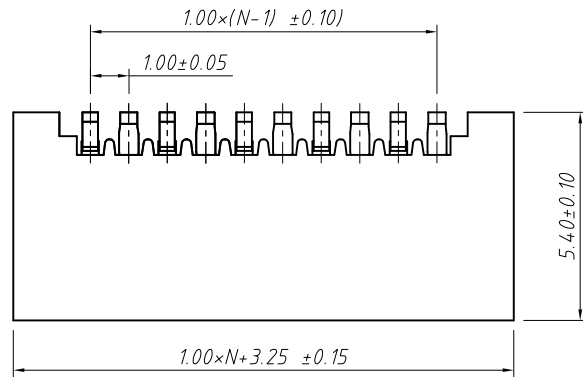
Draw by: Date	2018-03-10
Check by: Date	2018-03-10
SCALE	SHEET OF

KLS NingBo KLS ELECTRONIC CO.,LTD.

RoHS Compliant



Accommodated FFC



Material
Housing: LCP UL94V-0
Contact: Phosphor Bronze, Tin Plated

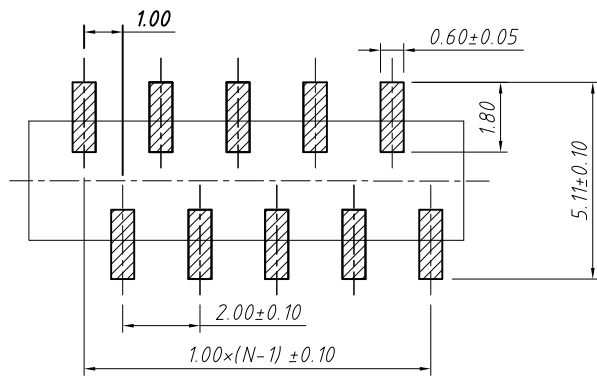
Electrical
Voltage rating: 50 V
Current rating: 0.5 A
Withstand Voltage: 500 V
Insulation resistance: 500M Ω .Min.
Contact resistance: 30 m Ω .max.

Mechanical
Temp. Range: -25 °C ~ + 85 °C

Order Information

L-KLS1- 240 - XX - T - A - R

RoHS —
Series No. —
No. of pins(04 ~ 30 pins) —
T-SMT Pin , Vertical —
A-Anti-needle —
Packing: T-Tube R-Reel —



PCB LAYOUT
Anti-needle

GENERAL TOLERANCE	ANGLE TOLERANCE	PROJECTION	Description:
X. ± 0.15	X. $\pm 5^\circ$	UNITS	CONN FFC 1.00mm,
.X ± 0.03	.X $\pm 3^\circ$	SHEET SIZE	SMD Vertical, Anti-needle
.XX ± 0.05	.XX $\pm 2^\circ$	KLS P/N:	L-KLS1-240-XX-T-A-R

Draw by: Date	2018-03-10
Check by: Date	2018-03-10
SCALE	SHEET OF

KLS
NingBo KLS ELECTRONIC CO.,LTD.