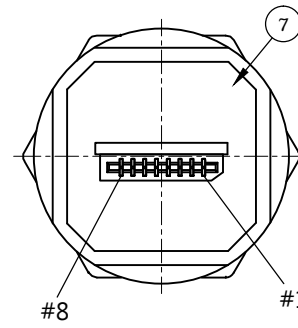
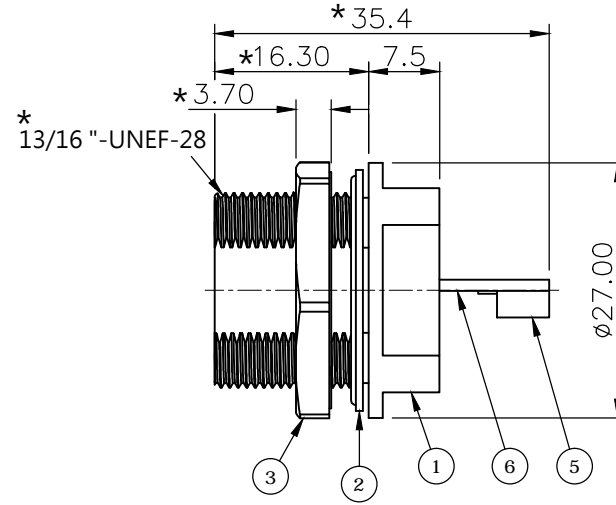
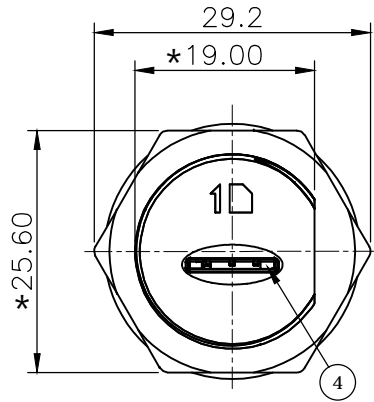


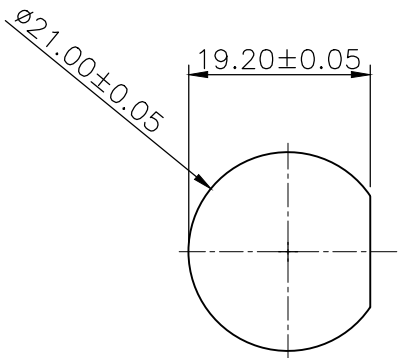
REV.	DESCRIPTION	DRAWN	DATE
1	INITIAL RELEASE	TIM	2020/02/24

**SPECIFICATION:**

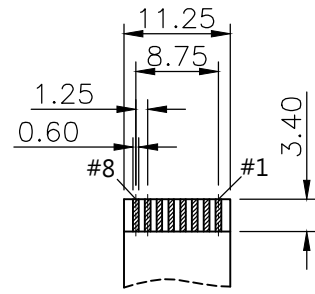
- 1.1 Current Rating: 0.5A per pin
- 1.2 Voltage Rating: 10V AC/DC
- 1.3 Water Proof: IPX7
- 1.4 Operation Temperature: -40°C to +85°C



CARD DETECT SWITCH		
Without Card	Card Inserted	
GND	CD	GND
PIN ASSIGNMENT		
SIM	Name	FPC
C1,C6	Vcc	8
C5	GND	7
C2	RST	6
C1,C6	Vcc	5
C3	CLK	4
C7	DATA	3
CD	SIM_CD	2
C5	GND	1



**RECOMMEND PANEL CUT OUT**  
**PANEL Thick: 1.5~6.0mm**



**FFC/ FPC Dimension**  
**Thickness 0.3mm**  
**General Tolerance: ±0.03mm**

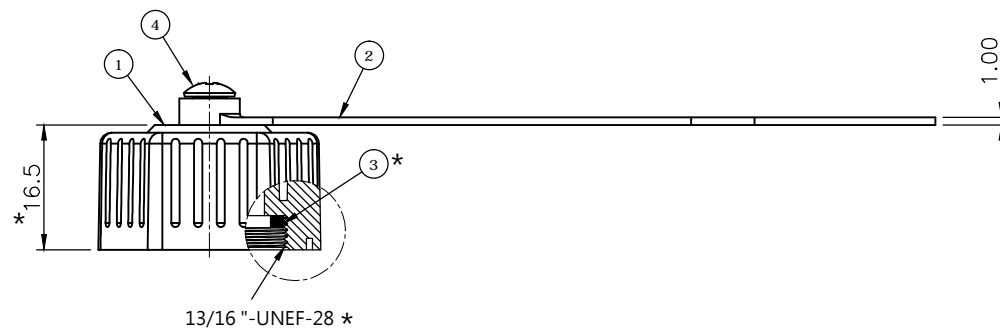
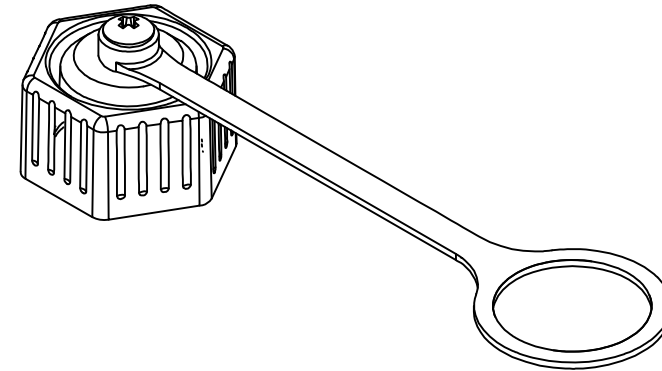
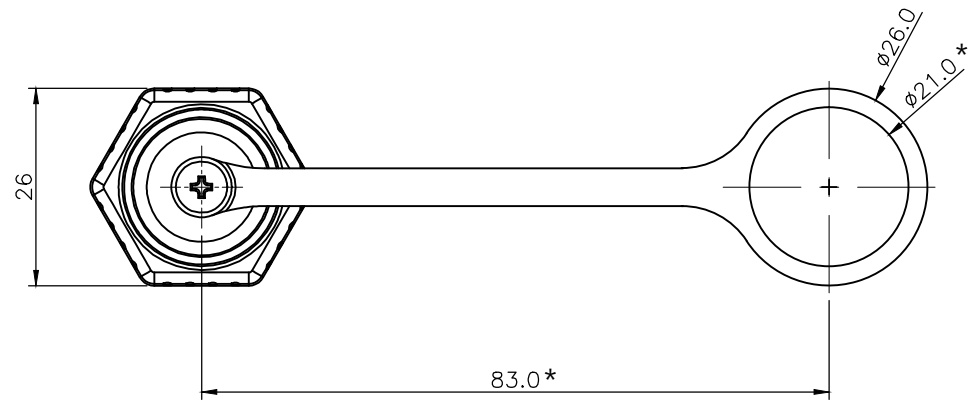
7	EPOXY	Black
6	PCB	FR4, T= 1.2mm
5	CONN	FPC Connector, 8Pin PH1.25, Dual Contact
4	CONN	NANO SIM Socket
3	NUT	Thermoplastic, Black
2	Gasket	Silicone, Red
1	Housing	Thermoplastic, Black

NO.	PART NAME	DESCRIPTION		
UNLESS OTHERWISE SPECIFIED TOLERANCE				
UNIT:	DECIMAL	LINEAR	ANGLES	
	X.	±0.50	±5°	
	X.X	±0.25	±3°	
	X.XX	±0.12	±1°	
DRAWN	Tim	2020/02/24	DRAWN NAME: NANO SIM Type Water Proof Socket Front Fastened	
CHECKED	Fros	2020/02/24		
APPROVED	Ken	2020/02/24	PRODUCT NO. 222A-05004	
	SCALE 1/1	SHEET 1/1	SIZE A4	FILE NAME 222A-05004_B_1



WWW.ATTEND.COM.TW

REV.	DESCRIPTION	DRAWN	DATE
1	INITIAL RELEASE	TIM	2020/03/30



13/16" -UNEF-28 \*

4	SCREW	Stainless Steel						
3	GASKET	Silicon, Red						
2	LEAD	Nylon, Black						
1	CAP	Thermoplastic, Black						
NO.	PART NAME	DESCRIPTION						
UNLESS OTHERWISE SPECIFIED TOLERANCE								
UNIT:	DECIMAL	LINEAR	ANGLES					
mm	X.	±0.50	±5°					
	X.X	±0.25	±3°					
	X.XX	±0.12	±1°					
DRAWN		Tim	2020/03/30	DRAWN NAME: NANO SIM Type Water Proof Dust Cap				
CHECKED		Fros	2020/03/30					
APPROVED		Ken	2020/03/30	PRODUCT NO. 222A-05005				
SCALE		1/1	SHEET	1/1	SIZE	A4	FILE NAME	222A-05005_B_1



WWW.ATTEND.COM.TW