

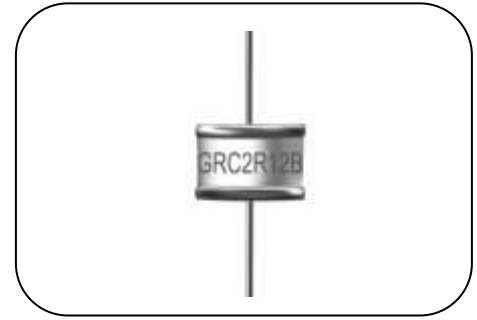
Gas Discharge Tube: GRC Series



2-Electrode $\Phi 8 \times T6/7.9$ mm High Voltage and Surge Type

■ Features

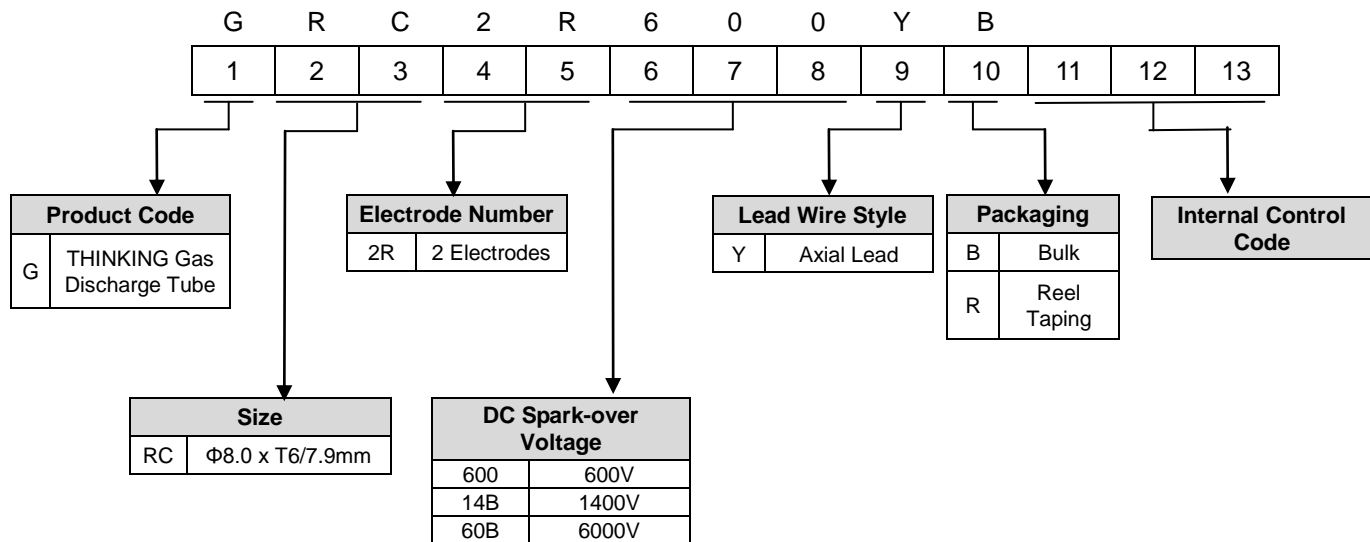
1. RoHS & HF compliant
2. Rugged ceramic-metal construction
3. Available lead wire
4. DC spark-over voltage: 280~6500V
5. Low capacitance
6. Agency recognition: UL / cUL
7. Operating temperature: $-40^{\circ}\text{C} \sim +85^{\circ}\text{C}$
Storage temperature: $-40^{\circ}\text{C} \sim +115^{\circ}\text{C}$



■ Recommended Applications

1. Modem
2. xDSL splitter
3. CATV system
4. Power supply
5. Consumer electronics
6. Communication lines

■ Part Number Code



Gas Discharge Tube: GRC Series



2-Electrode Φ8xT6/7.9mm High Voltage and Surge Type

■ Characteristics

Part No.	DC Spark-over Voltage	Max. Impulse Breakdown Voltage		Max. Impulse Discharge Current (8/20μs)		Arc Voltage	Max. Continuous Current	Normal Alternating Discharge Current	Minimum Insulation Resistance	Maximum Capacitance (1MHz)	Safety Approvals
	100V/S	100V/μs	1KV/μs	1 time	10 times	at 1 Amp Min		50Hz, 1Sec			
	(V)	(V)	(V)	(KA)		TYP	Amps	(A)	(GΩ)	(pF)	UL1449/cUL
GRC2R280□□	230-340	500	550	10	5	-25	200	5	10	1.5	√
GRC2R600□□	600±20%	1100	1200					5			√
GRC2R10B□	1000±20%	1400	1500					/			√
GRC2R11B□	1100±20%	1600	1700					/			√
GRC2R12B□	1200±20%	1700	1800					/			√
GRC2R13B□	1300±20%	1800	1900					/			√
GRC2R15B□	1500±20%	1800	2000					/			√
GRC2R20B□	2000±20%	2500	2750					/			√
GRC2R25B□	2500±20%	3200	3500					/			√
GRC2R27B□	2700±20%	3600	4000					/			√
GRC2R30B□	3000±20%	4000	4200					/			√
GRC2R33B□	3300±20%	4600	4700					/			√
GRC2R40B□	4000±20%	5800	6000					/			√
GRC2R45B□	4500±20%	6150	6500					/			√
GRC2R50B□	5000±20%	7500	8000					/			√
GRC2R62B□	6200±20%	8100	9500					/			√
GRC2R65B□	6500±20%	9500	10000	/	√						

Note 1 : The first □ is style of lead wire, and the second □ is packing.

Note 2 : T of GRC2R280□□~GRC2R33B□□ is 6±0.2mm, and T of GRC2R40B□□~GRC2R65B□□ is 7.9±0.3mm.

Note 3 : UL 1449 4th File No: E314979

Note 4 : Insulation resistance test conditions:

DC Spark-over Voltage	DC Measuring Voltage
151-400V	100V
401-1000V	250V
1001-2000V	500V
2001-6500V	1000V

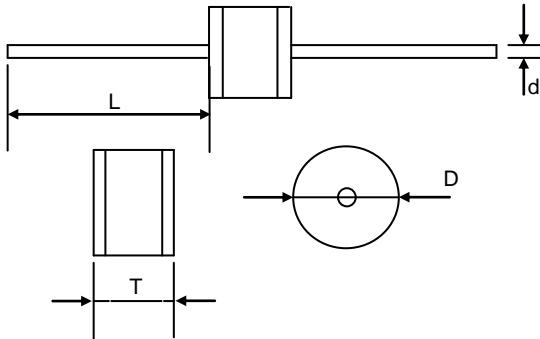
Gas Discharge Tube: GRC Series



2-Electrode $\Phi 8 \times T6/7.9$ mm High Voltage and Surge Type

Dimension

□ = Y (Axial Lead Type)



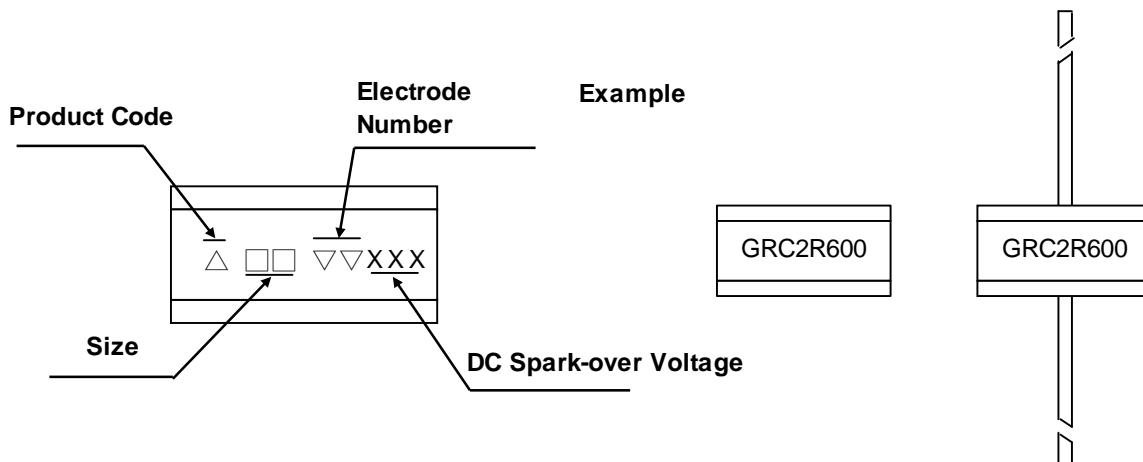
(Unit: mm)

Item	Dimensions	
	Spec.	Tolerance
D	8.0	± 0.2
T	6.0&7.9	± 0.2 & ± 0.3
L	20	Min.
d	0.8	± 0.05

Note:

T of GRC2R280□□~ GRC2R33B□□ parts is 6 ± 0.2 mm, and T of GRC2R40B□□~GRC2R75B□□ is 7.9 ± 0.3 mm.

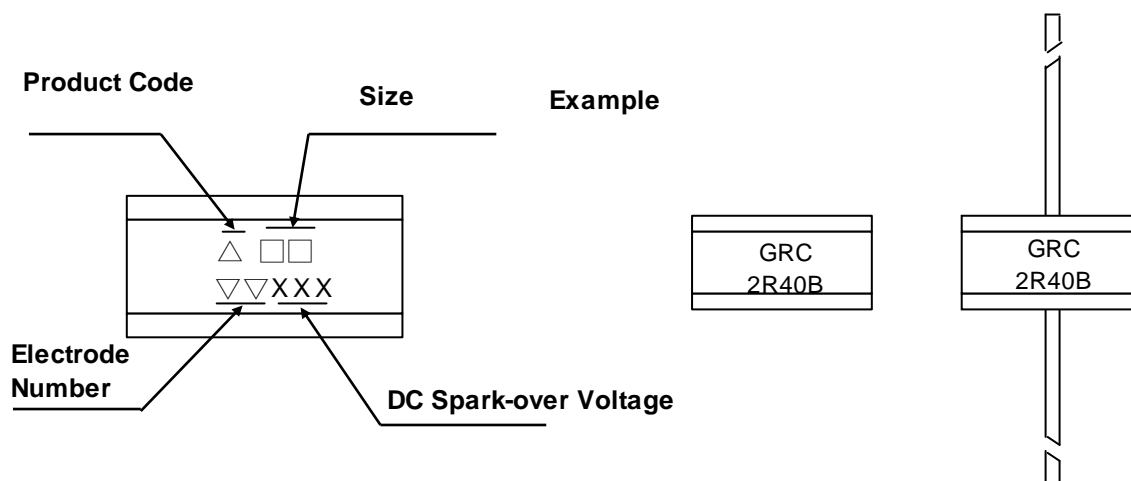
Marking



Note: T of GRC2R280□□~ GRC2R33B□□ parts is 6 ± 0.2 mm.

Gas Discharge Tube: GRC Series

2-Electrode $\Phi 8 \times T6/7.9$ mm High Voltage and Surge Type



Note: T of GRC2R40B□□~GRC2R65B□□ is 7.9 ± 0.3 mm

■ Packaging

● Bulk

- ◆ 8x6mm for Axial Lead (Y Type):

Quantity: 100pcs per PVC Box, and 500 pcs per Inner Box

- ◆ 8x7.9mm for Axial Lead (Y Type):

Quantity: 100pcs per PVC Box, and 500 pcs per Inner Box

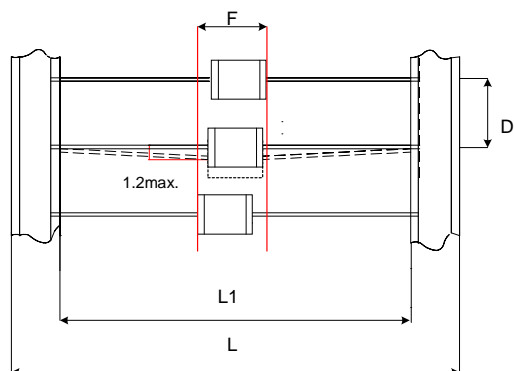
Gas Discharge Tube: GRC Series



2-Electrode $\Phi 8 \times T6/7.9$ mm High Voltage and Surge Type

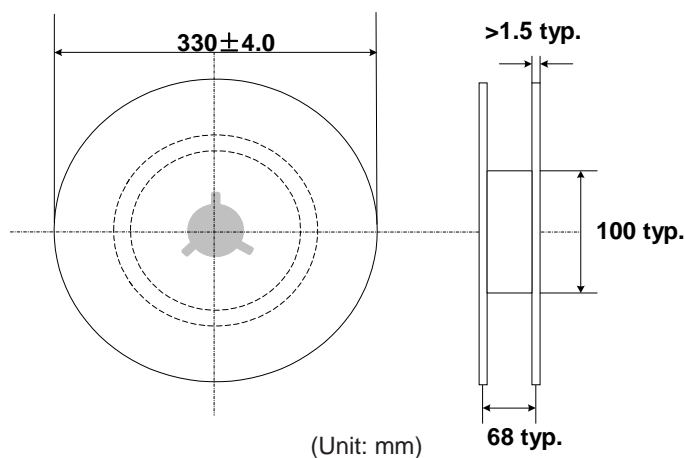
- Taping

For 2-electrode Axial Lead GDT: 500 PCS/Reel



(Unit: mm)

Item	Dimensions	
	Spec.	Tolerance
L1	52	± 2
L	64	± 3
D	10	± 0.5
F	T + 1.4	Max.



(Unit: mm)

■ Warehouse Storage Conditions of Products

- Storage Conditions:

1. Storage Temperature: $-10^{\circ}\text{C} \sim +40^{\circ}\text{C}$
2. Relative Humidity: $\leq 75\% \text{RH}$
3. Keep away from corrosive atmosphere and sunlight.

- Period of Storage: 1 year