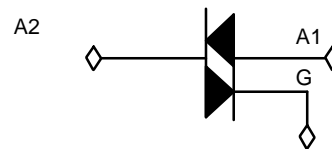


BTA/B 12 Serie Triacs

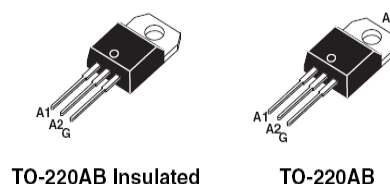
■ Feature

- ◆ The third quadrant sensitive trigger structure ,
The best match for commutating ability and gate sensitivity .
- ◆ Diffusion and glass passivated technology.
Ensure specification reliability and uniformity.
- ◆ Match the appropriate gate specification as high temperature requirement.



■ Main application

- ◆ Washing machine vacuum cleaner dimmer.remote switch .
- ◆ AC motor control equipment.
- ◆ Switching inductive load.



■ Outline and pin array

TO-220

■ Rate value (unless special shows , T_j=25°C)

Description	symbol	value	unit
Repetitive peak off-state voltage (T _j = -40 ~ 125°C) Half sine wave 50Hz, gate open -600	V _{DRM} V _{RPM}	600 600	V
Nominal RMS on-state current Full sine wave 50 Hz	I _{T(RMS)}	12	A
Non-repetitive peak surge current (junction temperature T _j =25°C) One cycle 50 Hz	I _{TSM}	120	A
Fuse current (t = 10 ms)	I ² t	78	A ² s
Gate average power (T _c = 80°C , t = 10 ms)	P _{G(AV)}	1	W
Gate peak current (t ≤ 2.0μ s)	I _{GM}	4	A
Work junction temperature	T _J	-40~ 125	°C
Storage temperature	T _{stg}	-40~ 150	°C



Tel: +86-514-87782298, 87782296 FAX:+86-514-87782297, 87367519
 E-mail:positioning@china.com; info@yzpst.com; info@stt.tm; info@goldstar.tm
 Web Site:www.yzpst.com www.stt.tm www.goldstar.tm www.Pst888.com
www.positioning.en.alibaba.com www.pst.manufacturer.globalsources.com

■ Thermal characteristics

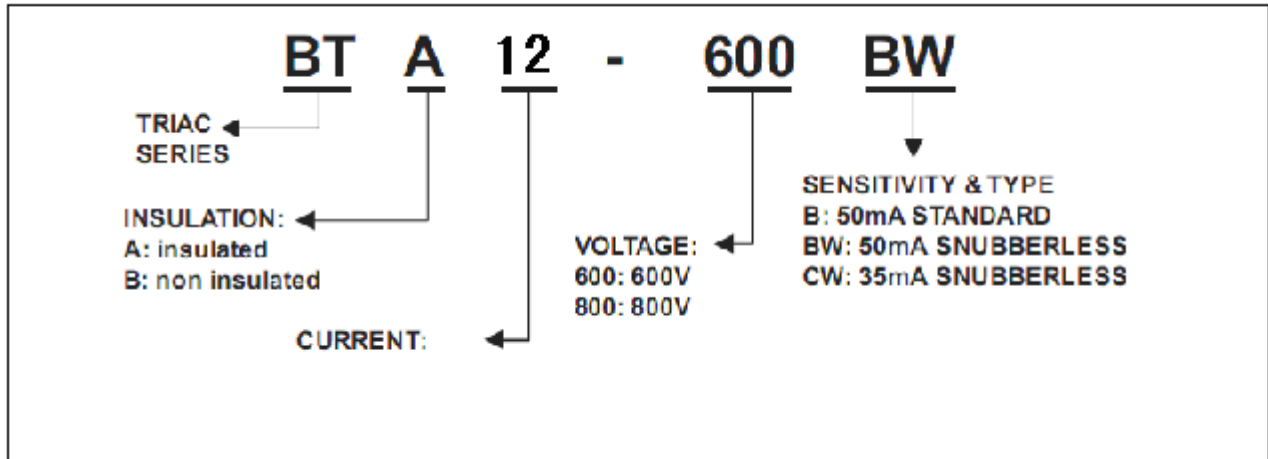
Description	Symbol	Max	Unit
Thermal resistance (junction to arround)	R_{jA}	60	$^{\circ}C/W$

■ Electic characteristics (unless special shows $T_j=25^{\circ}C$)

Description	Symbol	Min	Type	Max	Unit
Repetitive paek off-state current (VD = Rated VDRM,VRRM gate open) $T_j = 125^{\circ}C$	I_{DRM}, I_{RRM}	-	-	1	mA
Peak on-state Voltage (IT =12A)	V_T	-	1.4	1.6	V
Gate trigger current (VD = 12 V, RL =30 Ω) MT2(+), G(+) MT2(+), G(-) MT2(-), G(-) -CW	I_{GT}	-	-	35	mA
MT2(+), G(+)		-	-	35	
MT2(+), G(-)	-	-	35		
MT2(-), G(-)	-	-	35		
MT2(+), G(+) MT2(+), G(-) MT2(-), G(-) -BW	-	-	50		
MT2(+), G(-)	-	-	50		
MT2(-), G(-)	-	-	50		
Gate trigger voltage (VD = 12 V, RL =30 Ω) MT2(+), G(+) MT2(+), G(-) MT2(-), G(-) All serises	V_{GT}	-	-	1.5	V
Gate non-trigger voltage (VD = VDR, RL =3.3K Ω , $T_j = 125^{\circ}C$) All serises	V_{GD}	0.2	-	-	V
Hold current (Candution current IT=200mA)	I_H	-	-	50	mA

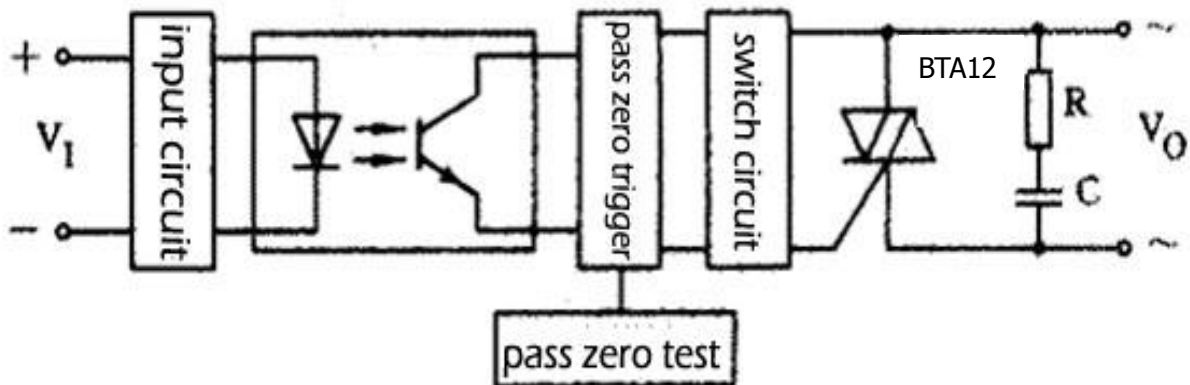


■ Type description



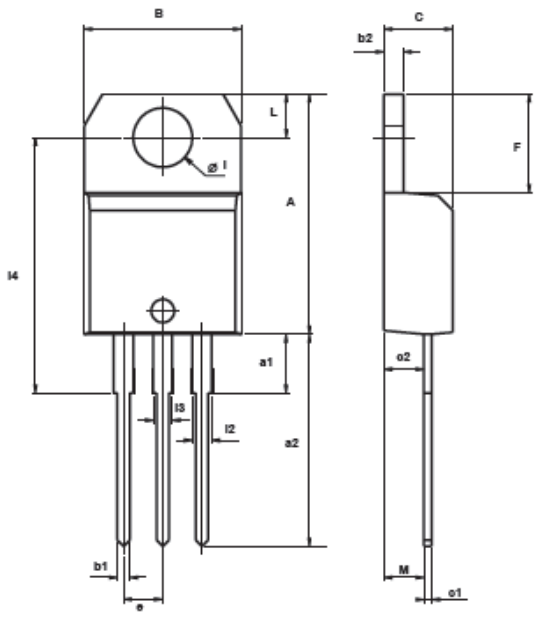
■ Example for typical application circuit

Application for SSR



PACKAGE MECHANICAL DATA

TO-220AB / TO-220AB Ins.



REF.	DIMENSIONS					
	Millimeters			Inches		
	Min.	Typ.	Max.	Min.	Typ.	Max.
A	15.20		15.90	0.598		0.625
a1		3.75			0.147	
a2	13.00		14.00	0.511		0.551
B	10.00		10.40	0.393		0.409
b1	0.61		0.88	0.024		0.034
b2	1.23		1.32	0.048		0.051
C	4.40		4.60	0.173		0.181
c1	0.49		0.70	0.019		0.027
c2	2.40		2.72	0.094		0.107
e	2.40		2.70	0.094		0.106
F	6.20		6.60	0.244		0.259
I	3.75		3.85	0.147		0.151
I4	15.80	16.40	16.80	0.622	0.646	0.661
L	2.65		2.95	0.104		0.116
I2	1.14		1.70	0.044		0.066
I3	1.14		1.70	0.044		0.066
M		2.60			0.102	



Tel: +86-514-87782298, 87782296 FAX: +86-514-87782297, 87367519
 E-mail: positioning@china.com; info@yzpst.com; info@stt.tm; info@goldstar.tm
 Web Site: www.yzpst.com www.stt.tm www.goldstar.tm www.Pst888.com
www.positioning.en.alibaba.com www.pst.manufacturer.globalsources.com