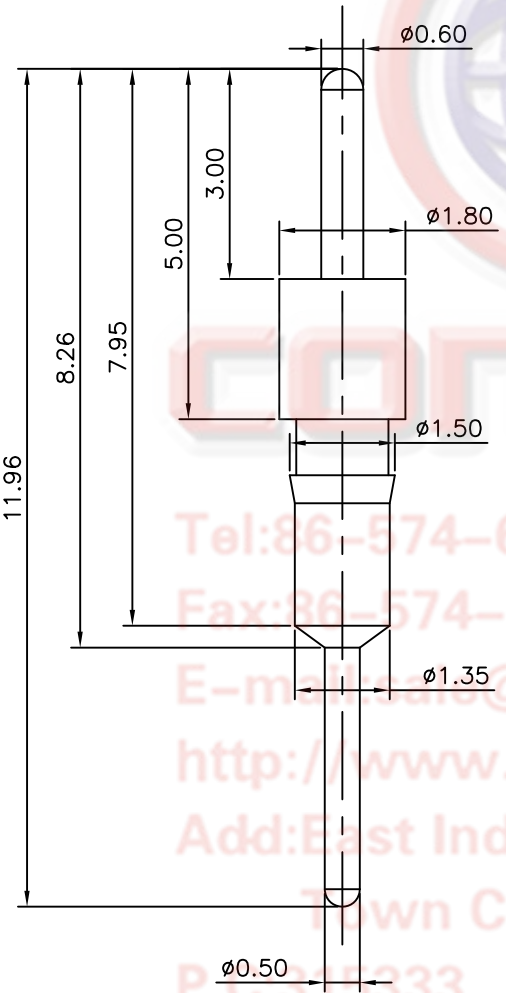


The information provided herein is from CONNELY Electronic Co., Ltd. and is confidential. Any disclosure to a party other than the recipient is prohibited. The intellectual properties and its rights contained herein, including but not limited to, trademarks, patents, copyrights, trade secrets, and technical know-how, are owned exclusively by CONNELY or its affiliates. Unauthorized use of this information in any format or manner. CONNELY may enforce its intellectual property rights at its own discretion; failures or delays to exercise such rights does not constitute a waiver of such rights.

1                      2                      3                      4                      5                      6                      7                      8

REV.	DESCRIPTION	DRAWN	CHECKED	APPROVED
A	NEW RELEASE	HP 08/31/05'		LJC 08/31/05'
B	UPDATE DIM.	JLZ 04/07/15'	HZW 04/07/15'	LJC 04/07/15'
C	DRAWING UPDATE	JLZ 05/27/16'	HZW 05/27/16'	LJC 05/27/16'
D	DRAWING UPDATE	JLZ 08/01/18'		



**TECHNICAL DATA**

- MATERIAL**  
Pin: Brass, Machined, CuZn38Pb2
- ELECTRICAL**  
Current Rating: 1A Per Pin max.  
Operating Voltage: 60V RMS max.
- PRODUCT NUMBER CODE:**

DS1006-11 - X

PIN PLATED  
6: Full Tin  
8: Full Gold flash

SERIES NO  
DS1006-11

Tel: 86-574-63508787  
 Fax: 86-574-63510817  
 E-mail: sales@connfly.com  
 http://www.connfly.com  
 Add: East Industry Zone KuangYan  
 Town Cixi Ningbo China  
 P.C.S 15333

GENERAL TOLERANCE		ANGLE TOLERANCE		PROJECTION		TITLE	BOARD TO BOARD TERMINALS 11.96mm	
X.	±0.60	X.	±5°	UNITS	mm			
.X	±0.38	.X	±3°	SHEET SIZE	A4	SERIES	DS1006-11 SERIES	
.XX	±0.25	.XX	±2°	<b>晨翔电子有限公司</b> <b>CONNFLY CONNELY ELECTRONIC CO. LTD</b>				
DRAWING TYPE		CUSTOMER						
SCALE	1:1	SHEET	1 OF 1					
DRAWING NO.		C-DS1006-11-X-D						

1                      2                      3                      4                      5                      6                      7                      8