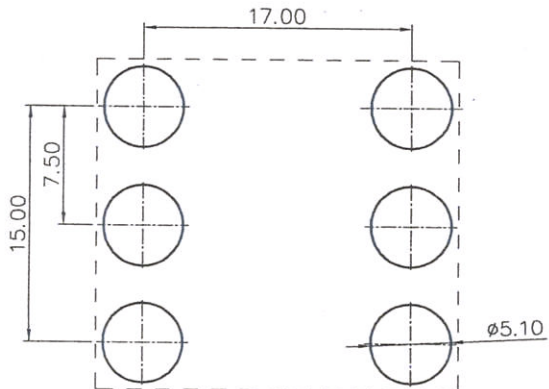
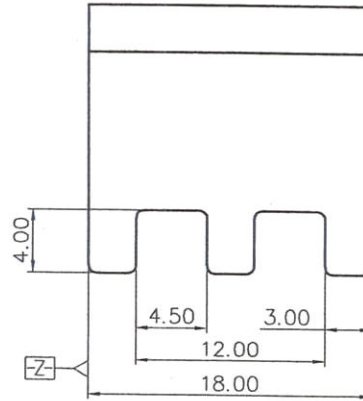
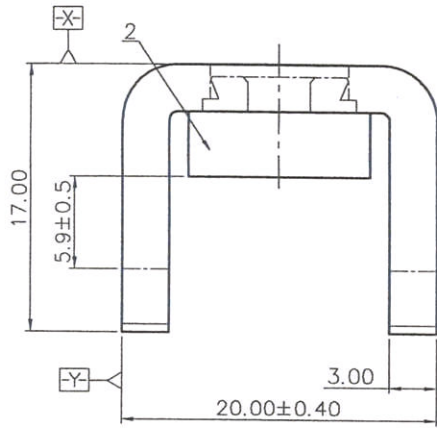
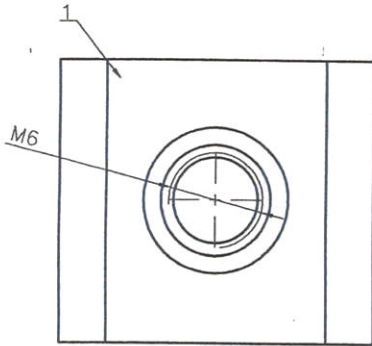


REVISION RECORD				
REV	ECN	DESCRIPTION	DRFT	DATE



PCB LAYOUT

NOTES:

- Rated Current : 200A
- Torque Value : M6 , 18Lb.in
- Dimension shall be interpreted per ASME Y14.5-2009
- Undimensioned Tolerances:

Pitch Range In mm		Nominal Dimension Range In mm					0.1/10
TO	Over TO	Over TO	TO	Over TO	Over TO	Over TO	
6	10	10	30	60	100	150	
±0.15	±0.20	±0.30	±0.30	±0.50	±0.70	±1.00	
						±1.30	
						±2'	

5.RoHS Compliance

奇策電業
2016.12.20
(收限内部使用,对外无效)

ITEM	NAME OF PART	MATERIAL	NOTES
2	Nut	Steel	Zn Plated
1	Pin header	Copper alloy	Sn Plated

DETACHED LISTS	PART NO.: /	宁波高松电子有限公司 NINGBO DEGSON ELECTRICAL CO., LTD		
	APPD: <i>Aaron/17.10</i>	NAME: K41-00A(H)		
	CHKD: <i>XXI 12/17/16</i>	TITLE: CUSTOMER DRAWING		
	DRFT: ZX 11/15/16"	DRAWING NO.: K41-C01	REV	TO
		MM (INCH)	DO NOT SCALE DRAWING	SCALE 1:1