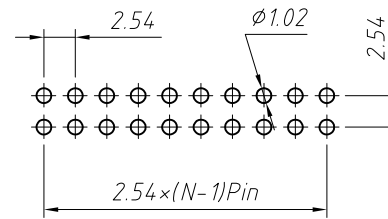
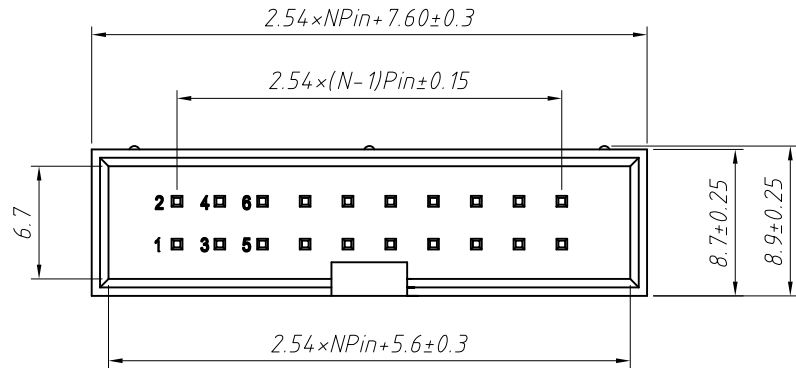


RoHS Compliance

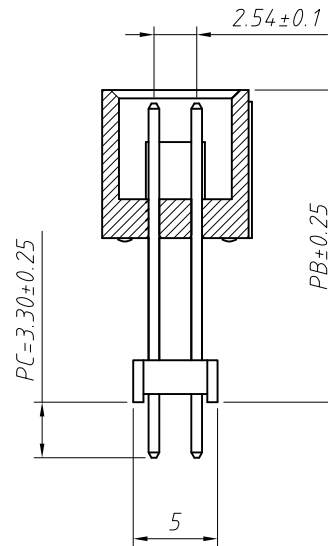
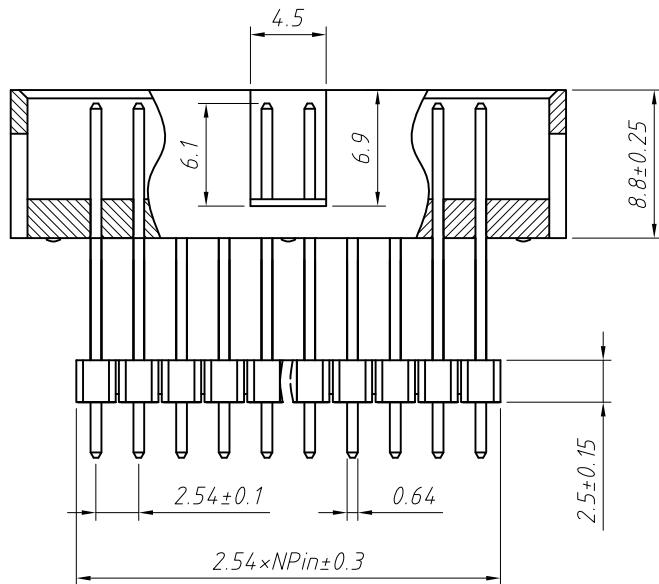


Recommended P.C.B Layout (Top Side)  
(PCB BOARD TOLERANCE±0.05)

**Material:**  
Housing:PA6T,UL 94V-0  
Contact:Brass  
Plating:Gold plated 0.8u"

**Electrical Characteristics:**  
Rated Current: 3.0AMP  
Contact Resistance: 20mΩ Max  
Withstand Voltage: 1000V AC/DC  
Insulator Resistance: 1000MΩ Min

**Mechanical**  
Operating Temperature: -40°C ~ +105°C  
Max.Processing Temp:230°C for 30-60 seconds (260°C for 10 seconds)



**Order Information:**

L-KLS1-202K1-XX-S-B-PB×PC-□

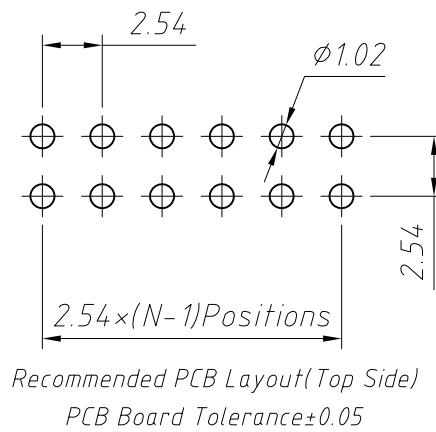
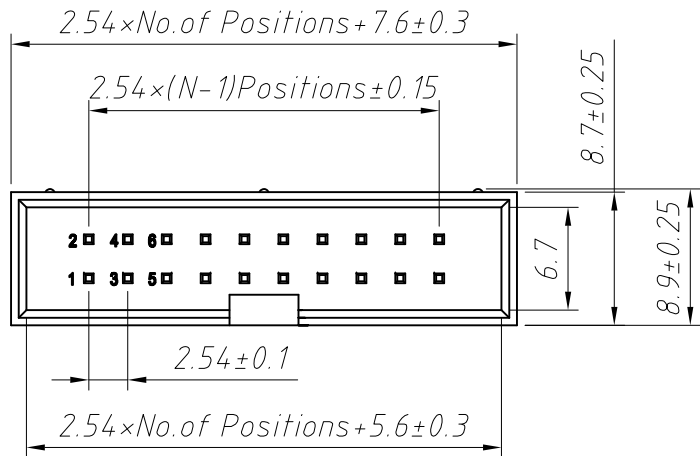
L: RoHS  
Box Header Series  
202K1:2.54mm Pitch  
XX-No. of 06 ~ 64 pins  
Type:S-Straight pin  
T-SMT  
Color:B-Black G-Gray  
Size:PB×PC  
Material:NONE=PA6T  
A=PBT C=LCP

Dimension antitheses list		
ITEM	PC	PB
Standard	3.30	---
Alternate	---	---

ANGLE TOLERANCE	PROJECTION	Description:
±3°		2.54mm Pitch Box Header Connector
GENERAL TOLERANCE	UNITS	mm
x.x ±0.30	SHEET SIZE	A4
x.xx ±0.20	Draw:	Daniel 2018-07-10
x.xxx ±0.10	Check:	Daniel 2018-07-10

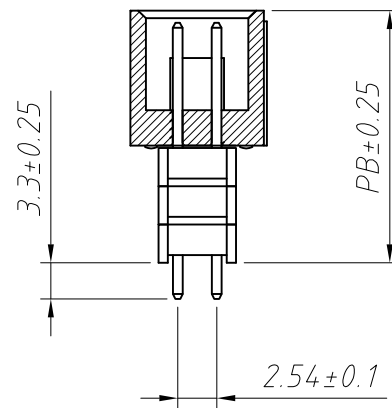
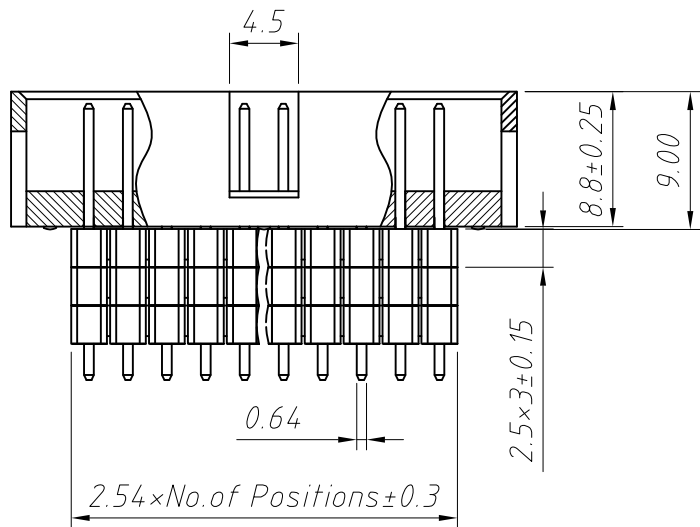


NingBo KLS ELECTRONIC CO.,L TD.



**Material:**  
 Contact: Brass, Au or Sn Over Ni  
 Insulator: Polyester (UL94V-0)  
 Standard: PBT / PA6T  
 Max. Processing Temp:  
 230°C for 30-60 seconds  
 (260°C for 10 seconds)

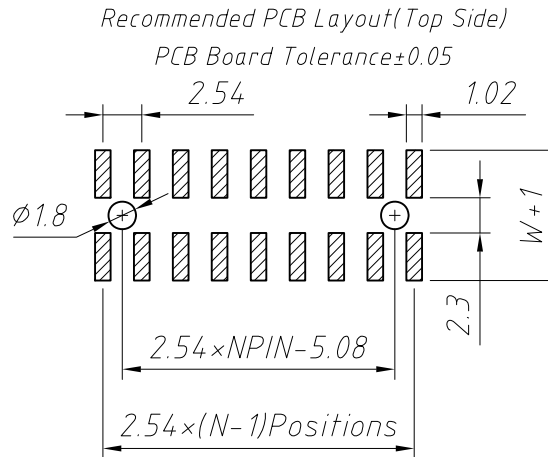
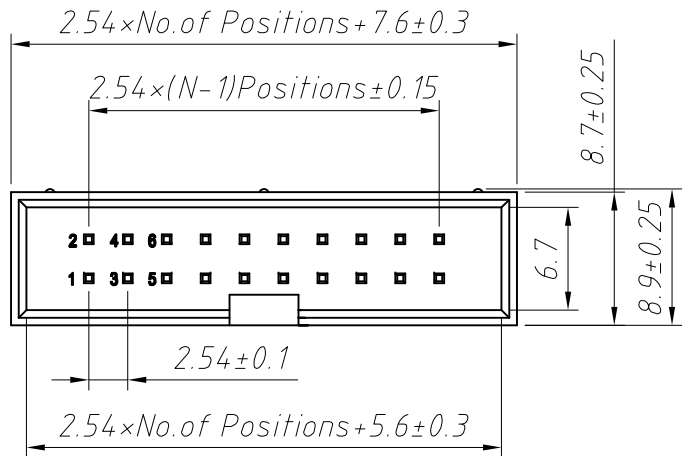
**Technical parameters:**  
 Rated Current: 3.0AMP  
 Contact resistance: 20mΩ, max  
 Withstand voltage: 1000V AC/DC  
 Insulation resistance: 1000MΩ, min  
 Operating Temperature: -40°C ~ 105°C



**Order Information:**  
 L-KLS1-202K-XX-S-B-PB-□  
 L: RoHS  
 Box Header Series  
 202K: 2.54mm Pitch  
 XX-No. of 06 ~ 64 pin  
 Type: S-Straight pin  
 Color: B-Black G-Gray  
 Size: PB  
 Material: NONE=PA6T  
 A=PBT C=LCP

Dimension antitheses list (mm)		
ITEM	PB	Plastic Height
Standard	11.30	8.80
Standard	13.80	8.80
Standard	16.30	8.80

GENERAL TOLERANCE	PROJECTION		Description:
X. ±0.50	UNITS	mm	2.54mm Box Header H8.8mm connector
.X ±0.25	SCALE	1:1	
.XX ±0.10	Draw by:	Jenny	
ANGLE TOLERANCE	Check by:		KLS P/N: L-KLS1-202K-XX-S-B-PB-□
X. ±5°	Date	2018-03-01	NingBo KLS ELECTRONIC CO.,L TD.
.X ±3°	SHEET	1 OF 1	
.XX ±2°			



**Material:**

Contact: Brass, Au or Sn Over Ni

Insulator: Polyester (UL94 V-0)

Standard: PA6T

Max. Processing Temp:

230°C for 30-60 seconds

(260°C for 10 seconds)

**Technical parameters:**

Rated Current: 3.0 AMP

Contact resistance: 20mΩ, max

Withstand voltage: 1000V AC/DC

Insulation resistance: 1000MΩ, min

Operating Temperature: -40°C ~ 105°C

**Order Information:**

L-KLS1-202K-XX-T-B-PB×W-□-T

L: RoHS

Box Header Series

202K: 2.54mm Pitch

XX-No. of 06 ~ 64 pin

SMT: T=Without Post

T3=With Post

Color: B-Black G-Gray

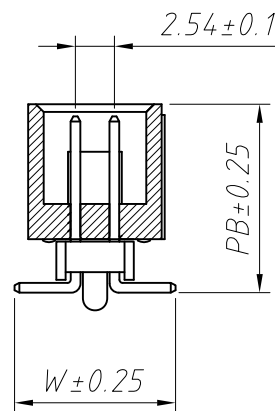
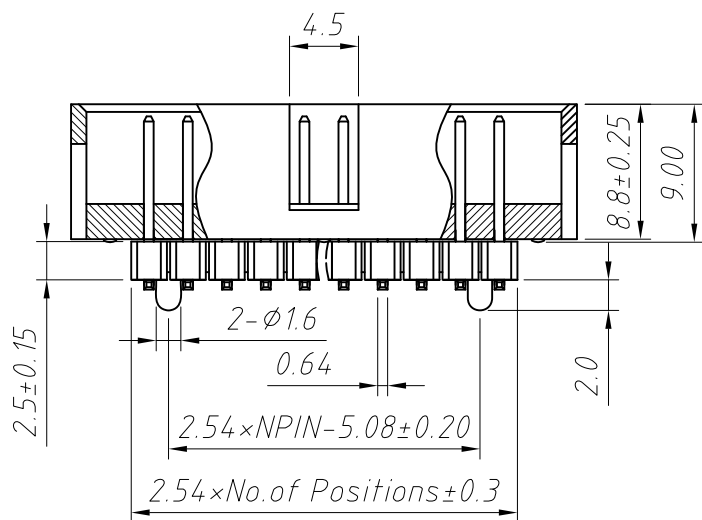
Size: PB×W

Material: NONE=PA6T

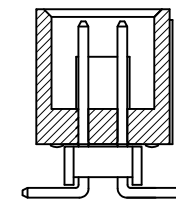
A=PBT C=LCP

Packing:

T=Tube P=Tube+Cap R=Reel+Cap



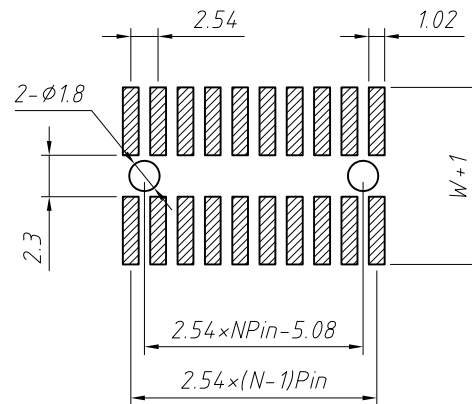
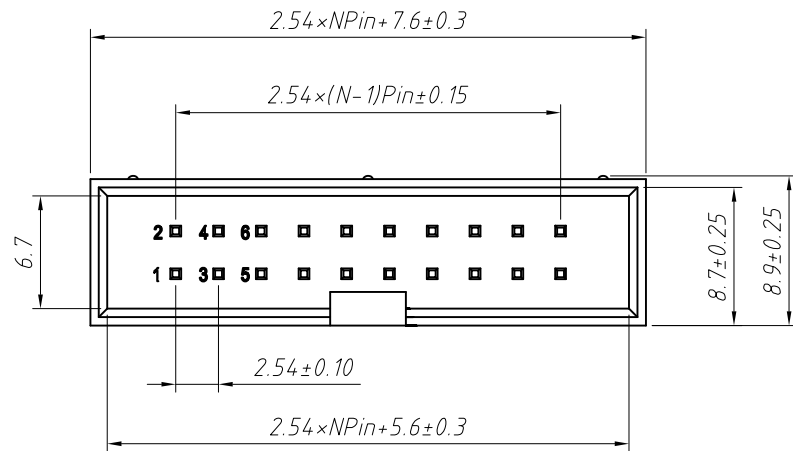
T3=With Post



Dimension antitheses list (mm)			
ITEM	PB	W	Plastic Height
Standard	12.80	9.50	8.80
NON Standard			

GENERAL TOLERANCE	PROJECTION		Description:
.X. $\pm 0.50$	UNITS	mm	2.54mm Box Header H8.8mm connector
.X $\pm 0.25$	SCALE	1:1	
.XX $\pm 0.10$	Draw by:	Jenny	
ANGLE TOLERANCE	Check by:		KLS P/N: L-KLS1-202K-XX-T-B-PB×W-□-T
.X. $\pm 5^\circ$	Date	2018-03-01	NingBo KLS ELECTRONIC CO.,L TD.
.X $\pm 3^\circ$	SHEET	1 OF 1	
.XX $\pm 2^\circ$			

RoHS Compliance

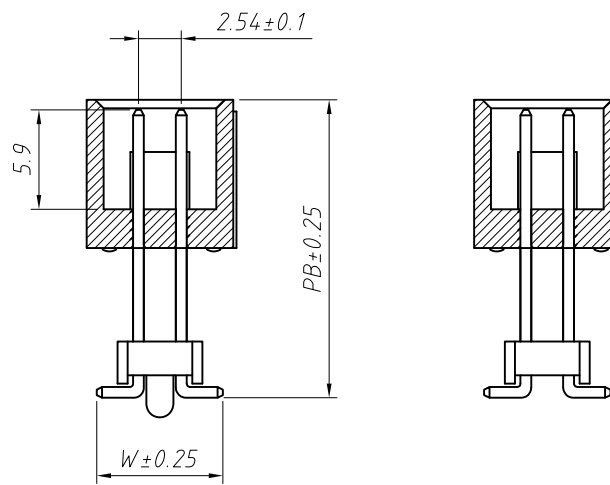
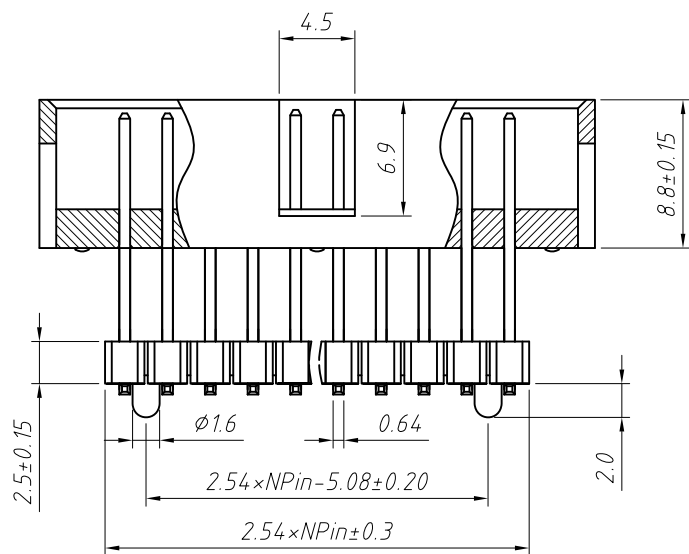


Recommended P.C.B Layout (Top Side)  
(PCB BOARD TOLERANCE ±0.05)

Material:  
Housing: PA6T, UL94V-0  
Contact: Brass  
Plating: Gold plated 0.8u"

Electrical Characteristics:  
Rated Current: 3.0AMP  
Contact Resistance: 20mΩ Max  
Withstand Voltage: 1000V AC/DC  
Insulator Resistance: 1000MΩ Min

Mechanical  
Operating Temperature: -40°C ~ +105°C  
Max. Processing Temp: 230°C for 30-60 seconds (260°C for 10 seconds)



T3=With Post

T=Without Post

Order Information:

L-KLS1-202K1-XX-T-B-PBxW-□-T

L: RoHS  
Box Header Series  
202K1: 2.54mm Pitch  
XX-No. of 06~64 pins  
SMT: T=Without Post  
T3=With Post  
Color: B-Black G-Gray  
Size: PBxW  
Material: NONE=PA6T  
A=PBT C=LCP  
Packing: \_\_\_\_\_  
T=Tube P=Tube+Cap R=Reel+Cap

Dimension antitheses list (mm)			
ITEM	PB	W	Plastic Height
Standard	21.00	9.50	8.80
NON Standard			

ANGLE TOLERANCE	PROJECTION	Description:
±3°		2.54mm Pitch Box Header Connector
GENERAL TOLERANCE	UNITS	mm
x.x ±0.30	SHEET SIZE	A4
x.xx ±0.20	Draw:	Daniel 2018-07-10
x.xxx ±0.10	Check:	Daniel 2018-07-10



NingBo KLS ELECTRONIC CO.,L.TD.