

NFM21PS106B0J3#

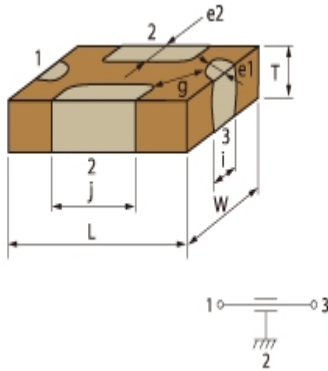
“#” indicates a package specification code.



< List of part numbers with package codes >

NFM21PS106B0J3D

Appearance & Shape



References

Packaging	Specifications	Standard Packing Quantity
D	180mm Paper Tape	4000

Mass (typ.)	
1 piece	13.0mg

Attention

- 1.This datasheet is downloaded from the website of Murata Manufacturing Co., Ltd. Therefore, it's specifications are subject to change or our products in it may be discontinued without advance notice. Please check with our sales representatives or product engineers before ordering.
- 2.This datasheet has only typical specifications because there is no space for detailed specifications. Therefore, please review our product specifications or consult the approval sheet for product specifications before ordering.

NFM21PS106B0J3#

“#” indicates a package specification code.



Specifications

Length	2.0±0.2mm
Width	1.25±0.1mm
Thickness	0.85±0.1mm
Capacitance	10μF ±20%
Distance between external terminals g	0.2mm min.
DC Resistance(max.)	10mΩ
External terminal size e1	0.2+0.2/-0.1mm
External terminal size e2	0.2+0.2/-0.1mm
External terminal size i	0.6±0.2mm
External terminal size J	1.2±0.3mm
Operating Temperature Range	-40°C to 85°C
Rated Current	4A
Rated Voltage	6.3Vdc
Size code in inch(mm)	0805 (2012M)

Attention

1.This datasheet is downloaded from the website of Murata Manufacturing Co., Ltd. Therefore, it's specifications are subject to change or our products in it may be discontinued without advance notice. Please check with our sales representatives or product engineers before ordering.

2.This datasheet has only typical specifications because there is no space for detailed specifications.

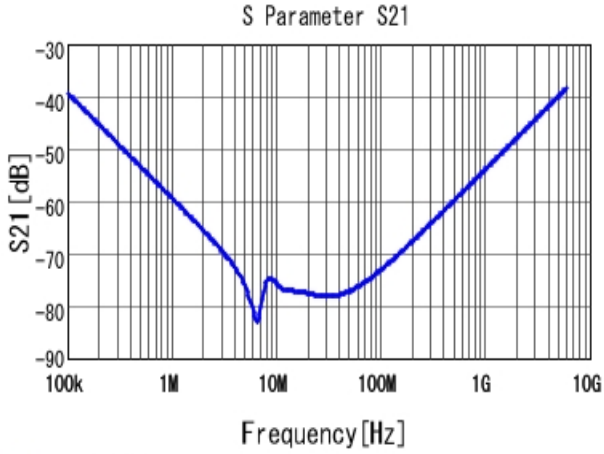
Therefore, please review our product specifications or consult the approval sheet for product specifications before ordering.

NFM21PS106B0J3#

“#” indicates a package specification code.

Characteristic Data

The charts below may show another part number which shares its characteristics.



■ NFM21PS106B0J3 S21 DC0V, 25degC, Feedthrough

Attention

- 1.This datasheet is downloaded from the website of Murata Manufacturing Co., Ltd. Therefore, it's specifications are subject to change or our products in it may be discontinued without advance notice. Please check with our sales representatives or product engineers before ordering.
- 2.This datasheet has only typical specifications because there is no space for detailed specifications. Therefore, please review our product specifications or consult the approval sheet for product specifications before ordering.