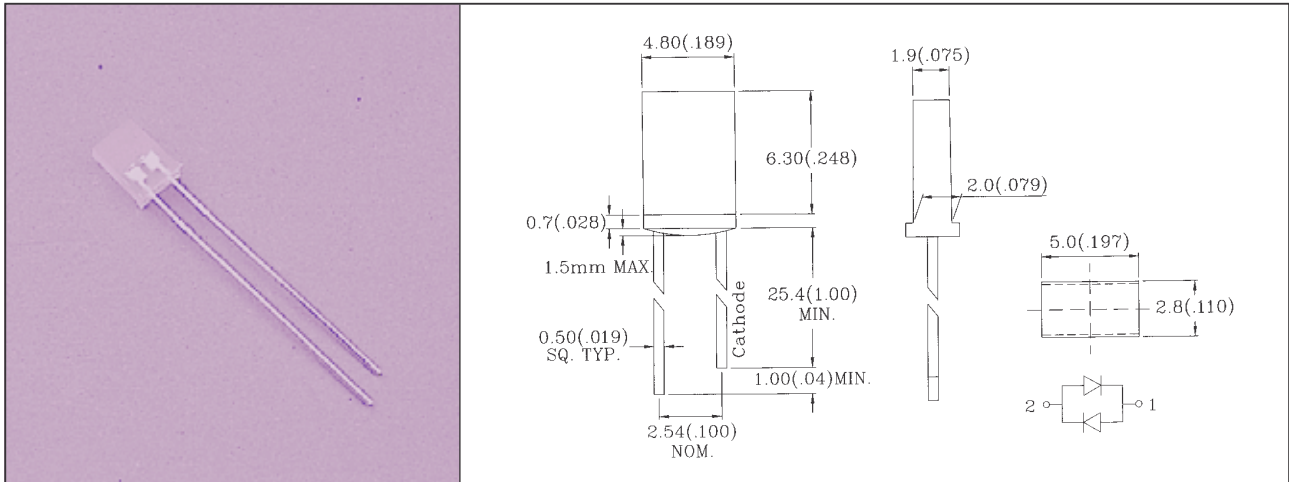
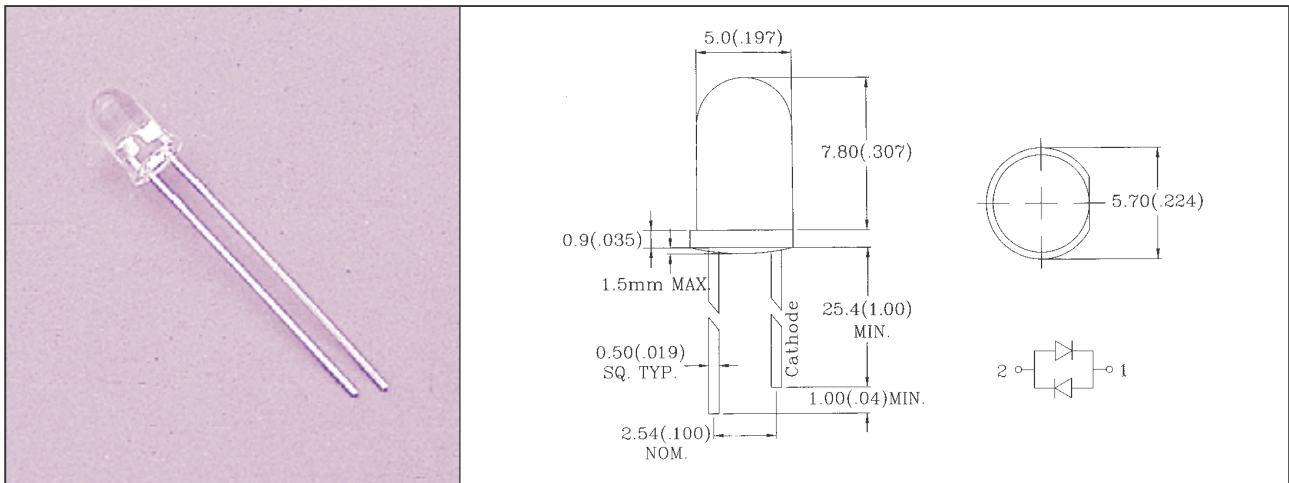


L-417XX 2.0x5.0x7.0 mm RECTANGULAR LED LAMP, DUAL CHIP (BI POLAR)



Part No.	Chip		Lens Color	Wave Length λ p(nm)	Electro-Optical Characteristics			View Angle (deg)
	Raw Material	Emitted Color			Vf(V)20mA		lv(mcd)20mA	
					Typ.	Max.	Typ.	
L-417GYW	GaP	Green	White Diffused	565	2.2	2.8	3.5	120
	GaAsP/GaP	Yellow		585	2.1	2.8	3.5	
L-417EGW	GaAsP/GaP	Hi.effi Red	White Diffused	635	2.1	2.8	5.0	120
	GaP	Green		565	2.2	2.8	3.5	

L-517XX 5.0 mm Dia LED LAMP, DUAL CHIP (BI POLAR)



Part No.	Chip		Lens Color	Wave Length λ p(nm)	Electro-Optical Characteristics			View Angle (deg)
	Raw Material	Emitted Color			Vf(V)20mA		lv(mcd)20mA	
					Typ.	Max.	Typ.	
L-517GYW	GaP	Green	White Diffused	565	2.2	2.8	7.0	120
	GaAsP/GaP	Yellow		585	2.1	2.8	12.0	
L-517EGW	GaAsP/GaP	Hi.effi Red	White Diffused	635	2.1	2.8	10.0	120
	GaP	Green		565	2.2	2.8	7.0	

- 1.All dimension are in millimeters (inches).
- 2.Tolerance is ± 0.25 mm (0.01") unless otherwise specified.