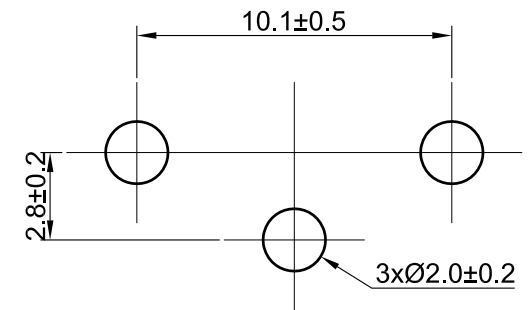
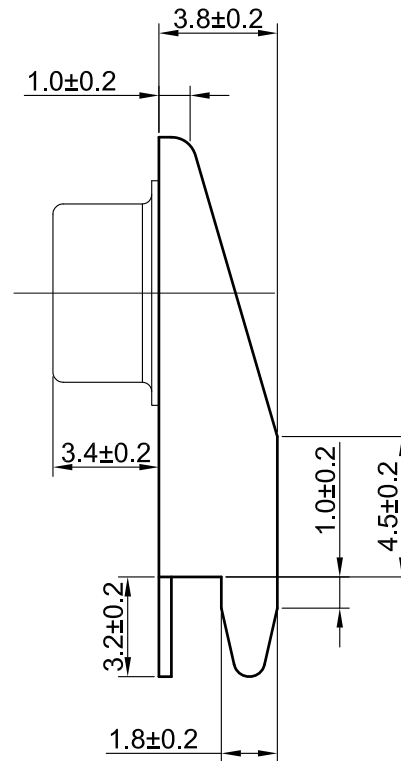
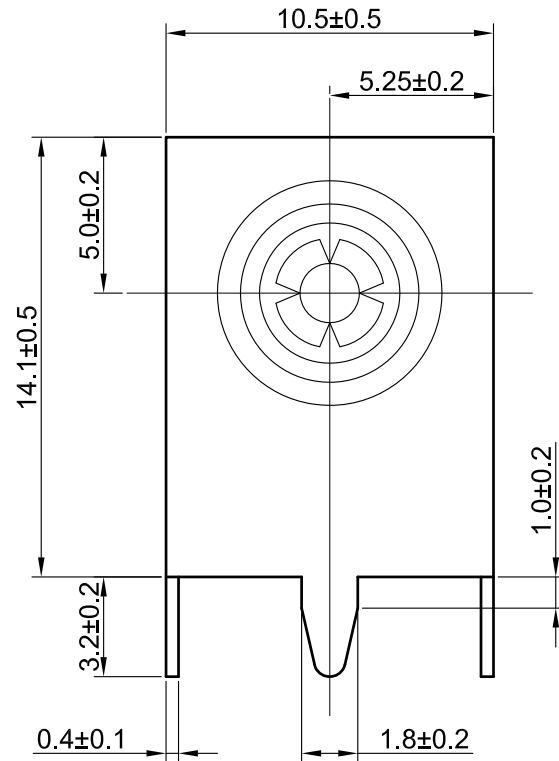


REV	DESCRIPTION	DATE
A0	INITIAL RELEASE	2014-11-21



PCB Mounting Layout

NOTES:

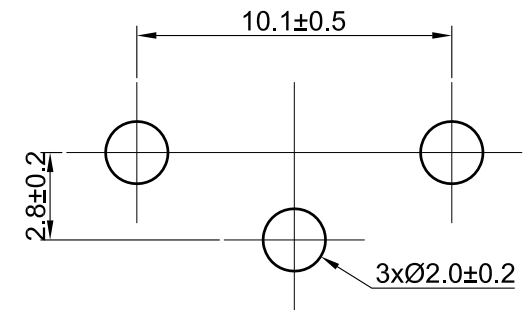
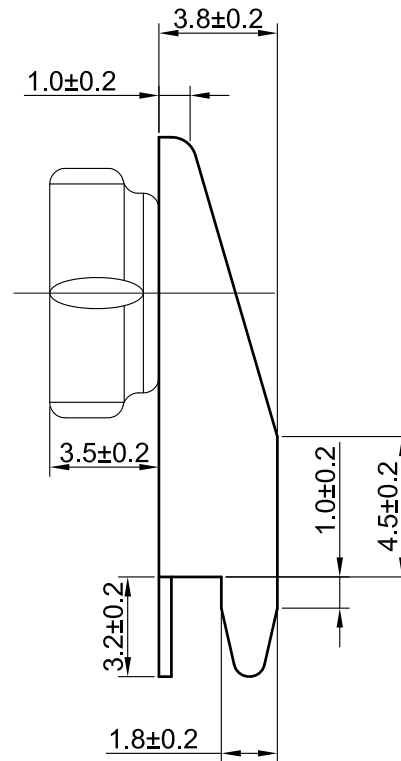
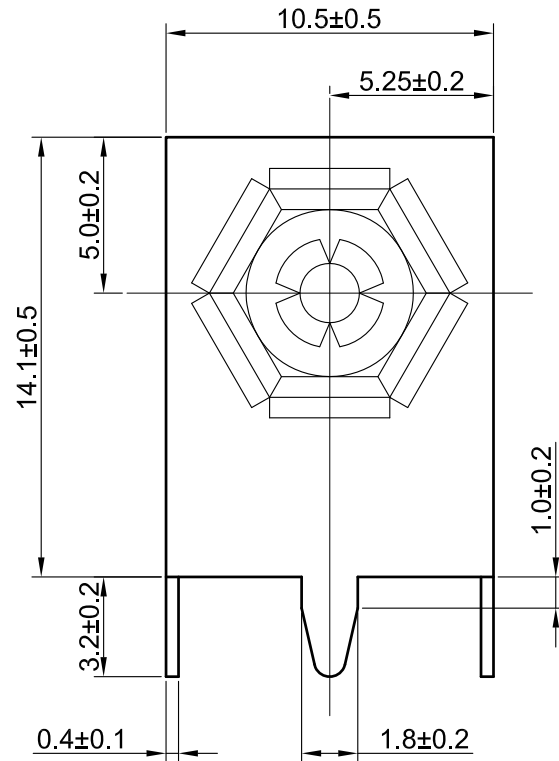
1. MATERIAL:
 - a. 0.40MM THICK IRON NICKEL PLATED
2. ELECTRIC:
 - a. CURRENT RATING : 3A (AC/DC)
 - b. DIELECTRIC VOLTAGE: 500V AC ONE SEC LEVEL
 - c. CONTACT RESISTANCE: 30 MILLIOHMS MAX
 - d. INSULATION RESISTANCE: 100 MILLIOHMS MIN
 - e. OPERATING TEMPERATRUE: -40° ~ +105°
 - f. HUMIDITY: 40° C AND 90-95% RH FOR 48 HOURS
3. RoHS COMPLIANT

NINGBO KLS ELECTRONIC CO.,LTD			
MATERIAL: SEE NOTES		DESIGN BY Zhang jianbing	DATE 2014/11/20
FINISH: SEE NOTES		CHECKED BY Wang quchun	DATE 2014/11/21
		APPROVED BY Zhu changyan	DATE 2014/11/21
UNLESS OTHERWISE SPECIFIED TOLERANCES		TITLE BATTERY CLIP	
DECIMALS		DWG NO.	
X	: ±0.30	L-KLS5-BC9V-07A/B	
X.X	: ±0.25	REVISION	
X.XX	: ±0.20	A0	
X.XXX	: ±0.10	UNIT	
THIRD-ANGLE PROJECTION		SCALE	SHEET
		4:1	1 OF 1

UNLESS OTHERWISE SPECIFIED TOLERANCES	
DECIMALS	ANGLES
X : ±0.30	X : ±3°
X.X : ±0.25	X.X : ±1°
X.XX : ±0.20	
X.XXX : ±0.10	
 THIRD-ANGLE PROJECTION	

these drawings and specifications are the property of
are Issued in strict confidence and shall not be reproduced,
or copied, or used as the basis for the manufacture, or sale of
apparatus without prior written permission

REV	DESCRIPTION	DATE
A0	INITIAL RELEASE	2014-11-21



PCB Mounting Layout

NOTES:

1. MATERIAL:
 - a. 0.40MM THICK IRON NICKEL PLATED
2. ELECTRIC:
 - a. CURRENT RATING : 3A (AC/DC)
 - b. DIELECTRIC VOLTAGE: 500V AC ONE SEC LEVEL
 - c. CONTACT RESISTANCE: 30 MILLIOHMS MAX
 - d. INSULATION RESISTANCE: 100 MILLIOHMS MIN
 - e. OPERATING TEMPERATRUE: -40° ~ +105°
 - f. HUMIDITY: 40° C AND 90-95% RH FOR 48 HOURS
3. RoHS COMPLIANT

NINGBO KLS ELECTRONIC CO.,LTD			
MATERIAL: SEE NOTES		DESIGN BY Zhang jianbing	DATE 2014/11/20
FINISH: SEE NOTES		CHECKED BY Wang quchun	DATE 2014/11/21
		APPROVED BY Zhu changyan	DATE 2014/11/21
UNLESS OTHERWISE SPECIFIED TOLERANCES		TITLE BATTERY CLIP	
DECIMALS		DWG NO. L-KLS5-BC9V-07A/B	
ANGLES		REVISION A0	
X : ±0.30		UNIT MM	
X.X : ±0.25		SCALE 4:1	
X.XX : ±0.20		SHEET 1 OF 1	
X.XXX : ±0.10			
THIRD-ANGLE PROJECTION			
these drawings and specifications are the property of Ningbo KLS Electronic Co., Ltd. and shall not be reproduced, or copied, or used as the basis for the manufacture, or sale of apparatus without prior written permission.			