

NO.	DESCRIPTION	DRAWN	DATE
2	ADD PACKING & DIMENSIONS TABLE	FROS	2014/12/19
3	ADD PAGE 4, SLUG HOLE NOTES	FROS	2015/08/11
4	REVISED PACKING	FROS	2015/11/23


**SPECIFICATION:**

1. ELECTRICAL
  - 1.1 Current Rating: 0.5A per pin
  - 1.2 Voltage Rating: 50V DC
  - 1.3 Contact Resistance: 55mΩ Max
  - 1.4 Insulation Resistance: 500MΩ Min
  - 1.5 Dielectric Withstanding Voltage: 300VAC
2. MECHANICAL
  - 2.1 Durability: 100 Cycle
  - 2.2 Insertion Force: 2.3Kgf max.
  - 2.3 Extraction Force: 2.3Kgf max.
3. ENVIRONMENTAL
  - 3.1 Operating temperature range: -40°C~+85°C
  - 3.2 Storage temperature range: -40°C~+85°C
4. SOLDER ABILITY
  - 4.1 Recommended IR Reflow Temperature: 260°C 10Sec

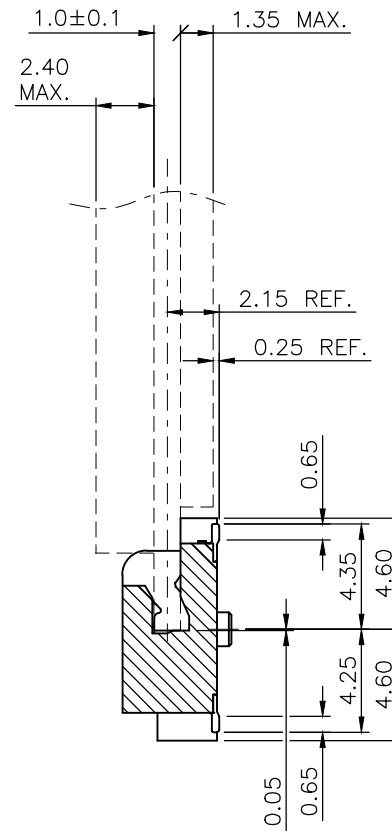
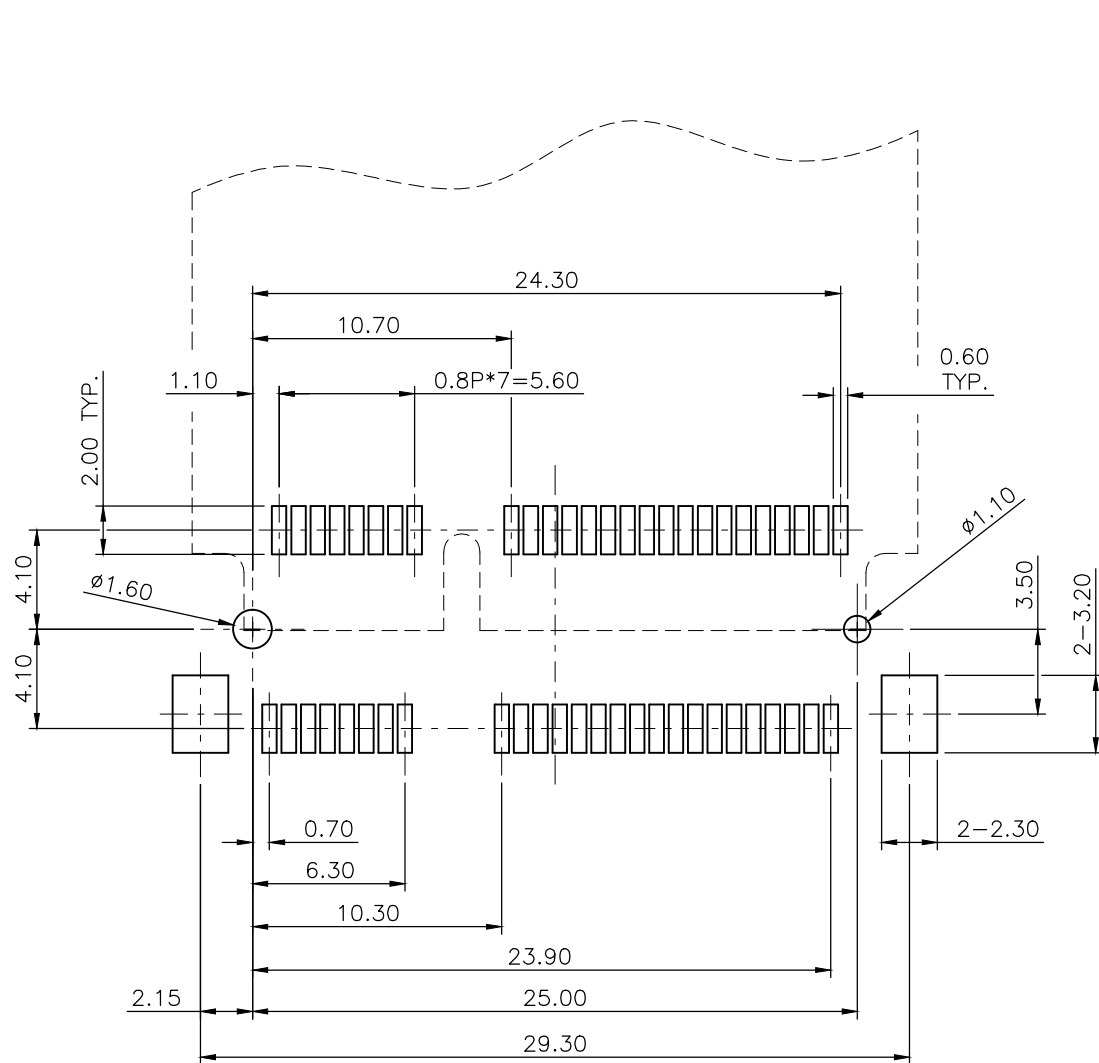
DIMENSIONS TABLE		
A	B	P/N
4.0	0.7	119A-40A00-R04
5.6	0.5	119A-56A00-R04

NOTE: 1  
 DATE CODE: 3 3 4 1  
 YEAR 2013 DAY 1 AT WEEK  
 WEEK 34

3	HOLDDOWN	Brass C2680, Tin Plated
2	CONTACT	Phosphor Bronze C5210, Contact Area: Gold Flash Over Nickel
1	HOUSING	LCP UL94V-0, Black

NO. PART NAME		DESCRIPTION		
UNLESS OTHERWISE SPECIFIED TOLERANCE				
UNIT:	DECIMAL	LINEAR	ANGLES	
	X.	±0.50	±5°	
	X.X	±0.25	±3°	
	X.XX	±0.12	±1°	
 WWW.ATTEND.COM.TW				
DRAWN	Fros	2014/12/12	DRAWN NAME: Mini PCI Express Socket H:X.Xmm	
CHECKED	Ron	2014/12/12		
APPROVED	Albert	2014/12/12	PRODUCT NO. SEE P/N TABLE	
SCALE 3.2		SHEET 1/4	SIZE A4	FILE NAME 119A-XXA00-R04_B_4


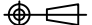
NO.	DESCRIPTION	DRAWN	DATE
	SEE SHEE 1		



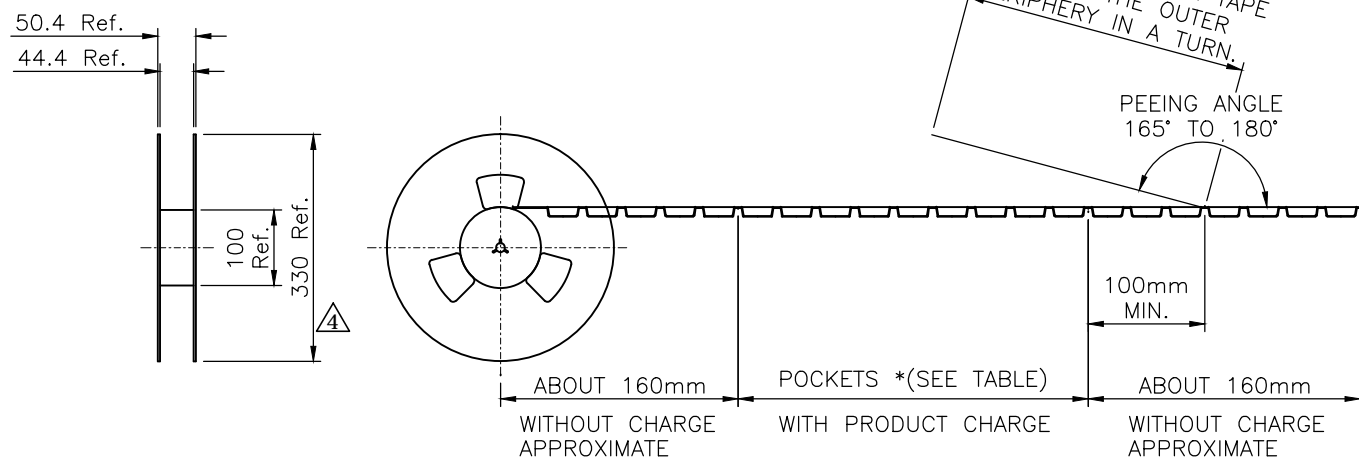
RECOMMEND PCB LAYOUT, TOP VIEW

----- IS CARD  
 \_\_\_\_\_ IS PAD LAYOUT

GENERAL TOLERANCE: ±0.05

UNLESS OTHERWISE SPECIFIED TOLERANCE				 <b>ATTEND</b> WWW.ATTEND.COM.TW
UNIT:	DECIMAL	LINEAR	ANGLES	
mm	X.	±0.50	±5°	
	X.X	±0.25	±3°	
	X.XX	±0.12	±1°	
DRAWN	Fros	2014/12/12	DRAWN NAME:	
CHECKED	Ron	2014/12/12	Mini PCI Express Socket H:X.Xmm	
APPROVED	Albert	2014/12/12	PRODUCT NO.	SEE P/N TABLE
	SCALE 3.2	SHEET 2/4	SIZE A4	FILE NAME 119A-XXA00-R04_B_4

NO.	DESCRIPTION	DRAWN	DATE
	SEE SHEE 1		

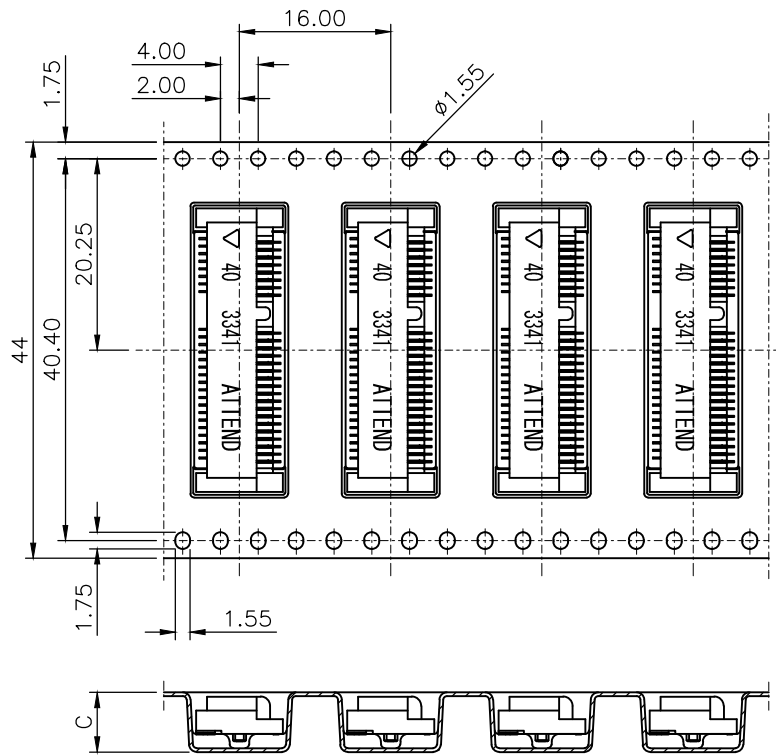


**NOTE:**

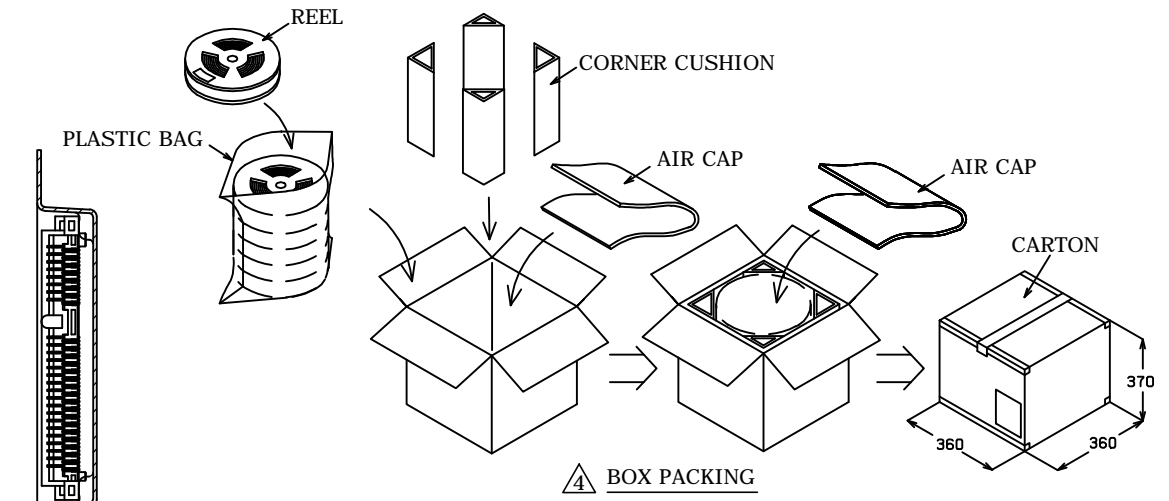
1. PEELING RESISTANCE: 0.1N~0.13N (10gf~130gf)  
PEELING ANGLE: 165°~180°  
PEELING SPEED: 300mm/min.
2. PACKING STYLE  
6 REEL/CARTON

PACKING TABLE		
P/N	Q'TY/ REEL	Q'TY/ CARTON
119A-40A00-R04	700 PCS	4,200 PCS
119A-56A00-R04	550 PCS	3,300 PCS

REEL DIMENSIONS  
SCALE 1/10



\*SEE TABLE



DIMENSIONS TABLE	
C	P/N
6.30	119A-40A00-R04
7.90	119A-56A00-R04

UNLESS OTHERWISE SPECIFIED TOLERANCE			
UNIT:	DECIMAL	LINEAR	ANGLES
mm	X.	±0.50	±5°
	X.X	±0.25	±3°
	X.XX	±0.12	±1°



WWW.ATTEND.COM.TW

DRAWN NAME: Mini PCI Express Socket H:X.Xmm

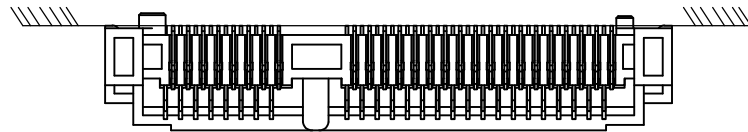
PRODUCT NO. SEE P/N TABLE

FILE NAME 119A-XXA00-R04\_B\_4

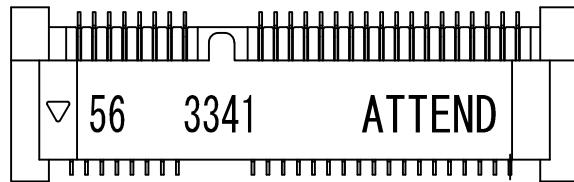
DRAWN	Fros	2014/12/12
CHECKED	Ron	2014/12/12
APPROVED	Albert	2014/12/12
SCALE	1.25	SHEET 3/4
SIZE	A4	

NO.	DESCRIPTION	DRAWN	DATE
	see sheet one		

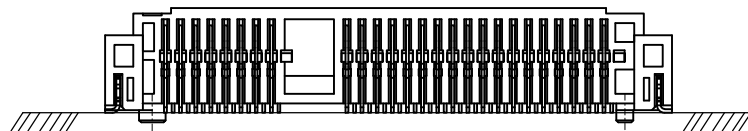
## 119A-56A00-R04



FRONT SIDE

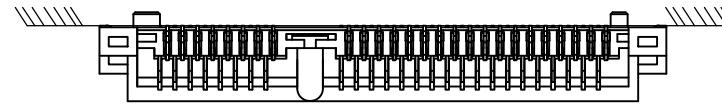


TOP VIEW

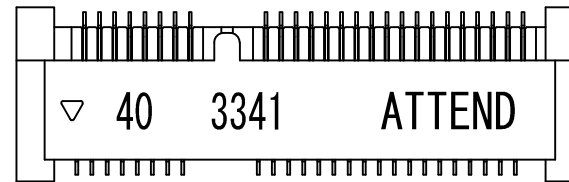


BACK SIDE

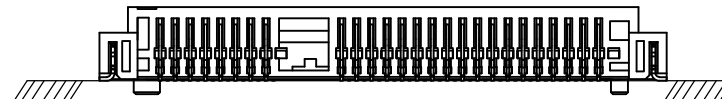
## 119A-40A00-R04



FRONT SIDE



TOP VIEW



BACK SIDE

### SLUG HOLE NOTES

UNLESS OTHERWISE SPECIFIED TOLERANCE			
UNIT:	DECIMAL	LINEAR	ANGLES
mm	X.	±0.50	±5°
	X.X	±0.25	±3°
	X.XX	±0.12	±1°
DRAWN	Fros	2014/12/12	DRAWN NAME: Mini PCI Express Socket H:X.Xmm
CHECKED	Ron	2014/12/12	
APPROVED	Albert	2014/12/12	
SCALE	2.5	SHEET	4/4
SIZE	A4	FILE NAME	119A-XXA00-R04_B_4



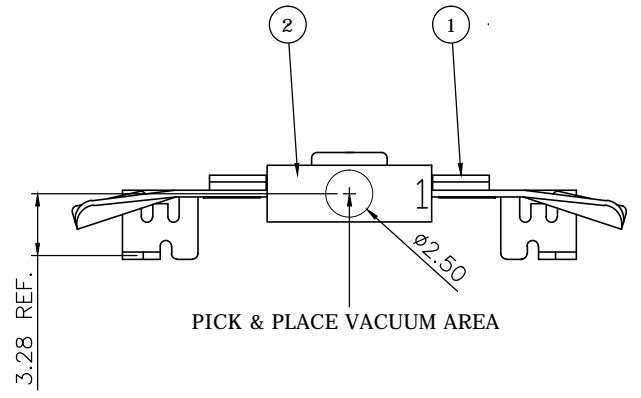
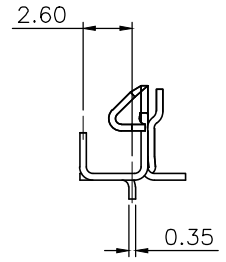
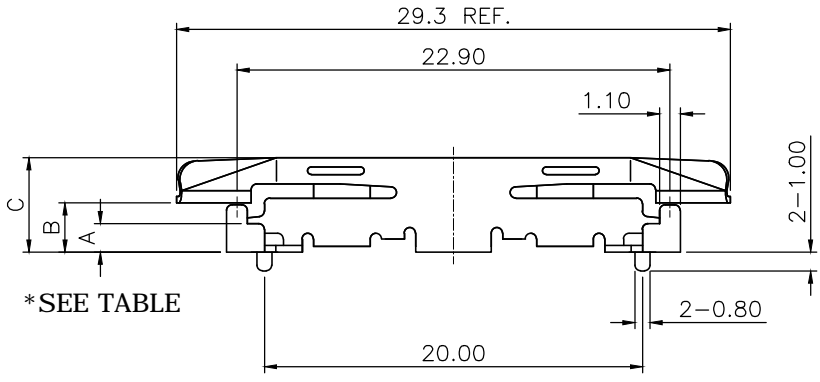
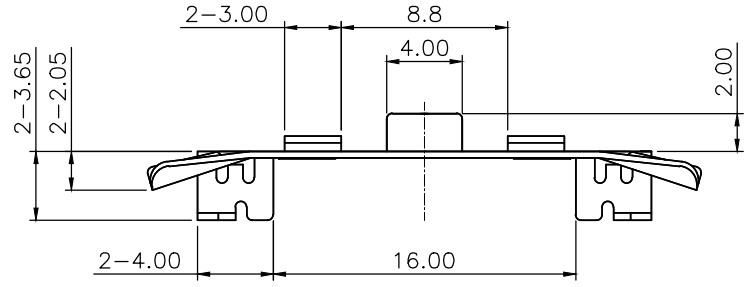
WWW.ATTEND.COM.TW

DRAWN NAME:  
Mini PCI Express Socket H:X.Xmm

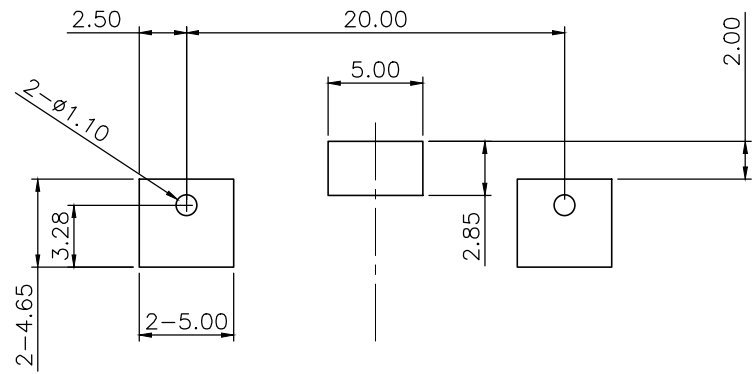
PRODUCT NO. SEE P/N TABLE

FILE NAME 119A-XXA00-R04\_B\_4

REV.	DESCRIPTION	DRAWN	DATE
1	INITIAL RELEASE	FROS	2014/12/15



DIMENSIONS TABLE			
A	B	C	P/N
1.5	2.6	5.0	119A-40LATCH
3.1	4.2	6.6	119A-56LATCH



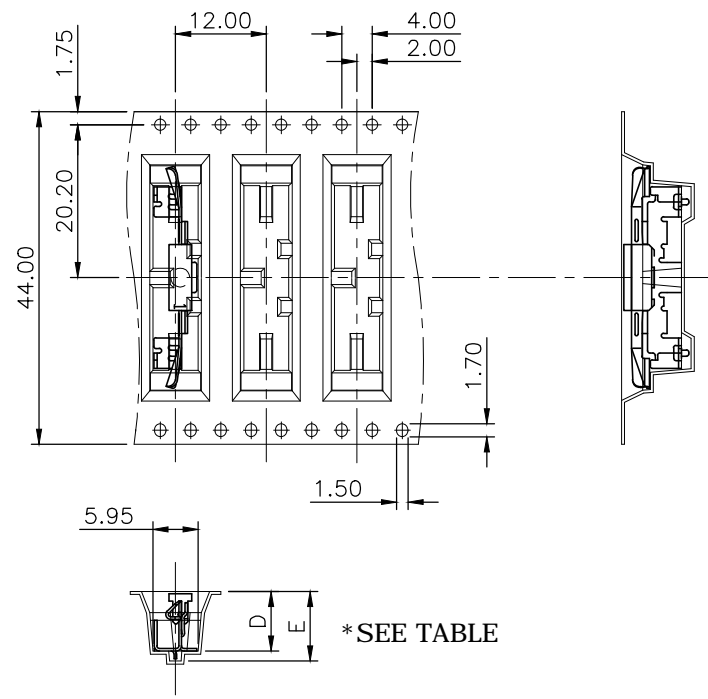
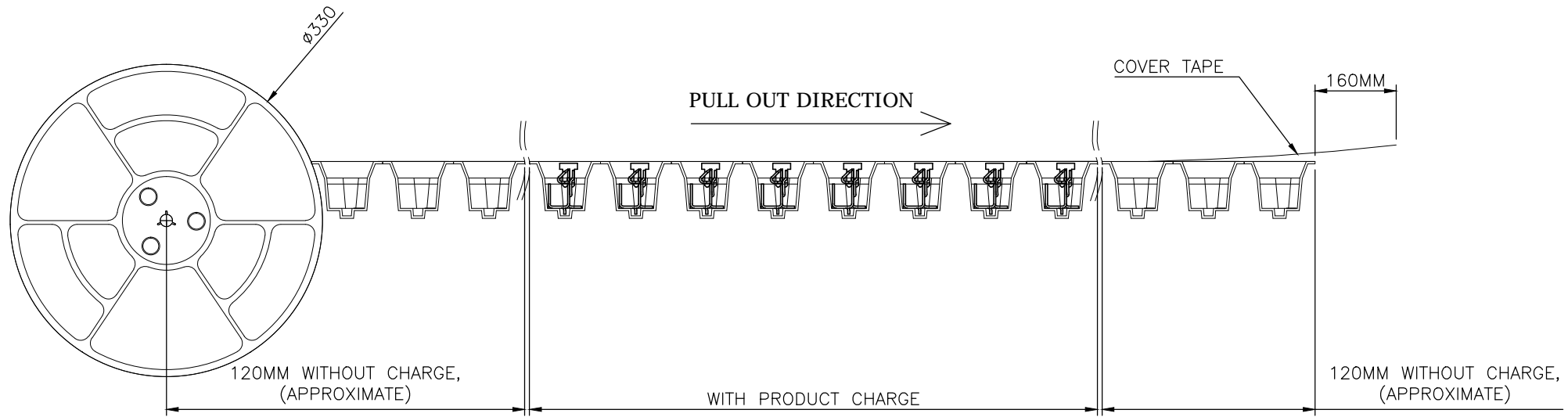
**RECOMMEND PCB LAYOUT**

2	Holder	LCP, UL94V-0, BLACK	
1	LATCH	SUS301 3/4H, Tin 80~120u" PLATED	
NO. PART NAME		DESCRIPTION	
UNLESS OTHERWISE SPECIFIED TOLERANCE			
UNIT:	DECIMAL	LINEAR	ANGLES
	mm	X. ±0.50	X.X ±5°
		X.XX ±0.25	X.X ±3°
		X.XX ±0.12	X.X ±1°
DRAWN		Fros	2014/12/15
CHECKED		Ron	2014/12/15
APPROVED		Albert	2014/12/15
DRAWN NAME:		Mini PCI Express Latch	
PRODUCT NO.		SEE TABLE	
SCALE		SHEET	SIZE
2.5		1/2	A4
FILE NAME		119A-XXLATCH_B_1	



WWW.ATTEND.COM.TW

REV.	DESCRIPTION	DRAWN	DATE
	SEE SHEET 1		



PACKING QUANTITY			
P/N	REEL	CARTON (5 REEL)	PACKING LEIGHT
119A-40LATCH	700 PCS	3500 PCS	8.64 M
119A-56LATCH	550 PCS	2750 PCS	6.84 M

DIMENSIONS TABLE		
D	E	P/N
6.30	7.60	119A-40LATCH
7.90	9.20	119A-56LATCH

UNLESS OTHERWISE SPECIFIED TOLERANCE			
UNIT:	DECIMAL	LINEAR	ANGLES
mm	X.	±0.50	±5°
	X.X	±0.25	±3°
	X.XX	±0.12	±1°

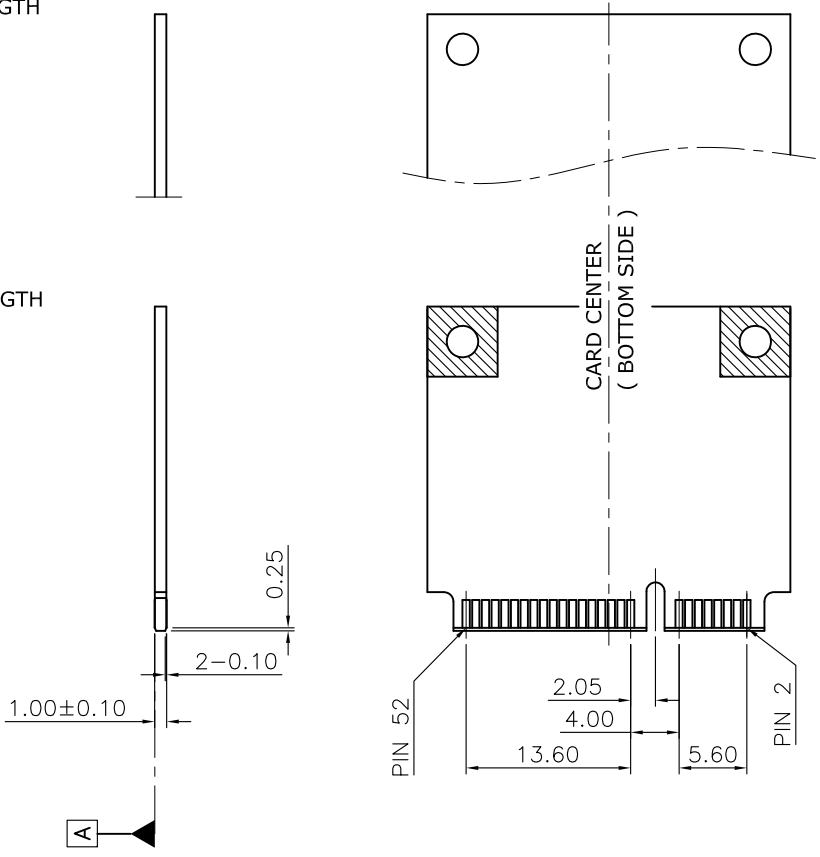
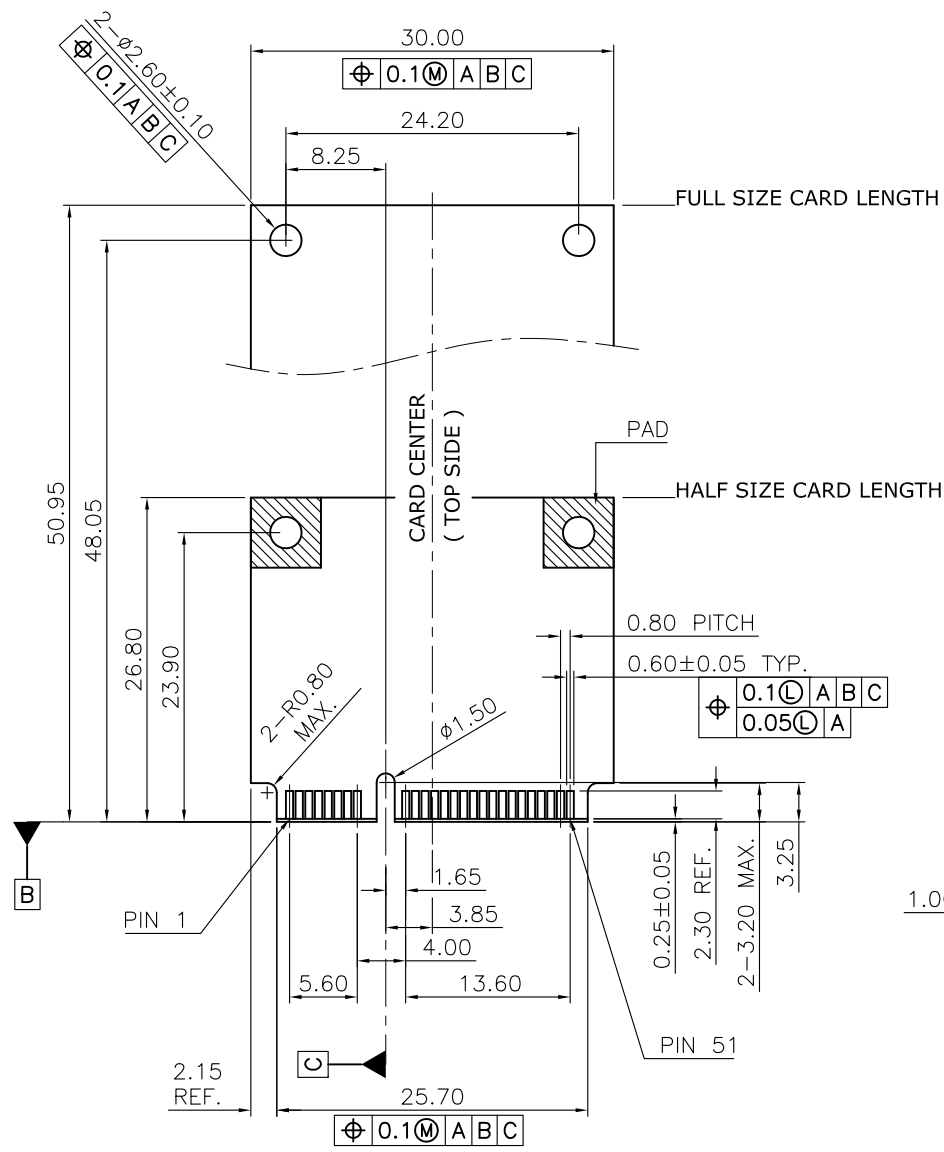



DRAWN	Fros	2014/12/15	DRAWN NAME:	
CHECKED	Ron	2014/12/15	Mini PCI Express Latch	
APPROVED	Albert	2014/12/15	PRODUCT NO.	SEE TABLE
⌀	SCALE	SHEET	SIZE	FILE NAME
	1/1	2/2	A4	119A-XXLATCH_B_1

WWW.ATTEND.COM.TW

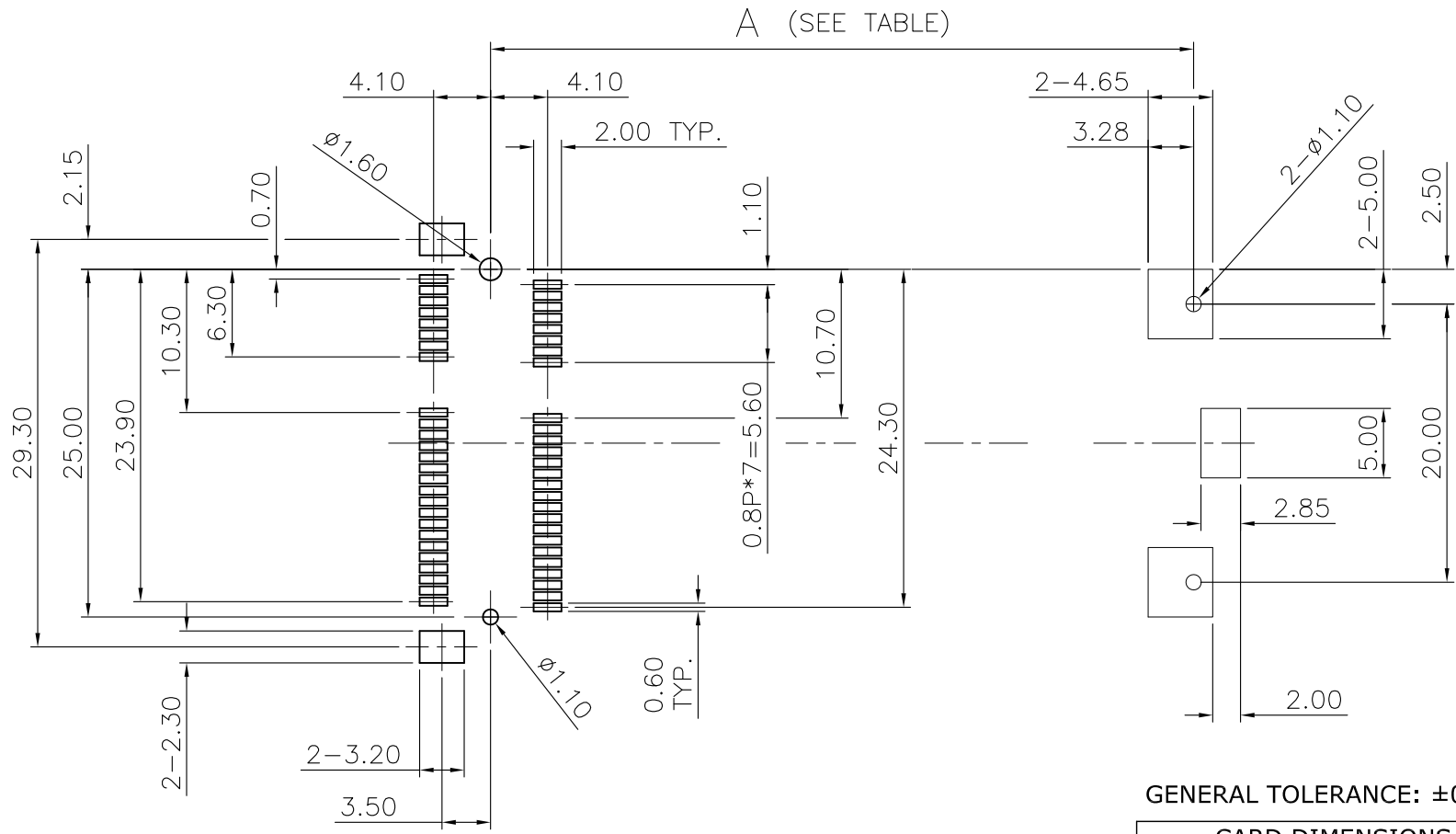
\* SEE TABLE

REV.	DESCRIPTION	DRAWN	DATE
1	Initial Release	FROS	2014/12/03



UNLESS OTHERWISE SPECIFIED TOLERANCE					
UNIT:	DECIMAL	LINEAR	ANGLES		
mm	X.	±0.50	±5°	WWW.ATTEND.COM.TW	
	X.X	±0.25	±3°		
	X.XX	±0.12	±1°		
DRAWN	Fros	2014/12/03	DRAWN NAME:		
CHECKED	Ron	2014/12/03	PHYSICAL DIMENSIONS OF		
APPROVED	Albert	2014/12/03	PCI EXPRESS MINI CARD		
SCALE	1.6/1	SHEET	1/1	SIZE	A4
PRODUCT NO.	FILE NAME				
					119A-CARD_1

REV.	DESCRIPTION	DRAWN	DATE
1	Initial Release	FROS	2014/12/15



GENERAL TOLERANCE: ±0.05mm

CARD DIMENSIONS		A
FULL SIZE	30*50.95mm	50.58mm
HALF SIZE	30*26.80mm	26.43mm

UNLESS OTHERWISE SPECIFIED TOLERANCE		
UNIT:	DECIMAL	LINEAR
mm	X.	±0.50
	X.X	±0.25
	X.XX	±0.12
	ANGLES	
		±5°
		±3°
		±1°



WWW.ATTEND.COM.TW

DRAWN	Fros	2014/12/15	DRAWN NAME: Recommend PCB Layout 119A-XXA00-R04 + 119A-XXLATCH
CHECKED	Ron	2014/12/15	
APPROVED	Albert	2014/12/15	PRODUCT NO.
SCALE	1/1	SHEET	1/1
SIZE	A4	FILE NAME	119A-XXA00-R04 + 119A-XXLATCH_1