

Panel Cut-out

Order information
 L-KLS15-249-XX M1

L: Rohs
 XX: Number of Contacts
 M1: Male Type, Quick Lock

Material:

Contact: Brass, Gold Plated/Silver plated

Connector Body: PA66+30%GF

Insert Body: PA66+30%GF

Electrical & Mechanical data

Waterproof Rating: IP67, Mated

Current Rating: 10A

Voltage Rating: 200V

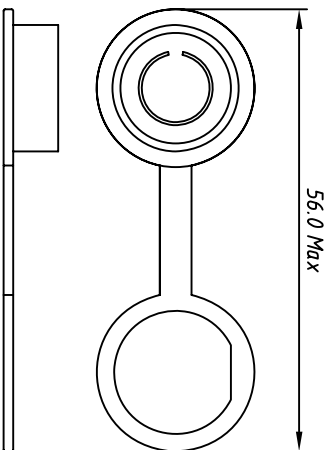
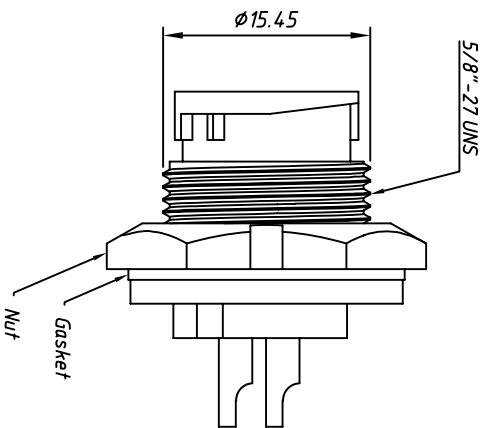
Insulation resistance: 2000 MΩ Min.

Withstanding Voltage: 1500V AC

Orientation: Panel, Solder

Mating Life: 500 cycles Min.

Temperature Range: -40°C ~ +105°C



Protection cap for Male panel mount connector

No.	Solder inter diamte	Contacts resistance Max.
2	Ø1.6mm	6 mΩ
3	Ø1.6mm	6 mΩ
4	Ø1.0mm	3 mΩ
5	Ø1.0mm	3 mΩ
6	Ø1.0mm	3 mΩ
7	Ø1.0mm	3 mΩ
8	Ø1.0mm	3 mΩ
10	Ø1.0mm	3 mΩ
12	Ø1.0mm	3 mΩ

GENERAL TOLERANCE	ANGLE TOLERANCE	PROJECTION		Description:
		UNITS	mm	
X: ±0.60	X: ±5°	UNITS	mm	IP67 Circular Connectors, Quick lock; Male Jack, for Panel, Solder
.X: ±0.38	.X: ±3°	SHEET SIZE	A4	
.XX: ±0.25	.XX: ±2°	KLS P/N:	KLS15-249-XM1	
Draw by: Date		KLS ELECTRONIC CO., LTD.		
Check by: Date				
SCALE	SHEET	OF		