

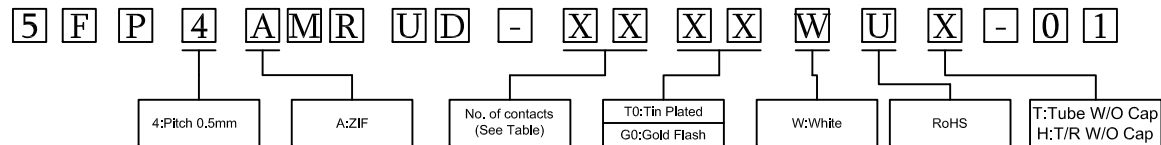
**SPECIFICATION**

Current Rate:0.5 AMP  
 Insulation Resistance:100M Ω Min.  
 Contact Resistance:30m Ω Max.  
 Dielectric Voltage:250V AC/Minute  
 Operation Temperature:-20 °C to +85 °C

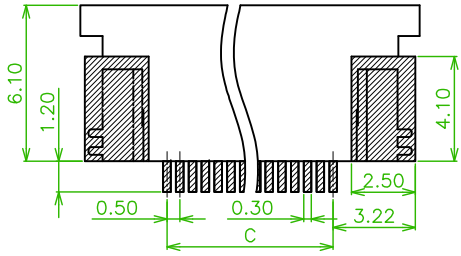
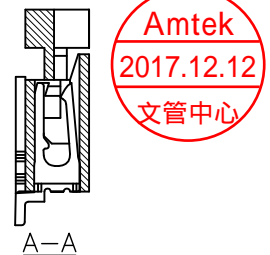
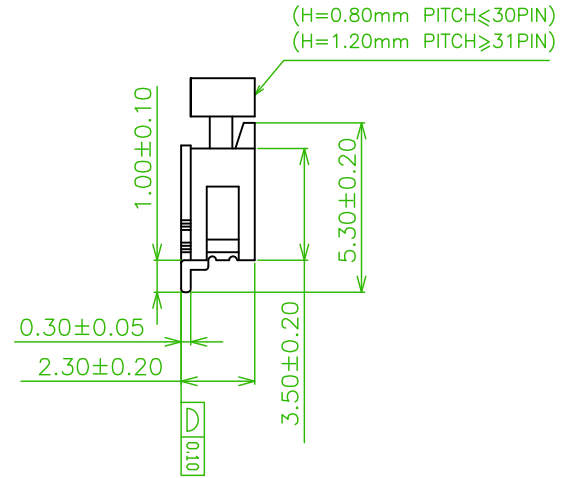
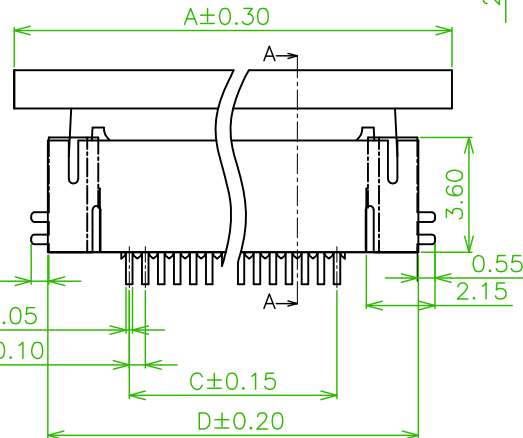
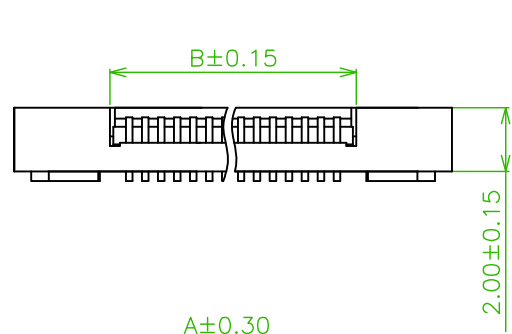
**MATERIAL**

Insulator:High Temperature Thermoplastic,UL 94V-0  
 Contact Pin:Copper Alloy

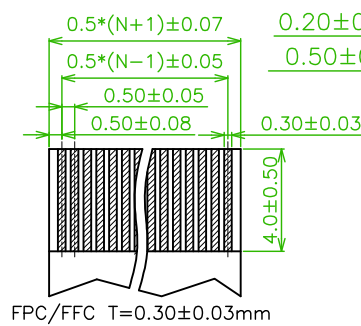
**ORDER INFORMATION**



PIN	Dimension				PIN	Dimension				PIN	Dimension			
	A	B	C	D		A	B	C	D		A	B	C	D
4	8.7	2.7	1.5	6.6	25	19.2	13.2	12.0	17.1	45	29.2	23.2	22.0	27.1
5	9.2	3.2	2.0	7.1	26	19.7	13.7	12.5	17.6	46	29.7	23.7	22.5	27.6
6	9.7	3.7	2.5	7.6	27	20.2	14.2	13.0	18.1	48	30.7	24.7	23.5	28.6
8	10.7	4.7	3.5	8.6	28	20.7	14.7	13.5	18.6	50	31.7	25.7	24.5	29.6
9	11.2	5.2	4.0	9.1	29	21.2	15.2	14.0	19.1	51	32.2	26.2	25.0	30.1
10	11.7	5.7	4.5	9.6	30	21.7	15.7	14.5	19.6	53	33.2	27.2	26.0	31.1
11	12.2	6.2	5.0	10.1	31	22.2	16.2	15.0	20.1	54	33.7	27.7	26.5	31.6
12	12.7	6.7	5.5	10.6	32	22.7	16.7	15.5	20.6	55	34.2	28.2	27.0	32.1
13	13.2	7.2	6.0	11.1	33	23.2	17.2	16.0	21.1	56	34.7	28.7	27.5	32.6
14	13.7	7.7	6.5	11.6	34	23.7	17.7	16.5	21.6	57	35.2	29.2	28.0	33.1
15	14.2	8.2	7.0	12.1	35	24.2	18.2	17.0	22.1	59	36.2	30.2	29.0	34.1
16	14.7	8.7	7.5	12.6	36	24.7	18.7	17.5	22.6	60	36.7	30.7	29.5	34.6
17	15.2	9.2	8.0	13.1	37	25.2	19.2	18.0	23.1	61	37.2	31.2	30.0	35.1
18	15.7	9.7	8.5	13.6	38	25.7	19.7	18.5	23.6					
19	16.2	10.2	9.0	14.1	39	26.2	20.2	19.0	24.1					
20	16.7	10.7	9.5	14.6	40	26.7	20.7	19.5	24.6					
21	17.2	11.2	10.0	15.1	41	27.2	21.2	20.0	25.1					
22	17.7	11.7	10.5	15.6	42	27.7	21.7	20.5	25.6					
23	18.2	12.2	11.0	16.1	43	28.2	22.2	21.0	26.1					
24	18.7	12.7	11.5	16.6	44	28.7	22.7	21.5	26.6					



Recommended PCB Board Hole Layout



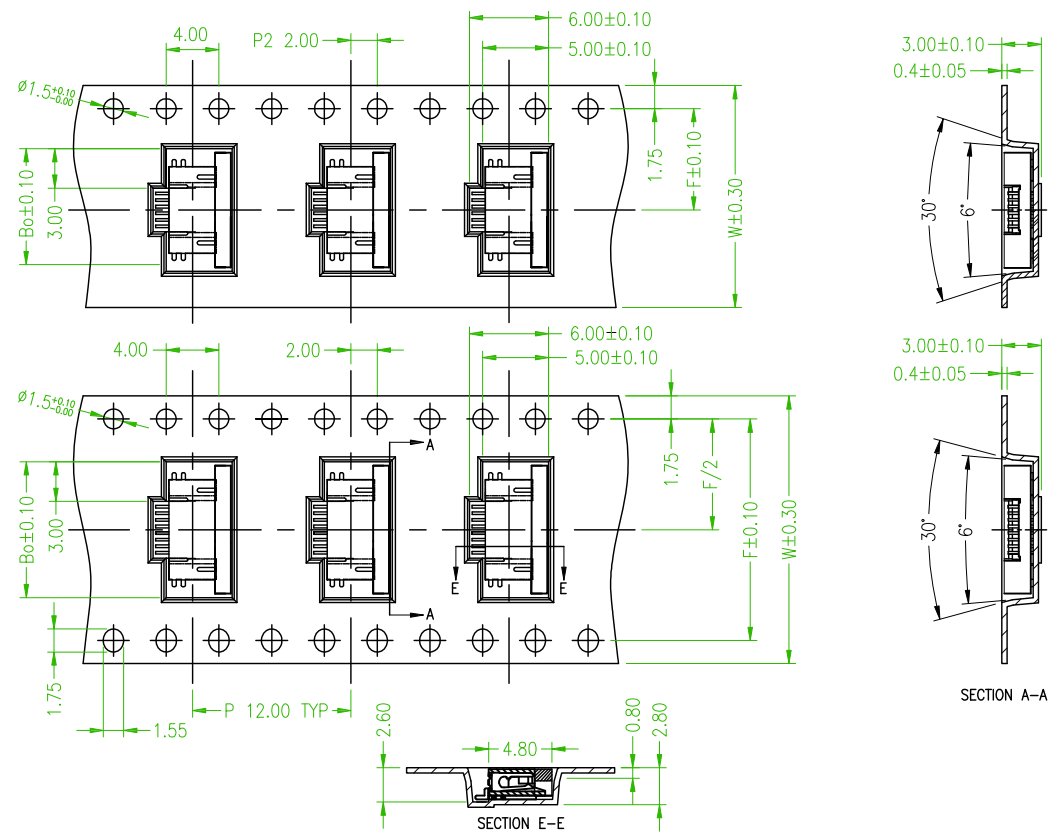
FPC/FFC T=0.30±0.03mm

Old Part No. : FPC4AMR6-XX-U-U

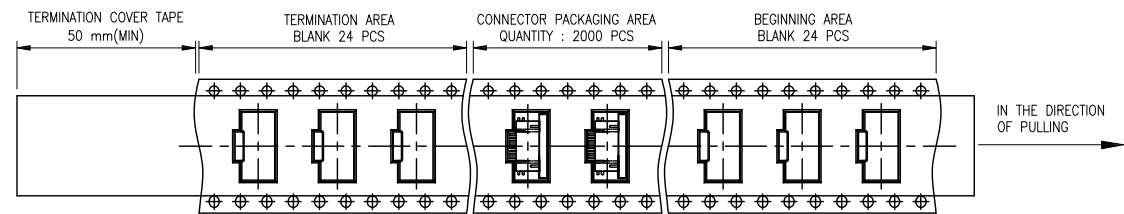
REV.	ECN NO. OR DESCRIPTION	REVISED	DATE
△	Add the Reel Package	Mia	2017/12/11
△	Revise the drawing	Roy	2016/05/30

TEL: 886-2-2260-6878  
 FAX: 886-2-2260-8030

品名 TITLE	FPC/FFC 0.5mm Zif R/A SMT Type				頁數 Page	1/3
品號 PART NO.	5FP4AMRUD-XXXXWUX-01				繪圖 DRAWN	Roy 2015/09/24
圖號 DRAWING NO.	GN033-MC815		版本 REV.	C	核對 CHECKED	John 2015/09/24
客戶品號 CUSTOMER P/N			比例 SCALE	None	承認 APPROVED	John 2015/09/24
公差 TOLERANCE	.X ±0.20	.XX ±0.10	.X°±3	單位 UNIT	mm	THIRD ANGLE PROJECTION



NO. OF POS	ITEM			NO. OF POS	ITEM		
	Bo	W	F		Bo	W	F
3	8.7	24	11.5	33	23.7	44	40.4
4	9.2	24	11.5	34	24.2	44	40.4
5	9.7	24	11.5	35	24.7	44	40.4
6	10.2	24	11.5	36	25.2	44	40.4
7	10.7	24	11.5	37	25.7	44	40.4
8	11.2	24	11.5	38	26.2	44	40.4
9	11.7	24	11.5	39	26.7	44	40.4
10	12.2	24	11.5	40	27.2	44	40.4
11	12.7	24	11.5	41	27.7	44	40.4
12	13.2	24	11.5	42	28.2	44	40.4
13	13.7	24	11.5	43	28.7	44	40.4
14	14.2	24	11.5	44	29.2	44	40.4
15	14.7	24	11.5	45	29.7	44	40.4
16	15.2	24	11.5	46	30.2	44	40.4
17	15.7	32	28.4	47	30.7	44	40.4
18	16.2	32	28.4	48	31.2	44	40.4
19	16.7	32	28.4	49	31.7	56	52.4
20	17.2	32	28.4	50	32.2	56	52.4
21	17.7	32	28.4	51	32.7	56	52.4
22	18.2	32	28.4	52	33.2	56	52.4
23	18.7	32	28.4	53	33.7	56	52.4
24	19.2	32	28.4	54	34.2	56	52.4
25	19.7	44	40.4	55	34.7	56	52.4
26	20.2	44	40.4	56	35.2	56	52.4
27	20.7	44	40.4	57	35.7	56	52.4
28	21.2	44	40.4	58	36.2	56	52.4
29	21.7	44	40.4	59	36.7	56	52.4
30	22.2	44	40.4	60	37.2	56	52.4
31	22.7	44	40.4	61	37.7	56	52.4
32	23.2	44	40.4				



COMPOSITION OF PACKAGING

1. 10 sprocket hole pitch cumulative tolerance±0.2mm.
2. A measured on a plane 0.3mm above the bottom of the pocket.
3. Material:Transparent Conductive Polystyrene.
4. Thickness:0.40±0.05mm./W56:0.50±0.05.
5. Packing length per22" reel: 24.60 Meters.
6. Component loader 13" reel: 2000 pcs.
7. For tape width (dimension W) 24mm a pilot hole is provided on one side.  
For tape width (dimension W) 32mm and 44mm、56mm pilot holes are provided on both side.
8. The top tape all of pull about 0.1N to 1.3N (10g to 130g).

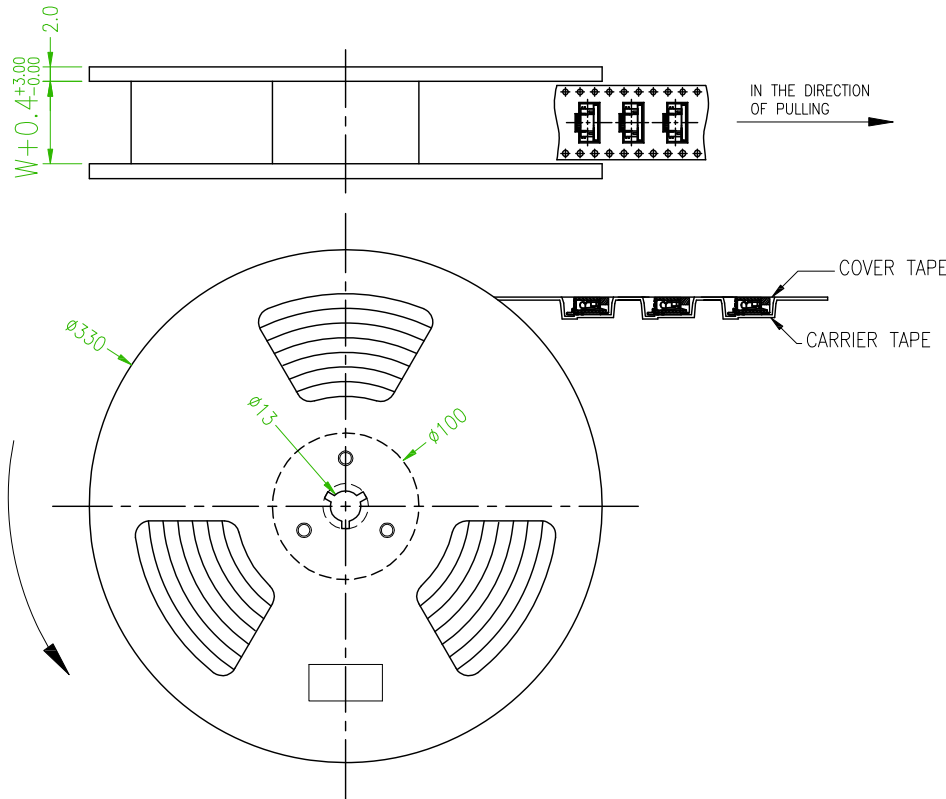
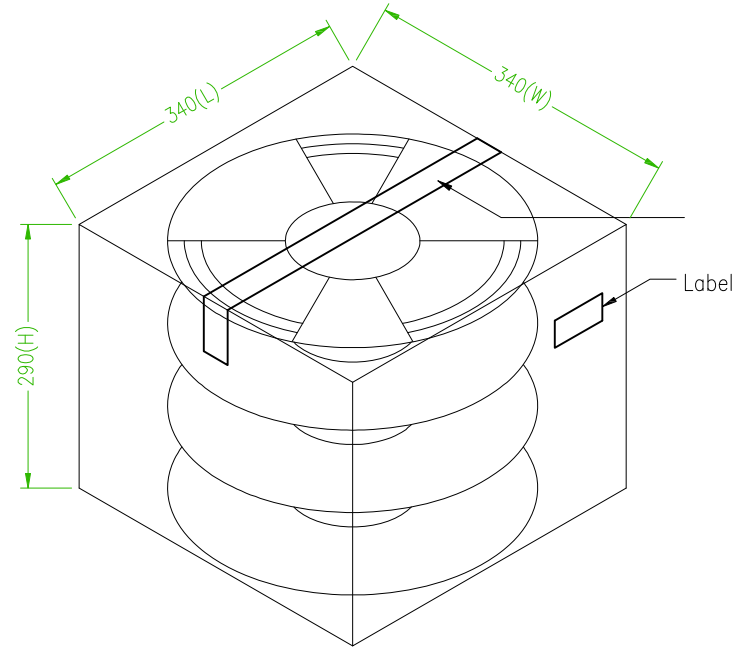
REV.	ECN NO. OR DESCRIPTION	REVISED	DATE
△	Add the Reel Package	Mia	2017/12/11
△	Revise the drawing	Roy	2016/05/30

糧德精密有限公司  
Amtek Technology Co., Ltd.  
TEL: 886-2-2260-6878  
FAX: 886-2-2260-8030

品名 TITLE	FPC/FFC 0.5mm Zif R/A SMT Type				頁數 Page	2/3
品號 PART NO.	5FP4AMRUD-XXXXWUX-01			繪圖 DRAWN	Roy 2015/09/24	
圖號 DRAWING NO.	GN033-MC815			版本 REV.	C	核對 CHECKED John 2015/09/24
客戶品號 CUSTOMER P/N				比例 SCALE	None	承認 APPROVED John 2015/09/24
公差 TOLERANCE				單位 UNIT	mm	THIRD ANGLE PROJECTION 

NOTE:

1. REEL MATERIAL: PS
2. CARRIER MATERIAL: PS
3. COVER TAPE MATERIAL: PS
4. COVER TAPE REEL STRENGTH: 13"
5. QUANTITY: 2000pcs/REEL  
DETAIL QUANTIT: SEE TABLE
6. CARTON: 340\*340\*290mm



DIMENSION TABLE

NO. OF POS	NO.OF REEL	PACKAGING QUANTITY(PCS)
3~16	10	20000
17~24	8	16000
25~48	6	12000
49~61	4	8000

REV.	ECN NO. OR DESCRIPTION	REVISED	DATE
△	Add the Reel Package	Mia	2017/12/11
△	Revise the drawing	Roy	2016/05/30

**糧德精密有限公司**  
 Amtek Technology Co., Ltd.  
 TEL: 886-2-2260-6878  
 FAX: 886-2-2260-8030

品名 TITLE	FPC/FFC 0.5mm Zif R/A SMT Type				頁數 Page	3/3
品號 PART NO.	5FP4AMRUD-XXXXWUX-01				繪圖 DRAWN	Roy 2015/09/24
圖號 DRAWING NO.	GN033-MC815	版本 REV.	C	核對 CHECKED	John 2015/09/24	
客戶品號 CUSTOMER P/N		比例 SCALE	None	承認 APPROVED	John 2015/09/24	
公差 TOLERANCE		單位 UNIT	mm	THIRD ANGLE PROJECTION		