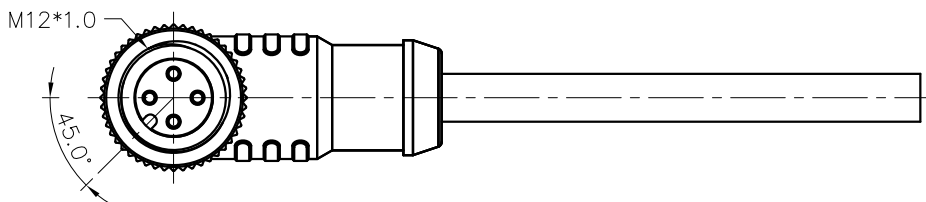
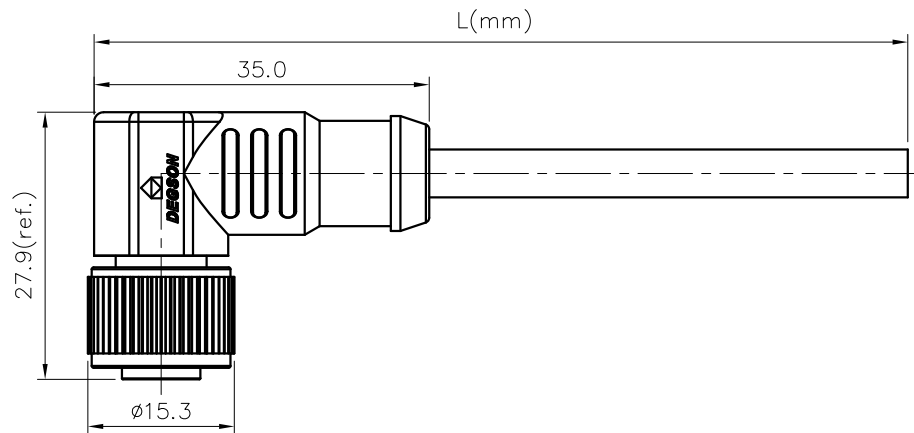


REVISION RECORD

REV	ECN	DESCRIPTION	DRFT	DATE
-----	-----	-------------	------	------



NOTES:

- Rated voltage/current : 3pin A: 250V / 4A  
4pin A: 250V / 4A  
5pin A: 60V / 4A  
6pin A: 30V / 2A  
8pin A: 30V / 2A

2. Withstanding voltage : AC1060V/1Min

3. Levels of protection: IP68

4. Cable specifications :

- 3pin A: 3C\*22AWG/0.34mm<sup>2</sup>, UL2517/UL20549
- 4pin A: 4C\*22AWG/0.34mm<sup>2</sup>, UL2517/UL20549
- 5pin A: 5C\*22AWG/0.34mm<sup>2</sup>, UL2517/UL20549
- 6pin A: 6C\*24AWG/0.25mm<sup>2</sup>, UL2517/UL20549
- 8pin A: 8C\*24AWG/0.25mm<sup>2</sup>, UL2517/UL20549

5. Wire connection mode: soldering

6. Operating temperature: -40°C~+85°C

7. RoHS Compliance

PM-M12X-XXP-FF-SR8XXX-00A(H)

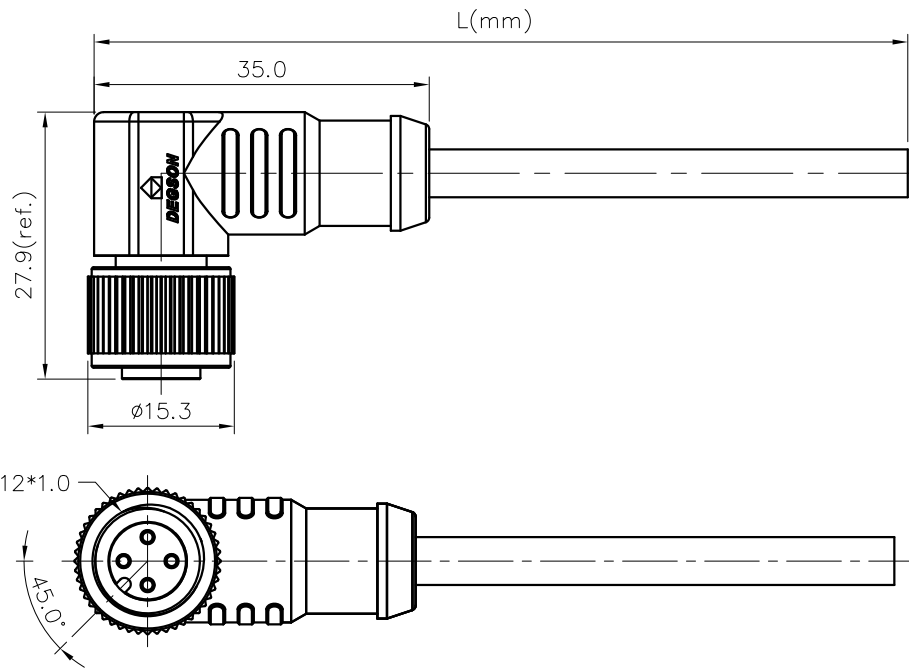
Coding: A,B,D  
 Pin number: 03,04, 05,06,08, 10,12  
 Cable jacket:  
 A: PVC UL2517;  
 B: PUR UL20549  
 Cable length L:  
 01: 1M  
 ...  
 99: 99M  
 The line grows business trip:  
 01~05m: ± 50mm  
 06~10m: ± 100mm  
 11~30m: ± 200mm  
 31~99m: ± 500mm

3pin A Coding	4pin A Coding	5pin A Coding	6pin A Coding	8pin A Coding
Pin Assignments Front View	Pin Assignments Front View	Pin Assignments Front View	Pin Assignments Front View	Pin Assignments Front View
				8 Red
				7 Blue
				6 Pink
		5 Grey		5 Grey
4 Black	4 Black	4 Black	4 Yellow	4 Yellow
3 Blue	3 Blue	3 Blue	3 Green	3 Green
1 Brown	2 White	2 White	2 Brown	2 Brown
1 Brown	1 Brown	1 Brown	1 White	1 White
Pin Wire Color	Pin Wire Color	Pin Wire Color	Pin Wire Color	Pin Wire Color
Pin Out	Pin Out	Pin Out	Pin Out	Pin Out

DETACHED LISTS	PART NO.: PMM12XXXPFSSR8XXX00AH	宁波高松电子有限公司 NINGBO DEGSON ELECTRICAL CO., LTD		
	APPD:	NAME: PM-M12X-XXP-FF-SR8XXX-00A(H)		
	DRFT: LZ 2018.10.08	TITLE: CUSTOMER DRAWING	REV: D0-1	A
	THIRD ANGLE PROJECTION		DRAWING NO.: XXXXXXXX-XX-CXX	SHEET: 1/2
		MM (INCH)	DO NOT SCALE DRAWING	SCALE: 1:1

REVISION RECORD

REV	ECN	DESCRIPTION	DRFT	DATE
-----	-----	-------------	------	------



NOTES:

- Rated voltage/current : 10pin A: 30V / 1.5A  
12pin A: 30V / 1.5A  
5pin B: 60V / 4A  
4pin D: 250V / 4A
- Withstanding voltage : AC1060V/1Min
- Levels of protection:IP68
- Cable specifications :  
10pin A: 10C\*26AWG/0.14mm<sup>2</sup>,UL2517/UL20549  
12pin A: 12C\*26AWG/0.14mm<sup>2</sup>,UL2517/UL20549  
5pin B: 5C\*22AWG/0.34mm<sup>2</sup>,UL2517/UL20549  
4pin D: 4C\*22AWG/0.34mm<sup>2</sup>,UL2517/UL20549
- Wire connection mode:soldering
- Operating temperature:-40°C~+85°C
- RoHS Compliance

10pin A Coding	12pin A Coding	5pin B Coding	4pin D Coding
Pin Assignments Front View	Pin Assignments Front View	Pin Assignments Front View	Pin Assignments Front View
	12 Red/Blue		
	11 Grey/Pink		
10 Violet	10 Violet		
9 Red	9 Red		
8 Grey	8 Grey		
7 Black	7 Black		
6 Yellow	6 Yellow		
5 Pink	5 Pink	5 Grey	
4 Green	4 Green	4 Black	4 Black
3 White	3 White	3 Blue	3 Blue
2 Blue	2 Blue	2 White	2 White
1 Brown	1 Brown	1 Brown	1 Brown
Pin Wire Color	Pin Wire Color	Pin Wire Color	Pin Wire Color
Pin Out	Pin Out	Pin Out	Pin Out

PM-M12X-XXP-FF-SR8XXX-00A(H)

Coding: A,B,D

Pin number: 03,04, 05,06,08, 10,12

Cable jacket:  
A: PVC UL2517;  
B: PUR UL20549

Cable length L:  
01: 1M  
...  
99: 99M  
The line grows business trip:  
01~05m: ± 50mm  
06~10m: ± 100mm  
11~30m: ± 200mm  
31~99m: ± 500mm

DETACHED LISTS	PART NO.: PMM12XXXPFFSR8XXX00AH	宁波高松电子有限公司 NINGBO DEGSON ELECTRICAL CO., LTD		
	APPD:	NAME: PM-M12X-XXP-FF-SR8XXX-00A(H)		
	CHKD:	TITLE: CUSTOMER DRAWING		
	DRFT: LZ 2018.10.08	REV: D0-1	SHEET: 2/2	SCALE: 1:1
		DRAWING NO.: XXXXXXXX-XX-CXX DO NOT SCALE DRAWING		