

LED Indicator Light

KLS9-IL-M8-03A LED Indicator Light



SPECIFICATION:

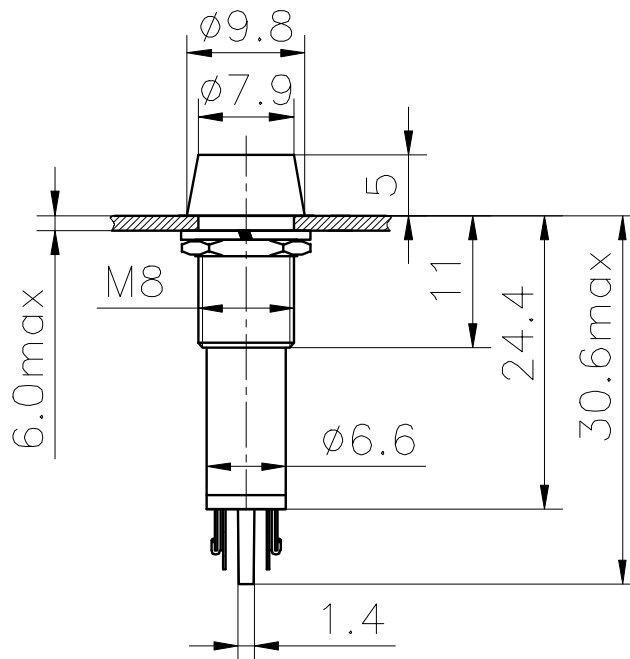
Parameter:

Housing: nickel plated copper

Colloid: ABS

Use voltage: 6V, 12V, 24V, 120V, 220V

Emitting colors: red, green, yellow, blue, white



ORDER INFORMATION

Product NO.: KLS9-IL-M8-03A- R



All specification & dimensions are subject to change, please call your nearest KLS sales representative for update information