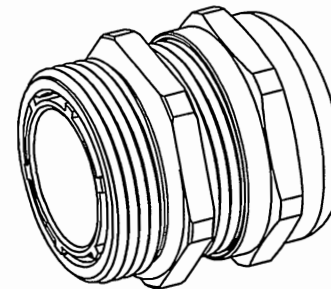
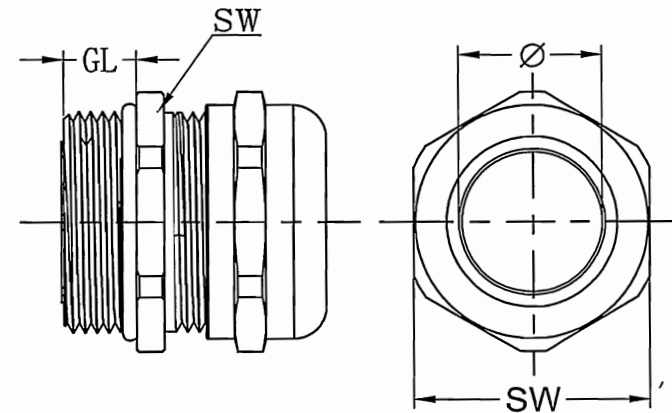

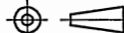
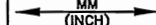


Metric	PG	Claping range(Ø)	SW	GL	Type
	Pg7	3-6.5	14	6.5	DDL-PG7M
	Pg9	4-8	17	7	DDL-PG9M
	Pg11	5-10	20	8	DDL-PG11M
G	Pg13.5	6-12	22	8	DDL-PG13.5M
	Pg16	8-14	24	8	DDL-PG16M
	Pg21	13-18	30	8	DDL-PG21M
F	Pg29	18-25	40	9	DDL-PG29M
	Pg36	22-32	50	10	DDL-PG36M
	Pg42	31-38	58	10	DDL-PG42M
	Pg48	37-44	64	12	DDL-PG48M
E	M12x1.5	3-6.5	14	6.5	DDL-M12M
	M16x1.5	5-10	18	7	DDL-M16M
	M20x1.5	6-12	22	8	DDL-M20M
D	M25x1.5	13-18	30	8	DDL-M25M
	M32x1.5	18-25	40	9	DDL-M32M
	M40x1.5	22-32	50	10	DDL-M40M
C	M50x1.5	30-38	58	10	DDL-M50M
	M63x1.5	37-44	68	12	DDL-M63M

REVISION RECORD				
REV	ECN	DESCRIPTION	DRFT	DATE



Metal Cable gland  
 Material:Brass nickel plated  
 Seal Material:NBR  
 Degree of protection:IP68  
 Press seal material:PA  
 Temperature range:-40~100°C

DETACHED LISTS	PART NO.: /	 宁波高松电子有限公司 NINGBO DEGSON ELECTRICAL CO., LTD		
	APPD: HJS 2016.9.2	NAME: Metal Cable gland		
	CHKD: CHR 2016.9.1	TITLE: CUSTOMER DRAWING		
	DRFT: Mr. Yang 2016.08.18	REV	DO-1	
	 THIRD ANGLE PROJECTION	DRAWING NO.:	SHEET	1/1
	 MM (INCH)	DO NOT SCALE DRAWING	SCALE	