

## INA188

### Precision, Zero-Drift, Rail-to-Rail Out, High-Voltage Instrumentation Amplifier

#### 1 Features

- Excellent DC Performance:
  - Low Input Offset Voltage: 55  $\mu\text{V}$  (max)
  - Low Input Offset Drift: 0.2  $\mu\text{V}/^\circ\text{C}$  (max)
  - High CMRR: 104 dB,  $G \geq 10$  (min)
- Low Input Noise:
  - 12  $\text{nV}/\sqrt{\text{Hz}}$  at 1 kHz
  - 0.25  $\mu\text{V}_{\text{PP}}$  (0.1 Hz to 10 Hz)
- Wide Supply Range:
  - Single Supply: 4 V to 36 V
  - Dual Supply:  $\pm 2$  V to  $\pm 18$  V
- Gain Set with a Single External Resistor:
  - Gain Equation:  $G = 1 + (50 \text{ k}\Omega / R_G)$
  - Gain Error: 0.007%,  $G = 1$
  - Gain Drift: 5 ppm/ $^\circ\text{C}$  (max)  $G = 1$
- Input Voltage:  $(V_-) + 0.1 \text{ V}$  to  $(V_+) - 1.5 \text{ V}$
- RFI-Filtered Inputs
- Rail-to-Rail Output
- Low Quiescent Current: 1.4 mA
- Operating Temperature:  $-55^\circ\text{C}$  to  $+150^\circ\text{C}$
- SOIC-8 and DFN-8 Packages

#### 2 Applications

- Bridge Amplifiers
- ECG Amplifiers
- Pressure Sensors
- Medical Instrumentation
- Portable Instrumentation
- Weigh Scales
- Thermocouple Amplifiers
- RTD Sensor Amplifiers
- Data Acquisition

#### 3 Description

The INA188 is a precision instrumentation amplifier that uses TI proprietary auto-zeroing techniques to achieve low offset voltage, near-zero offset and gain drift, excellent linearity, and exceptionally low-noise density (12  $\text{nV}/\sqrt{\text{Hz}}$ ) that extends down to dc.

The INA188 is optimized to provide excellent common-mode rejection of greater than 104 dB ( $G \geq 10$ ). Superior common-mode and supply rejection supports high-resolution, precise measurement applications. The versatile three op-amp design offers a rail-to-rail output, low-voltage operation from a 4-V single supply as well as dual supplies up to  $\pm 18$  V, and a wide, high-impedance input range. These specifications make this device ideal for universal signal measurement and sensor conditioning (such as temperature or bridge applications).

A single external resistor sets any gain from 1 to 1000. The INA188 is designed to use an industry-standard gain equation:  $G = 1 + (50 \text{ k}\Omega / R_G)$ . The reference pin can be used for level-shifting in single-supply operation or for an offset calibration.

The INA188 is specified over the temperature range of  $-40^\circ\text{C}$  to  $+125^\circ\text{C}$ .

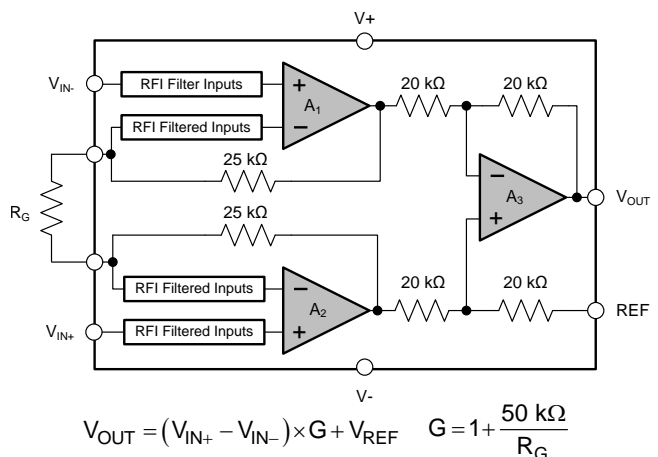
#### Device Information

ORDER NUMBER	PACKAGE	BODY SIZE
INA188	SOIC (8)	4.90 mm x 3.91 mm
INA188	WSON (8) <sup>(2)</sup>	4.00 mm x 4.00 mm

(1) For all available packages, see the orderable addendum at the end of the data sheet.

(2) The DRJ package (WSON-8) is a preview device.

#### Simplified Schematic



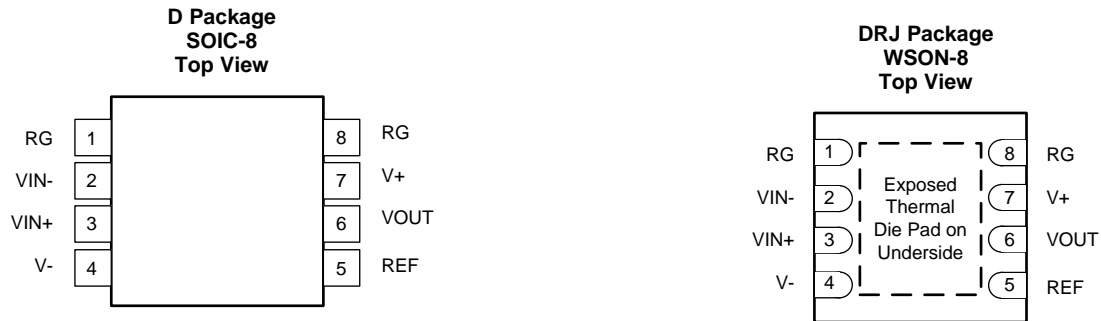
## Table of Contents

<b>1 Features</b> .....	<b>1</b>	7.3 Feature Description .....	<b>18</b>
<b>2 Applications</b> .....	<b>1</b>	7.4 Device Functional Modes .....	<b>21</b>
<b>3 Description</b> .....	<b>1</b>	<b>8 Application and Implementation</b> .....	<b>27</b>
<b>4 Revision History</b> .....	<b>2</b>	8.1 Application Information .....	<b>27</b>
<b>5 Pin Configuration and Functions</b> .....	<b>3</b>	8.2 Typical Application .....	<b>27</b>
<b>6 Specifications</b> .....	<b>4</b>	<b>9 Power Supply Recommendations</b> .....	<b>29</b>
6.1 Absolute Maximum Ratings .....	<b>4</b>	<b>10 Layout</b> .....	<b>29</b>
6.2 ESD Ratings .....	<b>4</b>	10.1 Layout Guidelines .....	<b>29</b>
6.3 Recommended Operating Conditions .....	<b>4</b>	10.2 Layout Example .....	<b>30</b>
6.4 Thermal Information .....	<b>4</b>	<b>11 Device and Documentation Support</b> .....	<b>31</b>
6.5 Electrical Characteristics: $V_S = \pm 4\text{ V}$ to $\pm 18\text{ V}$ ( $V_S = 8\text{ V}$ to $36\text{ V}$ ) .....	<b>5</b>	11.1 Device Support .....	<b>31</b>
6.6 Electrical Characteristics: $V_S = \pm 2\text{ V}$ to $< \pm 4\text{ V}$ ( $V_S = 4\text{ V}$ to $< 8\text{ V}$ ) .....	<b>7</b>	11.2 Documentation Support .....	<b>31</b>
6.7 Typical Characteristics .....	<b>9</b>	11.3 Community Resources .....	<b>31</b>
<b>7 Detailed Description</b> .....	<b>17</b>	11.4 Trademarks .....	<b>31</b>
7.1 Overview .....	<b>17</b>	11.5 Electrostatic Discharge Caution .....	<b>31</b>
7.2 Functional Block Diagram .....	<b>17</b>	11.6 Glossary .....	<b>31</b>
		<b>12 Mechanical, Packaging, and Orderable Information</b> .....	<b>32</b>

## 4 Revision History

DATE	REVISION	NOTES
September 2015	*	Initial release.

## 5 Pin Configuration and Functions



### Pin Functions

PIN		I/O	DESCRIPTION
NO.	NAME		
REF	5	I	Reference input. This pin must be driven by low impedance or connected to ground.
RG	1, 8	—	Gain setting pin. For gains greater than 1, place a gain resistor between pin 1 and pin 8.
V-	4	—	Negative supply
V+	7	—	Positive supply
VIN-	2	I	Negative input
VIN+	3	I	Positive input
VOUT	6	O	Output

## 6 Specifications

### 6.1 Absolute Maximum Ratings

 over operating free-air temperature range (unless otherwise noted)<sup>(1)</sup>

		MIN	MAX	UNIT
Voltage	Supply	±20		V
		40 (single supply)		
	Current	±10		mA
	Analog input range <sup>(2)</sup>	(V-) – 0.5	(V+) + 0.5	V
Output short-circuit <sup>(3)</sup>		Continuous		
Temperature	Operating range, T <sub>A</sub>	–55	150	°C
	Junction, T <sub>J</sub>		150	
	Storage temperature, T <sub>stg</sub>	–65	150	

- (1) Stresses beyond those listed under *Absolute Maximum Ratings* may cause permanent damage to the device. These are stress ratings only, which do not imply functional operation of the device at these or any other conditions beyond those indicated under *Recommended Operating Conditions*. Exposure to absolute-maximum-rated conditions for extended periods may affect device reliability.
- (2) Input pins are diode-clamped to the power-supply rails. Input signals that can swing more than 0.3 V beyond the supply rails must be current limited to 10 mA or less.
- (3) Short-circuit to ground.

### 6.2 ESD Ratings

		VALUE	UNIT
V <sub>(ESD)</sub>	Electrostatic discharge	Human-body model (HBM), per ANSI/ESDA/JEDEC JS-001 <sup>(1)</sup>	±2500
		Charged-device model (CDM), per JEDEC specification JESD22-C101 <sup>(2)</sup>	±1000

- (1) JEDEC document JEP155 states that 500-V HBM allows safe manufacturing with a standard ESD control process.
- (2) JEDEC document JEP157 states that 250-V CDM allows safe manufacturing with a standard ESD control process.

### 6.3 Recommended Operating Conditions

over operating free-air temperature range (unless otherwise noted)

		MIN	NOM	MAX	UNIT
V <sub>S</sub>	Supply voltage	4 (±2)		36 (±18)	V
	Specified temperature	–40		125	°C

### 6.4 Thermal Information

THERMAL METRIC <sup>(1)</sup>		INA188		UNIT
		D (SOIC)	DRG (WSON)	
		8 PINS	8 PINS	
R <sub>θJA</sub>	Junction-to-ambient thermal resistance	125	145	°C/W
R <sub>θJC(top)</sub>	Junction-to-case (top) thermal resistance	80	75	°C/W
R <sub>θJB</sub>	Junction-to-board thermal resistance	68	39	°C/W
Ψ <sub>JT</sub>	Junction-to-top characterization parameter	32	14	°C/W
Ψ <sub>JB</sub>	Junction-to-board characterization parameter	68	105	°C/W
R <sub>θJC(bot)</sub>	Junction-to-case (bottom) thermal resistance	N/A	N/A	°C/W

- (1) For more information about traditional and new thermal metrics, see the *IC Package Thermal Metrics* application report, [SPRA953](#).

## 6.5 Electrical Characteristics: $V_S = \pm 4\text{ V to } \pm 18\text{ V}$ ( $V_S = 8\text{ V to } 36\text{ V}$ )

At  $T_A = 25^\circ\text{C}$ ,  $R_L = 10\text{ k}\Omega$ ,  $V_{REF} = V_S / 2$ , and  $G = 1$ , unless otherwise noted.

PARAMETER		TEST CONDITIONS	MIN	TYP	MAX	UNIT
<b>INPUT<sup>(1)</sup></b>						
$V_{OSI}$	Input stage offset voltage	At RTI <sup>(2)</sup>		$\pm 25$	$\pm 55$	$\mu\text{V}$
		At RTI, $T_A = -40^\circ\text{C to } +125^\circ\text{C}$		$\pm 0.08$	$\pm 0.2$	$\mu\text{V}/^\circ\text{C}$
$V_{OSO}$	Output stage offset voltage	At RTI		$\pm 60$	$\pm 170$	$\mu\text{V}$
		At RTI, $T_A = -40^\circ\text{C to } +125^\circ\text{C}$		$\pm 0.2$	$\pm 0.35$	$\mu\text{V}/^\circ\text{C}$
$V_{OS}$	Offset voltage	At RTI		$\pm 25 \pm 60 / G$	$\pm 55 \pm 170 / G$	$\mu\text{V}$
		At RTI, $T_A = -40^\circ\text{C to } +125^\circ\text{C}$		$\pm 0.2 \pm 0.35 / G$		$\mu\text{V}/^\circ\text{C}$
PSRR	Power-supply rejection ratio	$G = 1$ , $V_S = 4\text{ V to } 36\text{ V}$ , $V_{CM} = V_S / 2$		$\pm 0.7$	$\pm 2.25$	$\mu\text{V/V}$
		$G = 10$ , $V_S = 4\text{ V to } 36\text{ V}$ , $V_{CM} = V_S / 2$		$\pm 0.6$		
		$G = 100$ , $V_S = 4\text{ V to } 36\text{ V}$ , $V_{CM} = V_S / 2$		$\pm 0.45$		
		$G = 1000$ , $V_S = 4\text{ V to } 36\text{ V}$ , $V_{CM} = V_S / 2$		$\pm 0.3$	$\pm 0.8$	
	Long-term stability			1 <sup>(3)</sup>		$\mu\text{V}$
	Turn-on time to specified $V_{OSI}$		See the <a href="#">Typical Characteristics</a>			
$Z_{id}$	Differential input impedance		100    6			G $\Omega$    pF
$Z_{ic}$	Common-mode input impedance		100    9.5			
$V_{CM}$	Common-mode voltage range	The input signal common-mode range can be calculated with <a href="#">this tool</a>	$(V-) + 0.1$		$(V+) - 1.5$	V
CMRR	Common-mode rejection ratio	$G = 1$ , at dc to 60 Hz, $V_{CM} = (V-) + 1.0\text{ V to } (V+) - 2.5\text{ V}$	84	90		dB
		$G = 10$ , at dc to 60 Hz, $V_{CM} = (V-) + 1.0\text{ V to } (V+) - 2.5\text{ V}$	104	110		
		$G = 100$ , at dc to 60 Hz, $V_{CM} = (V-) + 1.0\text{ V to } (V+) - 2.5\text{ V}$	118	130		
		$G = 1000$ , at dc to 60 Hz, $V_{CM} = (V-) + 1.0\text{ V to } (V+) - 2.5\text{ V}$	118	130		
<b>INPUT BIAS CURRENT</b>						
$I_{IB}$	Input bias current			$\pm 850$	$\pm 2500$	pA
		$T_A = -40^\circ\text{C to } +125^\circ\text{C}$		See <a href="#">Figure 10</a>		$\text{pA}/^\circ\text{C}$
$I_{OS}$	Input offset current			$\pm 850$	$\pm 2500$	pA
		$T_A = -40^\circ\text{C to } +125^\circ\text{C}$		See <a href="#">Figure 11</a>		$\text{pA}/^\circ\text{C}$
<b>INPUT VOLTAGE NOISE</b>						
$e_{NI}$	Input voltage noise	$f = 1\text{ kHz}$ , $G = 100$ , $R_S = 0\ \Omega$		12.5		$\text{nV}/\sqrt{\text{Hz}}$
		$f = 0.1\text{ Hz to } 10\text{ Hz}$ , $G = 100$ , $R_S = 0\ \Omega$		0.25		$\mu\text{V}_{PP}$
$e_{NO}$	Output voltage noise	$f = 1\text{ kHz}$ , $G = 100$ , $R_S = 0\ \Omega$		118		$\text{nV}/\sqrt{\text{Hz}}$
		$f = 0.1\text{ Hz to } 10\text{ Hz}$ , $G = 100$ , $R_S = 0\ \Omega$		2.5		$\mu\text{V}_{PP}$
$i_N$	Input current noise	$f = 1\text{ kHz}$		440		$\text{fA}/\sqrt{\text{Hz}}$
		$f = 0.1\text{ Hz to } 10\text{ Hz}$		10		$\text{pA}_{PP}$
<b>GAIN</b>						
G	Gain equation		$1 + (50\text{ k}\Omega / R_G)$			V/V
	Gain range		1		1000	V/V
$E_G$	Gain error	$G = 1$ , $(V-) + 0.5\text{ V} \leq V_O \leq (V+) - 1.5\text{ V}$		$\pm 0.007\%$	$\pm 0.025\%$	
		$G = 10$ , $(V-) + 0.5\text{ V} \leq V_O \leq (V+) - 1.5\text{ V}$		$\pm 0.05\%$	$\pm 0.20\%$	
		$G = 100$ , $(V-) + 0.5\text{ V} \leq V_O \leq (V+) - 1.5\text{ V}$		$\pm 0.06\%$	$\pm 0.20\%$	
		$G = 1000$ , $(V-) + 0.5\text{ V} \leq V_O \leq (V+) - 1.5\text{ V}$		$\pm 0.2\%$	$\pm 0.50\%$	
	Gain versus temperature	$G = 1$ , $T_A = -40^\circ\text{C to } +125^\circ\text{C}$		1	5	$\text{ppm}/^\circ\text{C}$
		$G > 1$ <sup>(4)</sup> , $T_A = -40^\circ\text{C to } +125^\circ\text{C}$		15	50	
	Gain nonlinearity	$G = 1$ , $V_O = -10\text{ V to } +10\text{ V}$		3	8	ppm
		$G > 1$ , $V_O = -10\text{ V to } +10\text{ V}$		See <a href="#">Figure 42 to Figure 45</a>		

(1) Total  $V_{OS}$ , referred-to-input =  $(V_{OSI}) + (V_{OSO} / G)$ .

(2) RTI = Referred-to-input.

(3) 300-hour life test at  $150^\circ\text{C}$  demonstrated a randomly distributed variation of approximately  $1\ \mu\text{V}$ .

(4) Does not include effects of external resistor  $R_G$ .

**Electrical Characteristics:  $V_S = \pm 4\text{ V}$  to  $\pm 18\text{ V}$  ( $V_S = 8\text{ V}$  to  $36\text{ V}$ ) (continued)**

 At  $T_A = 25^\circ\text{C}$ ,  $R_L = 10\text{ k}\Omega$ ,  $V_{REF} = V_S / 2$ , and  $G = 1$ , unless otherwise noted.

PARAMETER		TEST CONDITIONS	MIN	TYP	MAX	UNIT
<b>OUTPUT</b>						
Output voltage swing from rail <sup>(5)</sup>		$R_L = 10\text{ k}\Omega$ <sup>(5)</sup>		220	250	mV
Capacitive load drive				1		nF
$I_{SC}$	Short-circuit current	Continuous to common		$\pm 18$		mA
<b>FREQUENCY RESPONSE</b>						
BW	Bandwidth, -3 dB	$G = 1$		600		kHz
		$G = 10$		95		
		$G = 100$		15		
		$G = 1000$		1.5		
SR	Slew rate	$G = 1$ , $V_S = \pm 18\text{ V}$ , $V_O = 10\text{-V}$ step		0.9		V/ $\mu\text{s}$
		$G = 100$ , $V_S = \pm 18\text{ V}$ , $V_O = 10\text{-V}$ step		0.17		
$t_S$	Settling time	To 0.1%	$G = 1$ , $V_S = \pm 18\text{ V}$ , $V_{STEP} = 10\text{ V}$		50	$\mu\text{s}$
			$G = 100$ , $V_S = \pm 18\text{ V}$ , $V_{STEP} = 10\text{ V}$		400	
		To 0.01%	$G = 1$ , $V_S = \pm 18\text{ V}$ , $V_{STEP} = 10\text{ V}$		60	$\mu\text{s}$
			$G = 100$ , $V_S = \pm 18\text{ V}$ , $V_{STEP} = 10\text{ V}$		500	
Overload recovery		50% overdrive		75		$\mu\text{s}$
<b>REFERENCE INPUT</b>						
$R_{IN}$	Input impedance			40		k $\Omega$
Voltage range			V-		V+	V
<b>POWER SUPPLY</b>						
Voltage range	Single		4		36	V
	Dual		$\pm 2$		$\pm 18$	
$I_Q$	Quiescent current	$V_{IN} = V_S / 2$		1.4	1.6	mA
		$T_A = -40^\circ\text{C}$ to $+125^\circ\text{C}$			1.8	
<b>TEMPERATURE RANGE</b>						
Specified temperature range			-40		125	$^\circ\text{C}$
Operating temperature range			-55		150	$^\circ\text{C}$

 (5) See *Typical Characteristics* curves, *Output Voltage Swing vs Output Current* (Figure 19 to Figure 22).

## 6.6 Electrical Characteristics: $V_S = \pm 2\text{ V}$ to $< \pm 4\text{ V}$ ( $V_S = 4\text{ V}$ to $< 8\text{ V}$ )

At  $T_A = 25^\circ\text{C}$ ,  $R_L = 10\text{ k}\Omega$ ,  $V_{REF} = V_S / 2$ , and  $G = 1$ , unless otherwise noted. Specifications not shown are identical to the *Electrical Characteristics* table for  $V_S = \pm 2\text{ V}$  to  $\pm 18\text{ V}$  ( $V_S = 8\text{ V}$  to  $36\text{ V}$ ).

PARAMETER		TEST CONDITIONS	MIN	TYP	MAX	UNIT
<b>INPUT<sup>(1)</sup></b>						
$V_{OSI}$	Input stage offset voltage	At RTI <sup>(2)</sup>		$\pm 25$	$\pm 55$	$\mu\text{V}$
		At RTI, $T_A = -40^\circ\text{C}$ to $+125^\circ\text{C}$		$\pm 0.08$	$\pm 0.2$	$\mu\text{V}/^\circ\text{C}$
$V_{OSO}$	Output stage offset voltage	At RTI		$\pm 60$	$\pm 170$	$\mu\text{V}$
		At RTI, $T_A = -40^\circ\text{C}$ to $+125^\circ\text{C}$		$\pm 0.2$	$\pm 0.35$	$\mu\text{V}/^\circ\text{C}$
$V_{OS}$	Offset voltage	At RTI	$\pm 25 \pm 60 / G$	$\pm 55 \pm 170 / G$		$\mu\text{V}$
		At RTI, $T_A = -40^\circ\text{C}$ to $+125^\circ\text{C}$		$\pm 0.2 \pm 0.35 / G$		$\mu\text{V}/^\circ\text{C}$
	Long-term stability			1 <sup>(3)</sup>		$\mu\text{V}$
	Turn-on time to specified $V_{OSI}$		See the <a href="#">Typical Characteristics</a>			
$Z_{id}$	Differential input impedance		100    6			G $\Omega$    pF
$Z_{ic}$	Common-mode input impedance		100    9.5			
$V_{CM}$	Common-mode voltage range	$V_O = 0\text{ V}$ , the input signal common-mode range can be calculated with <a href="#">this tool</a>	(V-)		(V+) - 1.5	V
CMRR	Common-mode rejection ratio	$G = 1$ , at dc to 60 Hz, $V_{CM} = (V-) + 1.0\text{ V}$ to $(V+) - 2.5\text{ V}$	80	90		dB
		$G = 10$ , at dc to 60 Hz, $V_{CM} = (V-) + 1.0\text{ V}$ to $(V+) - 2.5\text{ V}$	94	110		
		$G = 100$ , at dc to 60 Hz, $V_{CM} = (V-) + 1.0\text{ V}$ to $(V+) - 2.5\text{ V}$	102	120		
		$G = 1000$ , at dc to 60 Hz, $V_{CM} = (V-) + 1.0\text{ V}$ to $(V+) - 2.5\text{ V}$	102	120		
<b>INPUT BIAS CURRENT</b>						
$I_{IB}$	Input bias current			$\pm 850$	$\pm 2500$	pA
		$T_A = -40^\circ\text{C}$ to $+125^\circ\text{C}$		See <a href="#">Figure 10</a>		$\text{pA}/^\circ\text{C}$
$I_{OS}$	Input offset current			$\pm 850$	$\pm 2500$	pA
		$T_A = -40^\circ\text{C}$ to $+125^\circ\text{C}$		See <a href="#">Figure 11</a>		$\text{pA}/^\circ\text{C}$
<b>INPUT VOLTAGE NOISE</b>						
$e_{NI}$	Input voltage noise	$f = 1\text{ kHz}$ , $G = 100$ , $R_S = 0\ \Omega$		12.5		$\text{nV}/\sqrt{\text{Hz}}$
		$f = 0.1\text{ Hz}$ to $10\text{ Hz}$ , $G = 100$ , $R_S = 0\ \Omega$		0.25		$\mu\text{V}_{PP}$
$e_{NO}$	Output voltage noise	$f = 1\text{ kHz}$ , $G = 100$ , $R_S = 0\ \Omega$		118		$\text{nV}/\sqrt{\text{Hz}}$
		$f = 0.1\text{ Hz}$ to $10\text{ Hz}$ , $G = 100$ , $R_S = 0\ \Omega$		2.5		$\mu\text{V}_{PP}$
$i_N$	Input current noise	$f = 1\text{ kHz}$		430		$\text{fA}/\sqrt{\text{Hz}}$
		$f = 0.1\text{ Hz}$ to $10\text{ Hz}$		10		$\text{pA}_{PP}$
<b>GAIN</b>						
G	Gain equation		$1 + (50\text{ k}\Omega / R_G)$			V/V
	Gain range		1		1000	V/V
$E_G$	Gain error	$G = 1$ , $(V-) + 0.5\text{ V} \leq V_O \leq (V+) - 1.5\text{ V}$		$\pm 0.007\%$	$\pm 0.05\%$	
		$G = 10$ , $(V-) + 0.5\text{ V} \leq V_O \leq (V+) - 1.5\text{ V}$		$\pm 0.07\%$	$\pm 0.2\%$	
		$G = 100$ , $(V-) + 0.5\text{ V} \leq V_O \leq (V+) - 1.5\text{ V}$		$\pm 0.07\%$	$\pm 0.2\%$	
		$G = 1000$ , $(V-) + 0.5\text{ V} \leq V_O \leq (V+) - 1.5\text{ V}$		$\pm 0.25\%$	$\pm 0.5\%$	
	Gain versus temperature	$G = 1$ , $T_A = -40^\circ\text{C}$ to $+125^\circ\text{C}$		1	5	ppm/ $^\circ\text{C}$
		$G > 1$ <sup>(4)</sup> , $T_A = -40^\circ\text{C}$ to $+125^\circ\text{C}$		15	50	
	Gain nonlinearity	$G = 1$ , $V_O = (V-) + 0.5\text{ V} \leq V_O \leq (V+) - 1.5\text{ V}$		3	8	ppm

(1) Total  $V_{OS}$ , referred-to-input =  $(V_{OSI}) + (V_{OSO} / G)$ .

(2) RTI = Referred-to-input.

(3) 300-hour life test at  $150^\circ\text{C}$  demonstrated randomly distributed variation of approximately  $1\ \mu\text{V}$ .

(4) Does not include effects of external resistor  $R_G$ .

**Electrical Characteristics:  $V_S = \pm 2\text{ V}$  to  $< \pm 4\text{ V}$  ( $V_S = 4\text{ V}$  to  $< 8\text{ V}$ ) (continued)**

At  $T_A = 25^\circ\text{C}$ ,  $R_L = 10\text{ k}\Omega$ ,  $V_{REF} = V_S / 2$ , and  $G = 1$ , unless otherwise noted. Specifications not shown are identical to the *Electrical Characteristics* table for  $V_S = \pm 2\text{ V}$  to  $\pm 18\text{ V}$  ( $V_S = 8\text{ V}$  to  $36\text{ V}$ ).

PARAMETER		TEST CONDITIONS	MIN	TYP	MAX	UNIT
<b>OUTPUT</b>						
	Output voltage swing from rail <sup>(5)</sup>	$R_L = 10\text{ k}\Omega$		220	250	mV
	Capacitive load drive			1		nF
$I_{SC}$	Short-circuit current	Continuous to common		$\pm 18$		mA
<b>FREQUENCY RESPONSE</b>						
BW	Bandwidth, –3 dB	$G = 1$		600		kHz
		$G = 10$		95		
		$G = 100$		15		
		$G = 1000$		1.5		
SR	Slew rate	$G = 1, V_S = 5\text{ V}, V_O = 4\text{-V step}$		0.9		V/ $\mu\text{s}$
		$G = 100, V_S = 5\text{ V}, V_O = 4\text{-V step}$		0.17		
$t_s$	Settling time	To 0.1%	$G = 1, V_S = 5\text{ V}, V_{STEP} = 4\text{ V}$		50	$\mu\text{s}$
			$G = 100, V_S = 5\text{ V}, V_{STEP} = 4\text{ V}$		400	
		To 0.01%	$G = 1, V_S = 5\text{ V}, V_{STEP} = 4\text{ V}$		60	$\mu\text{s}$
			$G = 100, V_S = 5\text{ V}, V_{STEP} = 4\text{ V}$		500	
	Overload recovery	50% overdrive		75		$\mu\text{s}$
<b>REFERENCE INPUT</b>						
$R_{IN}$	Input impedance			40		k $\Omega$
	Voltage range		V–		V+	V
<b>POWER SUPPLY</b>						
	Voltage range	Single		4	36	V
		Dual		$\pm 2$	$\pm 18$	
$I_Q$	Quiescent current	$V_{IN} = V_S / 2$		1.4	1.6	mA
		$T_A = -40^\circ\text{C}$ to $+125^\circ\text{C}$			1.8	
<b>TEMPERATURE RANGE</b>						
	Specified temperature range		–40		125	$^\circ\text{C}$
	Operating temperature range		–55		150	$^\circ\text{C}$

(5) See *Typical Characteristics* curves, *Output Voltage Swing vs Output Current* (Figure 19 to Figure 22).



## 6.7 Typical Characteristics

At  $T_A = 25^\circ\text{C}$ ,  $V_S = \pm 15\text{ V}$ ,  $R_L = 10\text{ k}\Omega$ ,  $V_{REF} = \text{midsupply}$ , and  $G = 1$ , unless otherwise noted.

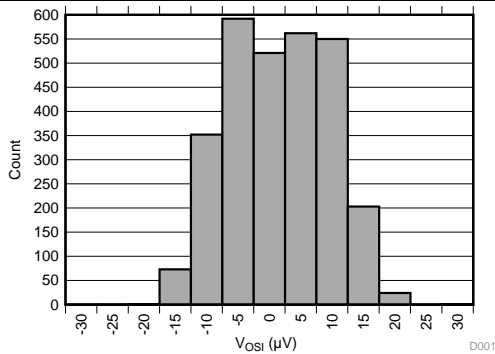


Figure 1. Input Voltage Offset Distribution

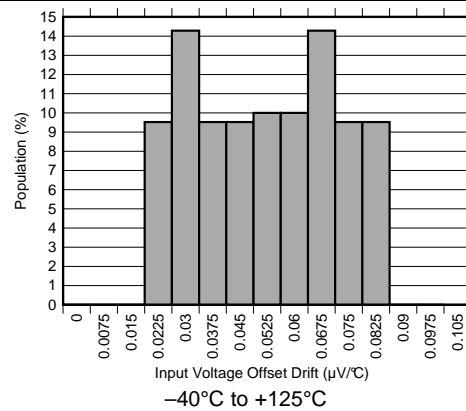


Figure 2. Input Voltage Offset Drift Distribution

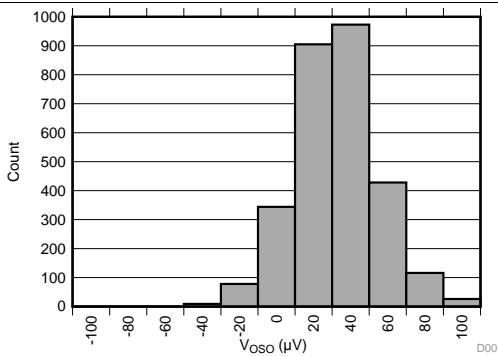


Figure 3. Output Voltage Offset Distribution

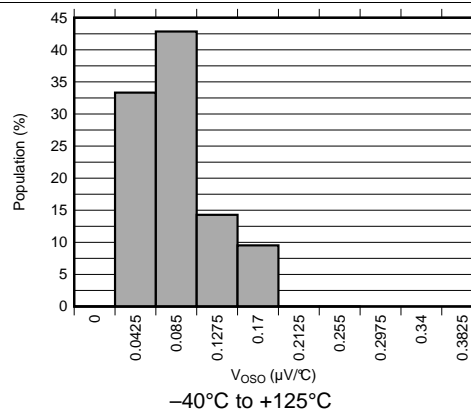


Figure 4. Output Voltage Offset Drift Distribution

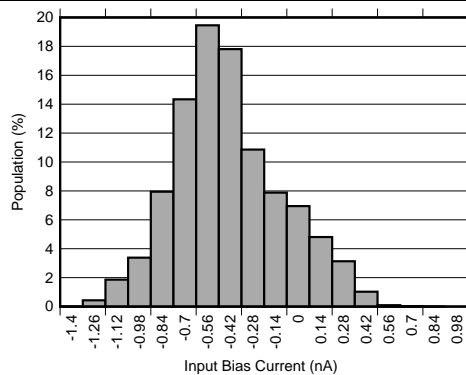


Figure 5. Input Bias Current Distribution

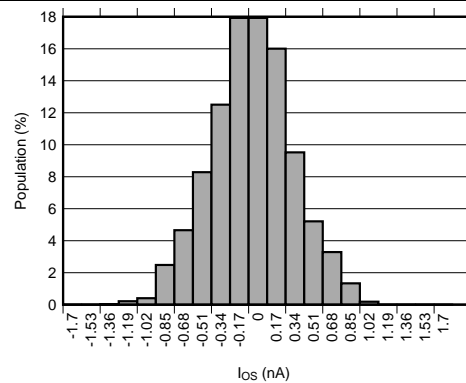


Figure 6. Input Offset Current Distribution

Typical Characteristics (continued)

At  $T_A = 25^\circ\text{C}$ ,  $V_S = \pm 15\text{ V}$ ,  $R_L = 10\text{ k}\Omega$ ,  $V_{REF} = \text{mid supply}$ , and  $G = 1$ , unless otherwise noted.

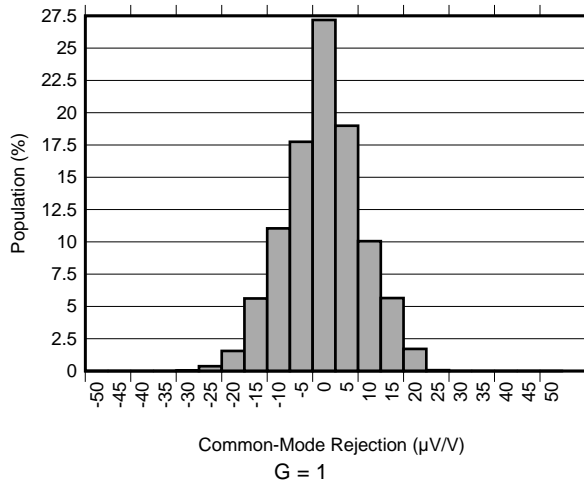


Figure 7. CMRR Distribution

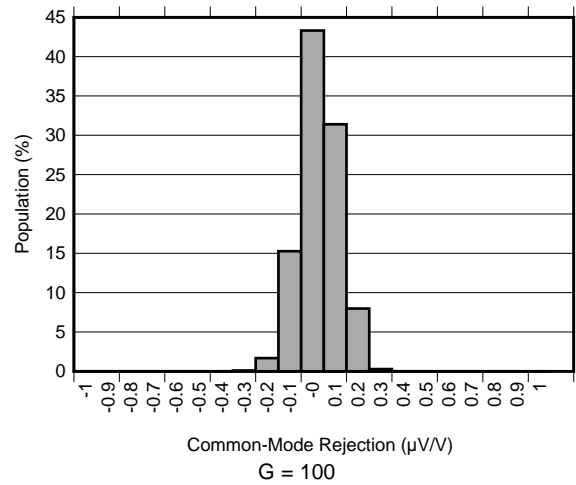


Figure 8. CMRR Distribution

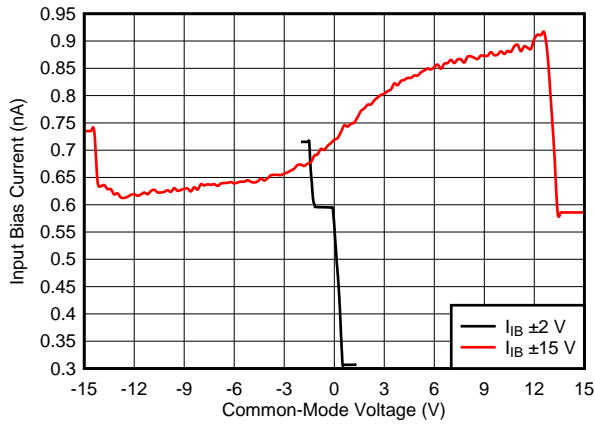


Figure 9. Input Bias Current vs Common-Mode Voltage

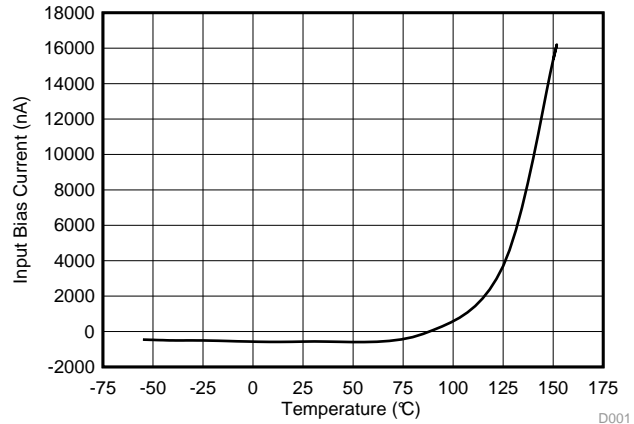


Figure 10. Input Bias Current vs Temperature

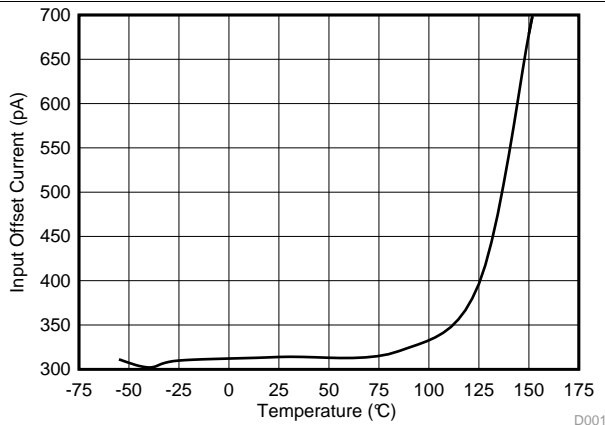


Figure 11. Input Offset Current vs Temperature

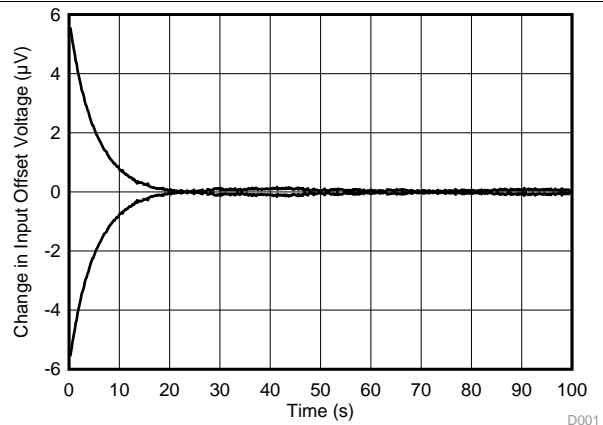


Figure 12. Change in Input Offset Voltage vs Warm-Up Time

### Typical Characteristics (continued)

At  $T_A = 25^\circ\text{C}$ ,  $V_S = \pm 15\text{ V}$ ,  $R_L = 10\text{ k}\Omega$ ,  $V_{REF} = \text{midsupply}$ , and  $G = 1$ , unless otherwise noted.

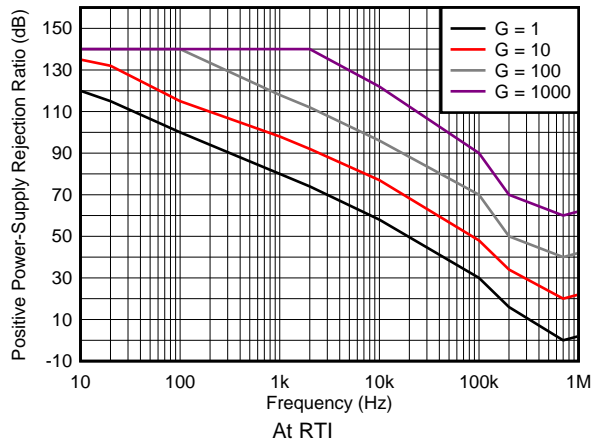


Figure 13. Positive PSRR vs Frequency

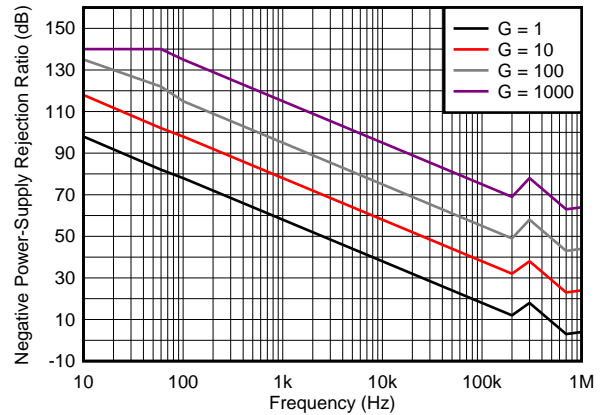


Figure 14. Negative PSRR vs Frequency

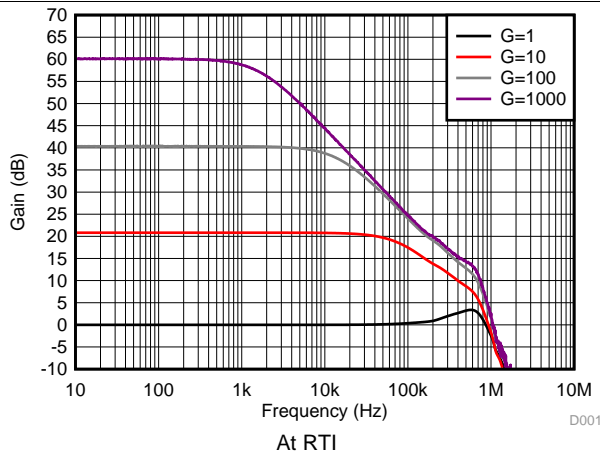


Figure 15. Gain vs Frequency

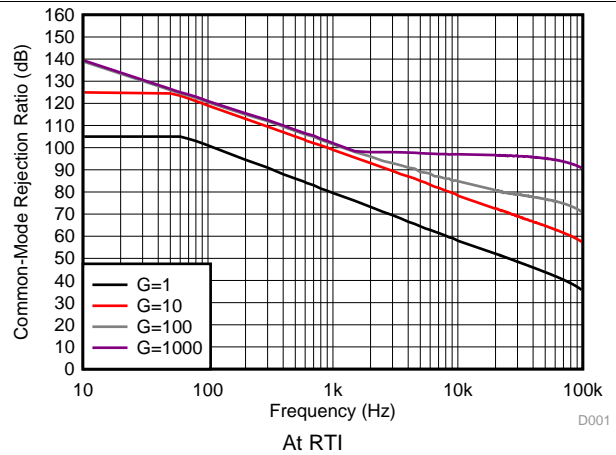


Figure 16. CMRR vs Frequency

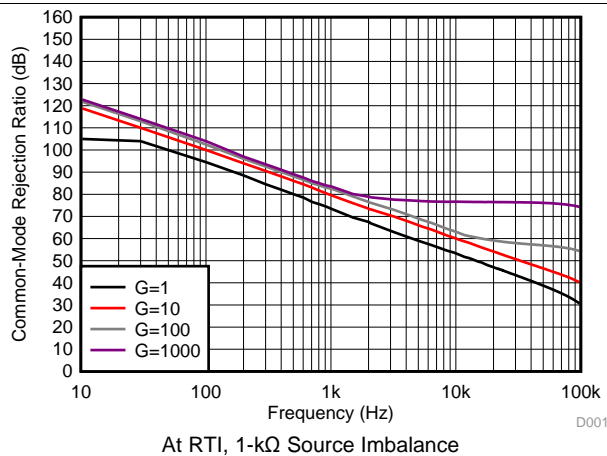


Figure 17. CMRR vs Frequency

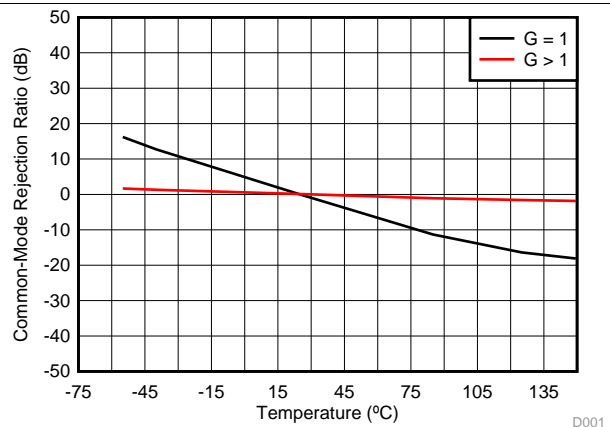


Figure 18. Common-Mode Rejection Ratio vs Temperature

### Typical Characteristics (continued)

At  $T_A = 25^\circ\text{C}$ ,  $V_S = \pm 15\text{ V}$ ,  $R_L = 10\text{ k}\Omega$ ,  $V_{REF} = \text{mid supply}$ , and  $G = 1$ , unless otherwise noted.

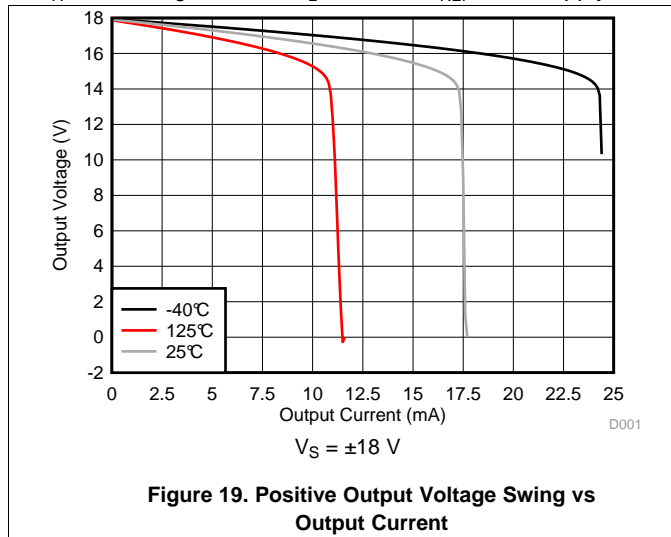


Figure 19. Positive Output Voltage Swing vs Output Current

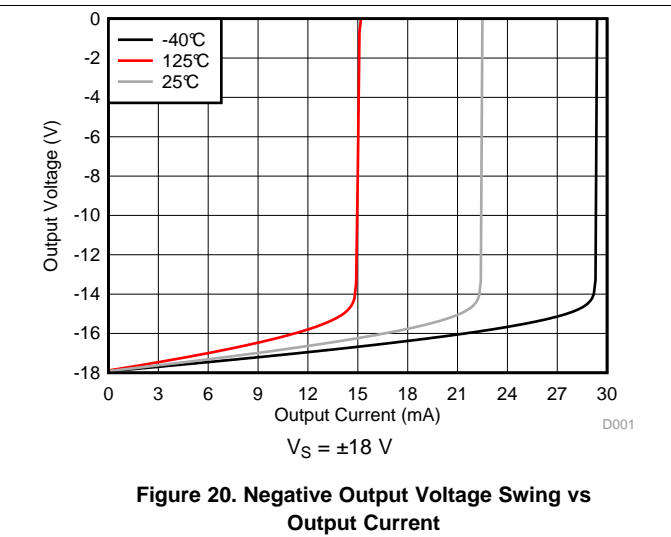


Figure 20. Negative Output Voltage Swing vs Output Current

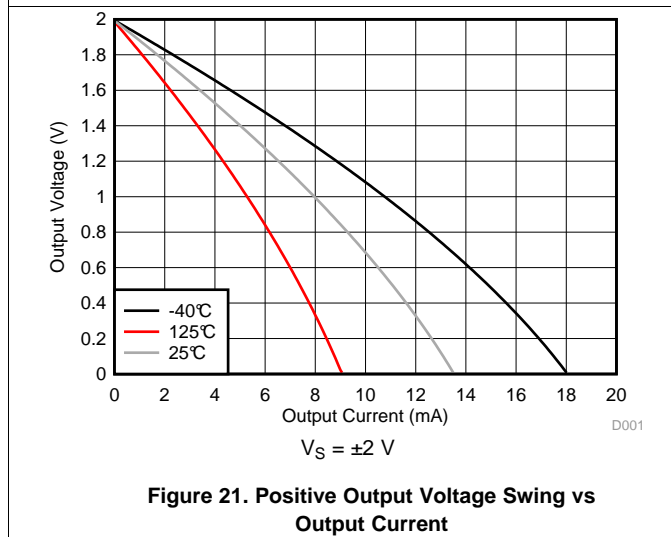


Figure 21. Positive Output Voltage Swing vs Output Current

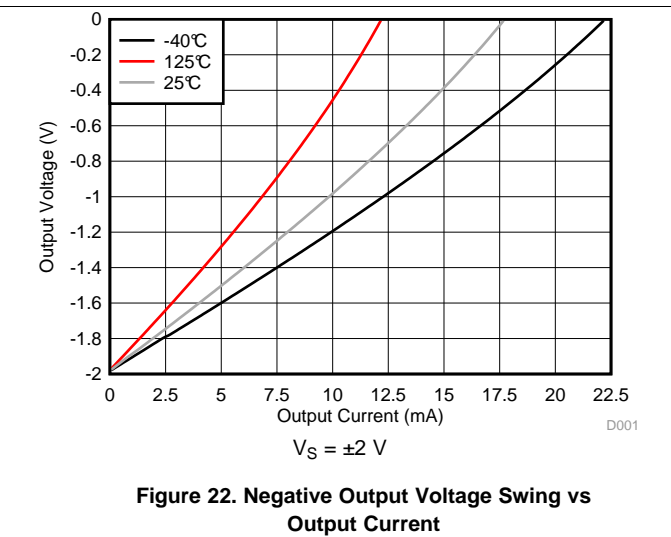


Figure 22. Negative Output Voltage Swing vs Output Current

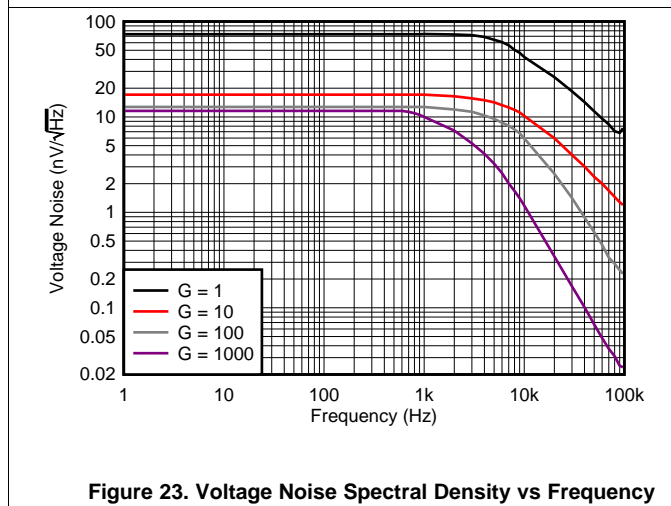


Figure 23. Voltage Noise Spectral Density vs Frequency

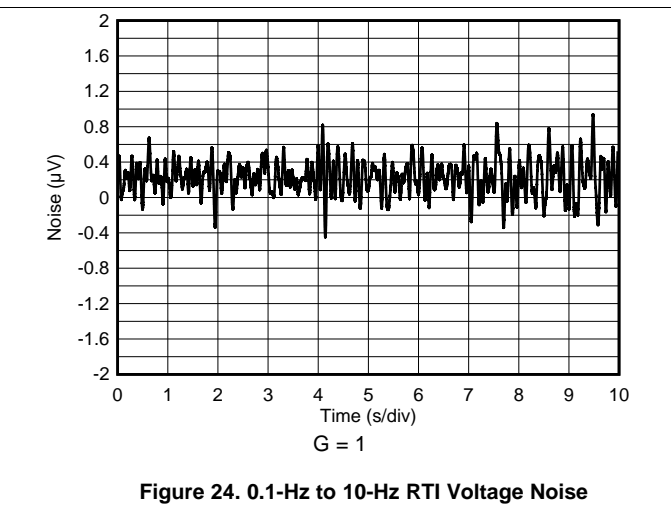


Figure 24. 0.1-Hz to 10-Hz RTI Voltage Noise

Typical Characteristics (continued)

At  $T_A = 25^\circ\text{C}$ ,  $V_S = \pm 15\text{ V}$ ,  $R_L = 10\text{ k}\Omega$ ,  $V_{REF} = \text{mid supply}$ , and  $G = 1$ , unless otherwise noted.

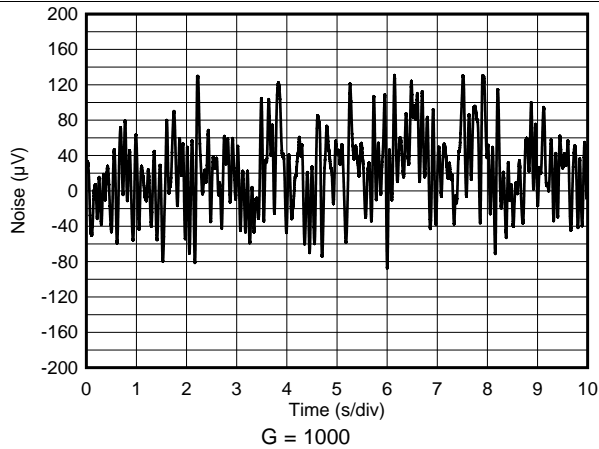


Figure 25. 0.1-Hz to 10-Hz RTI Voltage Noise

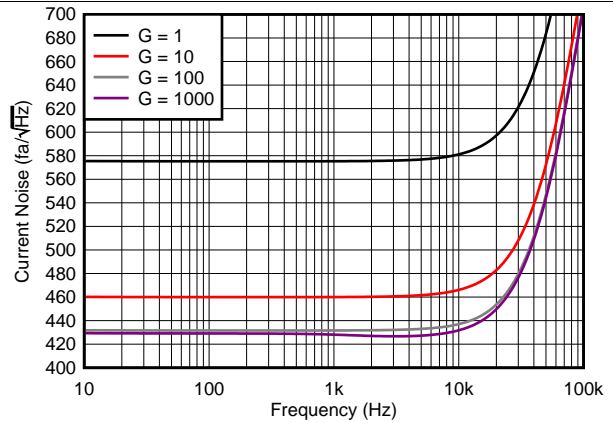


Figure 26. Current Noise Spectral Density vs Frequency

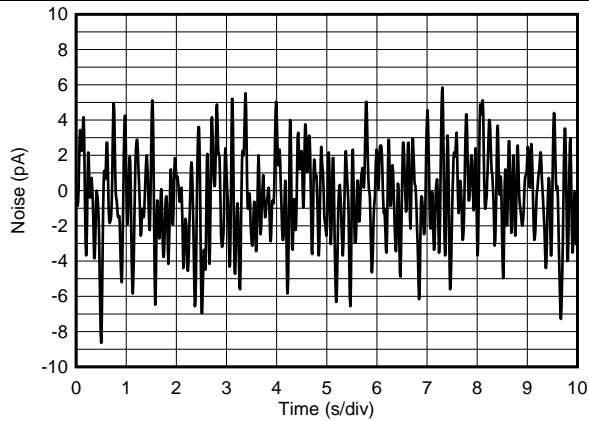


Figure 27. 0.1-Hz to 10-Hz RTI Current Noise

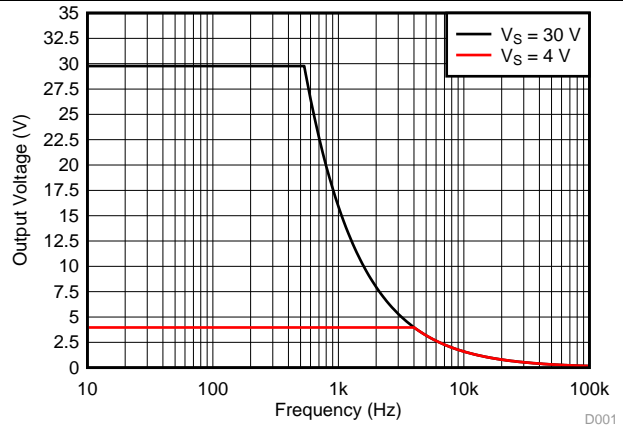


Figure 28. Large-Signal Response vs Frequency

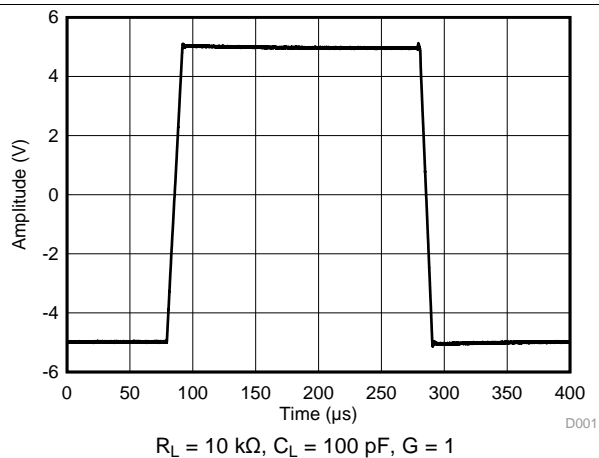


Figure 29. Large-Signal Pulse Response

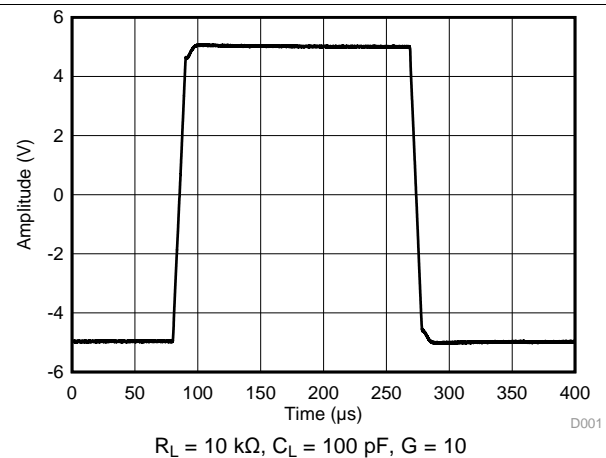
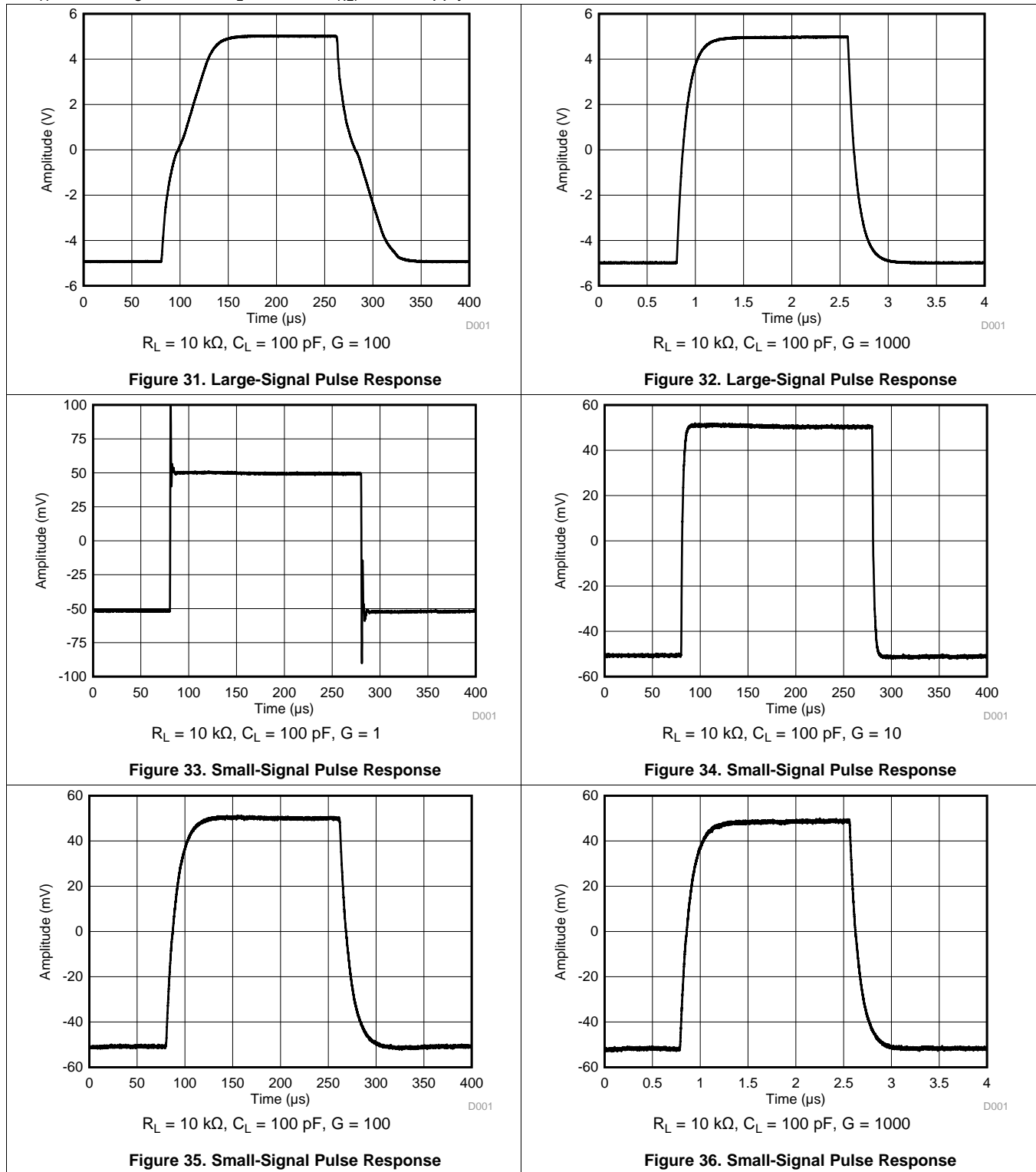


Figure 30. Large-Signal Pulse Response

### Typical Characteristics (continued)

At  $T_A = 25^\circ\text{C}$ ,  $V_S = \pm 15\text{ V}$ ,  $R_L = 10\text{ k}\Omega$ ,  $V_{REF} = \text{mid supply}$ , and  $G = 1$ , unless otherwise noted.



Typical Characteristics (continued)

At  $T_A = 25^\circ\text{C}$ ,  $V_S = \pm 15\text{ V}$ ,  $R_L = 10\text{ k}\Omega$ ,  $V_{REF} = \text{mid supply}$ , and  $G = 1$ , unless otherwise noted.

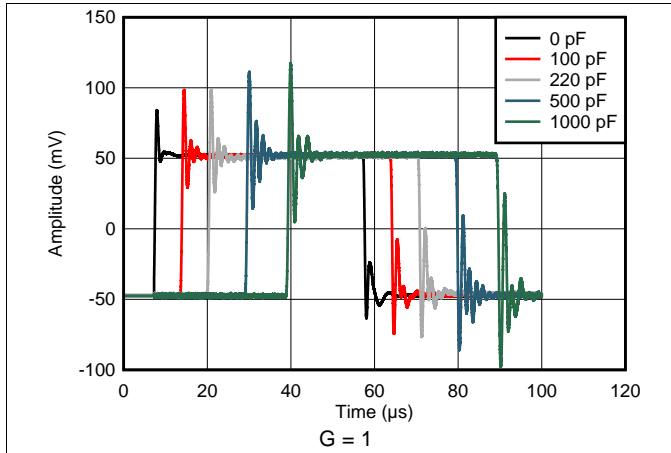


Figure 37. Small-Signal Response vs Capacitive Load

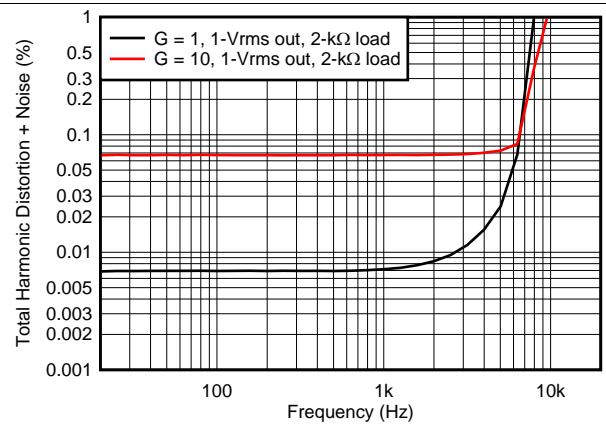


Figure 38. Total Harmonic Distortion + Noise vs Frequency

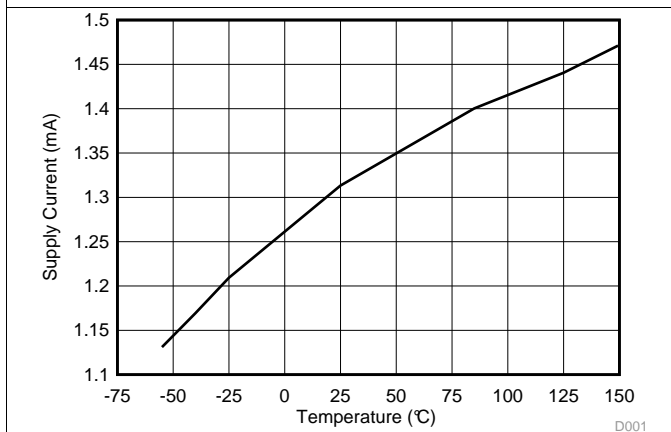


Figure 39. Supply Current vs Temperature

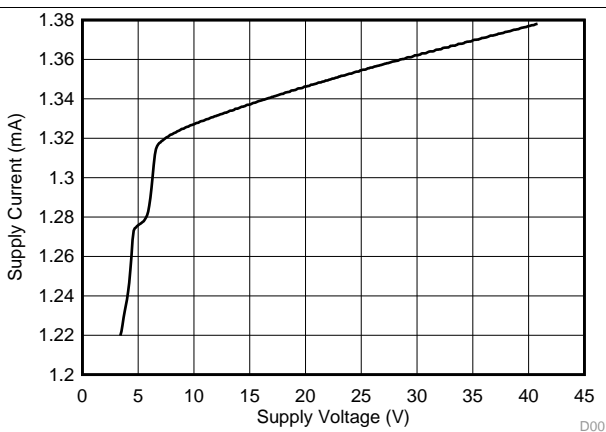


Figure 40. Supply Current vs Supply Voltage

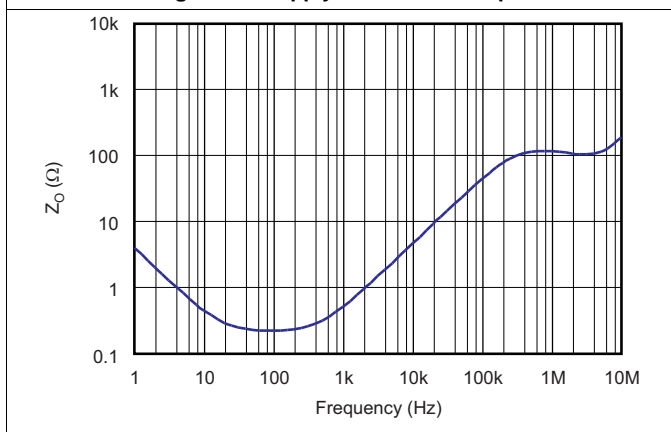


Figure 41. Open-Loop Output Impedance

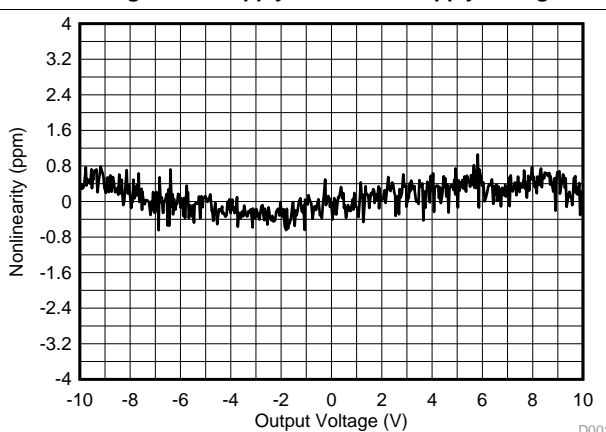


Figure 42. Gain Nonlinearity

Typical Characteristics (continued)

At  $T_A = 25^\circ\text{C}$ ,  $V_S = \pm 15\text{ V}$ ,  $R_L = 10\text{ k}\Omega$ ,  $V_{REF} = \text{mid supply}$ , and  $G = 1$ , unless otherwise noted.

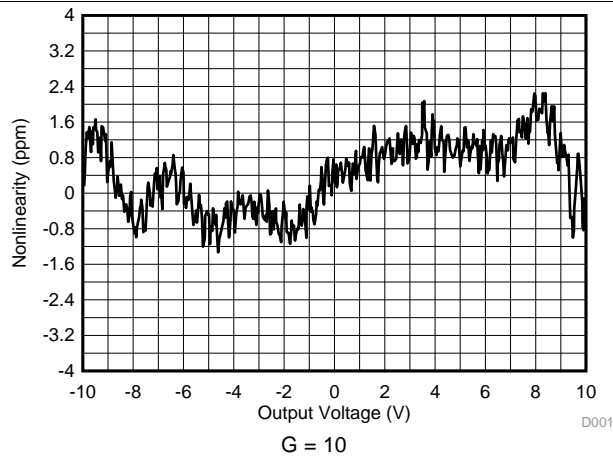


Figure 43. Gain Nonlinearity

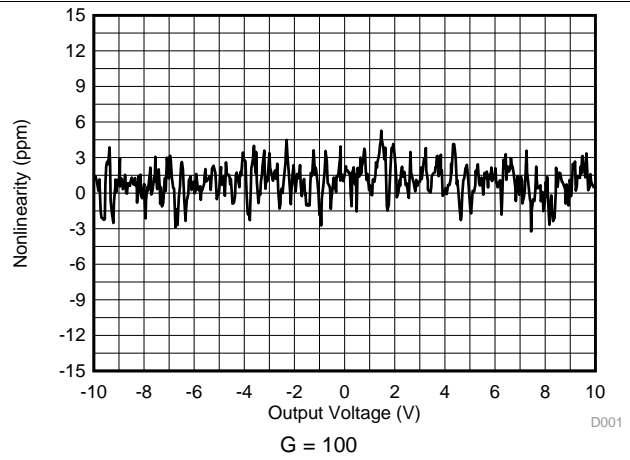


Figure 44. Gain Nonlinearity

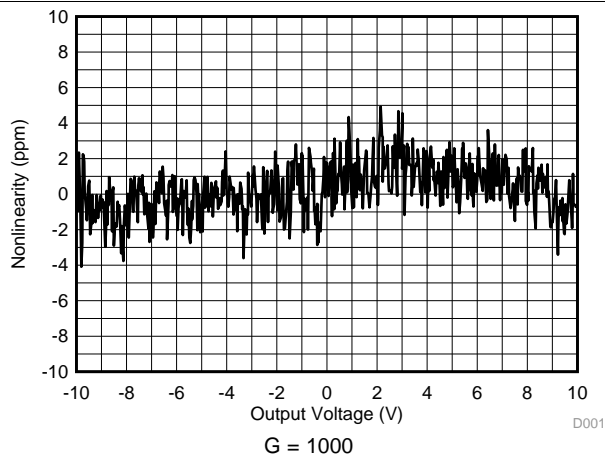


Figure 45. Gain Nonlinearity

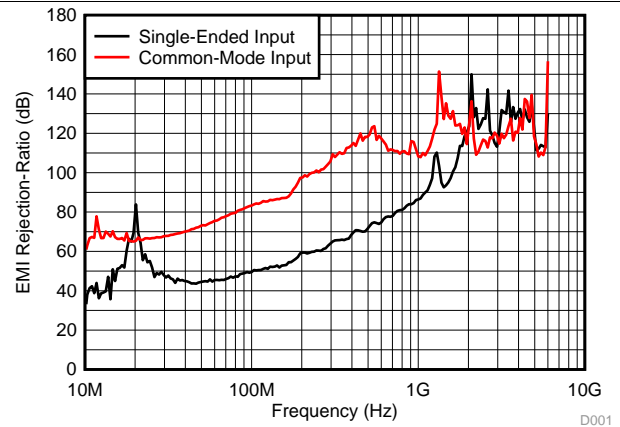


Figure 46. EMIRR

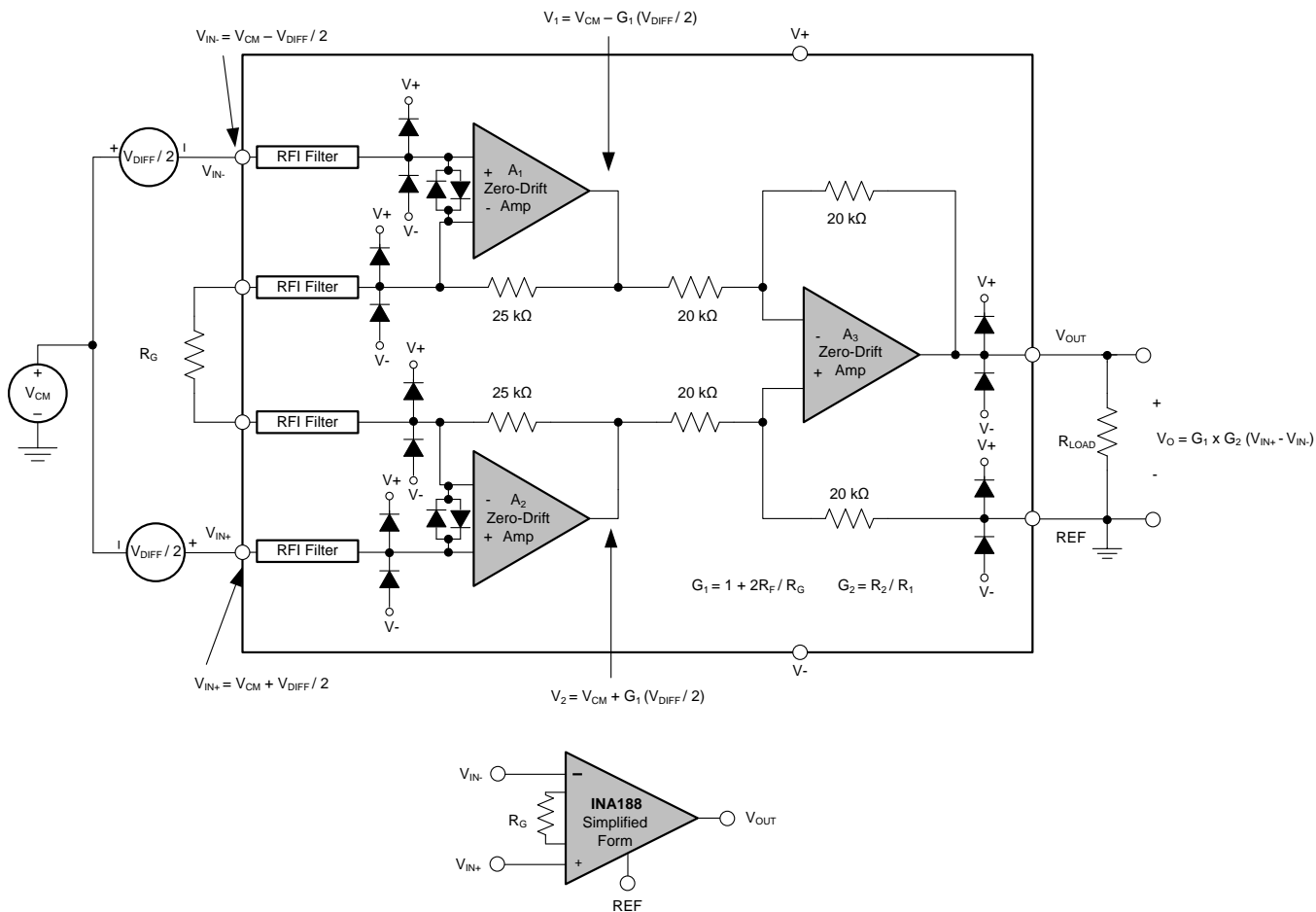


## 7 Detailed Description

### 7.1 Overview

The INA188 is a monolithic instrumentation amplifier (INA) based on the 36-V, precision zero-drift OPA188 (operational amplifier) core. The INA188 also integrates laser-trimmed resistors to ensure excellent common-mode rejection and low gain error. The combination of the zero-drift amplifier core and the precision resistors allows this device to achieve outstanding dc precision and makes the INA188 ideal for many high-voltage industrial applications.

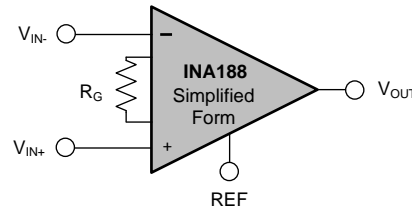
### 7.2 Functional Block Diagram



## 7.3 Feature Description

### 7.3.1 Inside the INA188

The [Functional Block Diagram](#) section provides a detailed diagram for the INA188, including the ESD protection and radio frequency interference (RFI) filtering. Instrumentation amplifiers are commonly represented in a simplified form, as shown in [Figure 47](#).



**Figure 47. INA Simplified Form**

A brief description of the internal operation is as follows:

The differential input voltage applied across  $R_G$  causes a signal current to flow through the  $R_G$  resistor and both  $R_F$  resistors. The output difference amplifier ( $A_3$ ) removes the common-mode component of the input signal and refers the output signal to the REF pin.

The equations shown in the [Functional Block Diagram](#) section describe the output voltages of  $A_1$  and  $A_2$ . Understanding the internal node voltages is useful to avoid saturating the device and to ensure proper device operation.

### 7.3.2 Setting the Gain

The gain of the INA188 is set by a single external resistor,  $R_G$ , connected between pins 1 and 8. The value of  $R_G$  is selected according to [Equation 1](#):

$$G = 1 + \frac{50 \text{ k}\Omega}{R_G} \quad (1)$$

[Table 1](#) lists several commonly-used gains and resistor values. The 50-k $\Omega$  term in [Equation 1](#) comes from the sum of the two internal 25-k $\Omega$  feedback resistors. These on-chip resistors are laser-trimmed to accurate absolute values. The accuracy and temperature coefficients of these resistors are included in the gain accuracy and drift specifications of the INA188.

**Table 1. Commonly-Used Gains and Resistor Values**

DESIRED GAIN	$R_G$ ( $\Omega$ )	NEAREST 1% $R_G$ ( $\Omega$ )
1	NC <sup>(1)</sup>	NC
2	50k	49.9k
5	12.5k	12.4k
10	5.556k	5.49k
20	2.632k	2.61k
50	1.02k	1.02k
100	505.1	511
200	251.3	249
500	100.2	100
1000	50.05	49.9

(1) NC denotes no connection. When using the SPICE model, the simulation does not converge unless a resistor is connected to the  $R_G$  pins; use a very large resistor value.

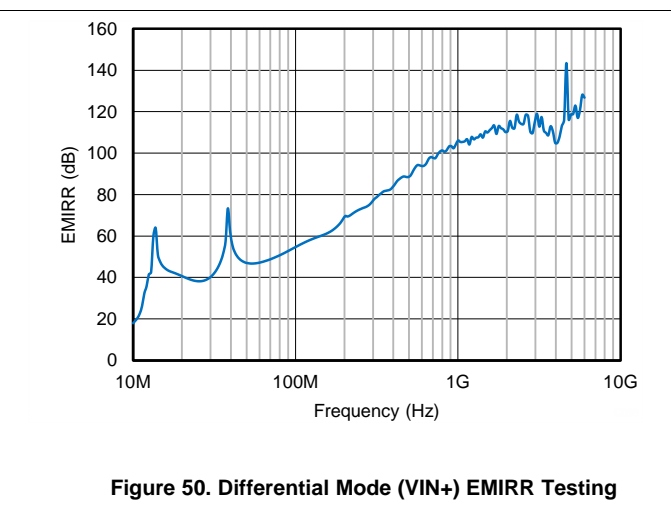
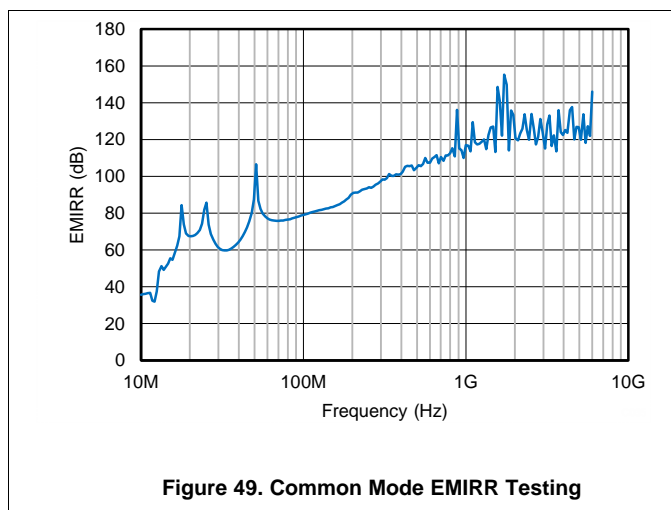


### 7.3.3.3 Input Bias Current Clock Feedthrough

Zero-drift amplifiers, such as the INA188, use switching on their inputs to correct for the intrinsic offset and drift of the amplifier. Charge injection from the integrated switches on the inputs can introduce very short transients in the input bias current of the amplifier. The extremely short duration of these pulses prevents them from being amplified; however, the pulses can be coupled to the output of the amplifier through the feedback network. The most effective method to prevent transients in the input bias current from producing additional noise at the amplifier output is to use a low-pass filter (such as an RC network).

### 7.3.4 EMI Rejection

The INA188 uses integrated electromagnetic interference (EMI) filtering to reduce the effects of EMI from sources (such as wireless communications) and densely-populated boards with a mix of analog signal-chain and digital components. The INA188 is specifically designed to minimize susceptibility to EMI by incorporating an internal low-pass filter. Depending on the end-system requirements, additional EMI filters may be required near the signal inputs of the system, as well as incorporating known good practices such as using short traces, low-pass filters, and damping resistors combined with parallel and shielded signal routing. Texas Instruments developed a method to accurately measure the immunity of an amplifier over a broad frequency spectrum, extending from 10 MHz to 6 GHz. This method uses an EMI rejection ratio (EMIRR) to quantify the INA188 ability to reject EMI. [Figure 49](#) and [Figure 50](#) show the INA188 EMIRR graph for both differential and common-mode EMI rejection across this frequency range. [Table 2](#) shows the EMIRR values for the INA188 at frequencies commonly encountered in real-world applications. Applications listed in [Table 2](#) can be centered on or operated near the particular frequency shown.



**Table 2. INA188 EMIRR for Frequencies of Interest**

FREQUENCY	APPLICATION OR ALLOCATION	DIFFERENTIAL (IN-P) EMIRR	COMMON-MODE EMIRR
400 MHz	Mobile radio, mobile satellite, space operation, weather, radar, ultrahigh-frequency (UHF) applications	83 dB	101 dB
900 MHz	Global system for mobile communications (GSM) applications, radio communication, navigation, GPS (to 1.6 GHz), GSM, aeronautical mobile, UHF applications	103 dB	118 dB
1.8 GHz	GSM applications, mobile personal communications, broadband, satellite, L-band (1 GHz to 2 GHz)	112 dB	125 dB
2.4 GHz	802.11b, 802.11g, 802.11n, Bluetooth®, mobile personal communications, industrial, scientific and medical (ISM) radio band, amateur radio and satellite, S-band (2 GHz to 4 GHz)	114 dB	123 dB
3.6 GHz	Radiolocation, aero communication and navigation, satellite, mobile, S-band	110 dB	121 dB
5.0 GHz	802.11a, 802.11n, aero communication and navigation, mobile communication, space and satellite operation, C-band (4 GHz to 8 GHz)	119 dB	123 dB

### 7.3.5 Input Protection and Electrical Overstress

Designers often ask questions about the capability of an amplifier to withstand electrical overstress. These questions tend to focus on the device inputs, but can involve the supply voltage pins or even the output pin. Each of these different pin functions have electrical stress limits determined by the voltage breakdown characteristics of the particular semiconductor fabrication process and specific circuits connected to the pin. Additionally, internal ESD protection is built into these circuits to protect them from accidental ESD events both before and during product assembly.

Having a good understanding of this basic ESD circuitry and its relevance to an electrical overstress event is helpful. The [Functional Block Diagram](#) section illustrates the ESD circuits contained in the INA188. The ESD protection circuitry involves several current-steering diodes connected from the input and output pins and routed back to the internal power-supply lines. This protection circuitry is intended to remain inactive during normal circuit operation.

The input pins of the INA188 are protected with internal diodes connected to the power-supply rails. These diodes clamp the applied signal to prevent the input circuitry from being damaged. If the input signal voltage can exceed the power supplies by more than 0.3 V, limit the input signal current to less than 10 mA to protect the internal clamp diodes. This current limiting can generally be done with a series input resistor. Some signal sources are inherently current-limited and do not require limiting resistors.

### 7.3.6 Input Common-Mode Range

The linear input voltage range of the INA188 input circuitry extends from 100 mV inside the negative supply voltage to 1.5 V below the positive supply, and maintains 84-dB (minimum) common-mode rejection throughout this range. The common-mode range for most common operating conditions is best calculated using the [INA common-mode range calculating tool](#). The INA188 can operate over a wide range of power supplies and  $V_{REF}$  configurations, thus providing a comprehensive guide to common-mode range limits for all possible conditions is impractical.

The most commonly overlooked overload condition occurs when a circuit exceeds the output swing of  $A_1$  and  $A_2$ , which are internal circuit nodes that cannot be measured. Calculating the expected voltages at the output of  $A_1$  and  $A_2$  (see the [Functional Block Diagram](#) section) provides a check for the most common overload conditions. The designs of  $A_1$  and  $A_2$  are identical and the outputs can swing to within approximately 250 mV of the power-supply rails. For example, when the  $A_2$  output is saturated,  $A_1$  can continue to be in linear operation, responding to changes in the noninverting input voltage. This difference can give the appearance of linear operation but the output voltage is invalid.

## 7.4 Device Functional Modes

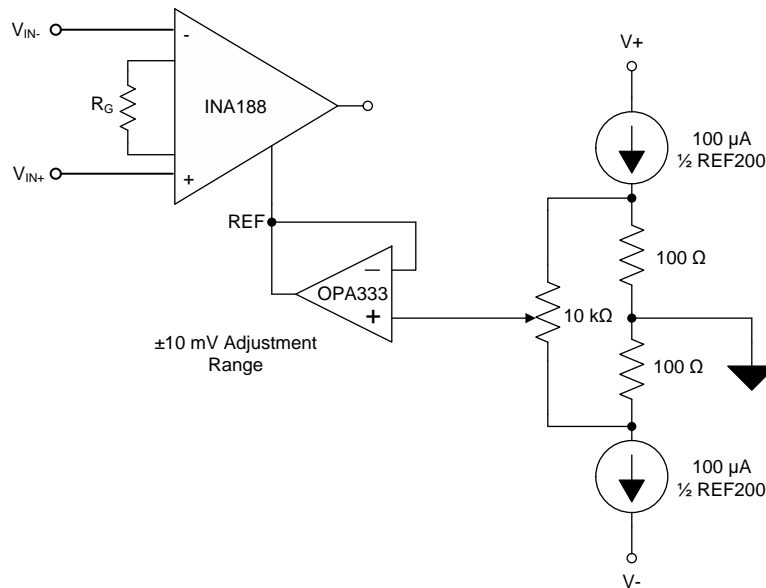
### 7.4.1 Single-Supply Operation

The INA188 can be used on single power supplies of 4 V to 36 V. Use the output REF pin to level shift the internal output voltage into a linear operating condition. Ideally, connecting the REF pin to a potential that is mid-supply avoids saturating the output of the input amplifiers ( $A_1$  and  $A_2$ ). Actual output voltage swing is limited to 250 mV above ground when the load is referred to ground. The typical characteristic curves, *Output Voltage Swing vs Output Current* ([Figure 19](#) to [Figure 22](#)) illustrates how the output voltage swing varies with output current. See the [Driving the Reference Pin](#) section for information on how to adequately drive the reference pin.

With single-supply operation,  $V_{IN+}$  and  $V_{IN-}$  must both be 0.1 V above ground for linear operation. For instance, the inverting input cannot be connected to ground to measure a voltage connected to the noninverting input.

**Device Functional Modes (continued)**
**7.4.2 Offset Trimming**

Most applications require no external offset adjustment; however, if necessary, adjustments can be made by applying a voltage to the REF pin. Figure 51 shows an optional circuit for trimming the output offset voltage. The voltage applied to the REF pin is summed at the output. The op amp buffer provides low impedance at the REF pin to preserve good common-mode rejection.



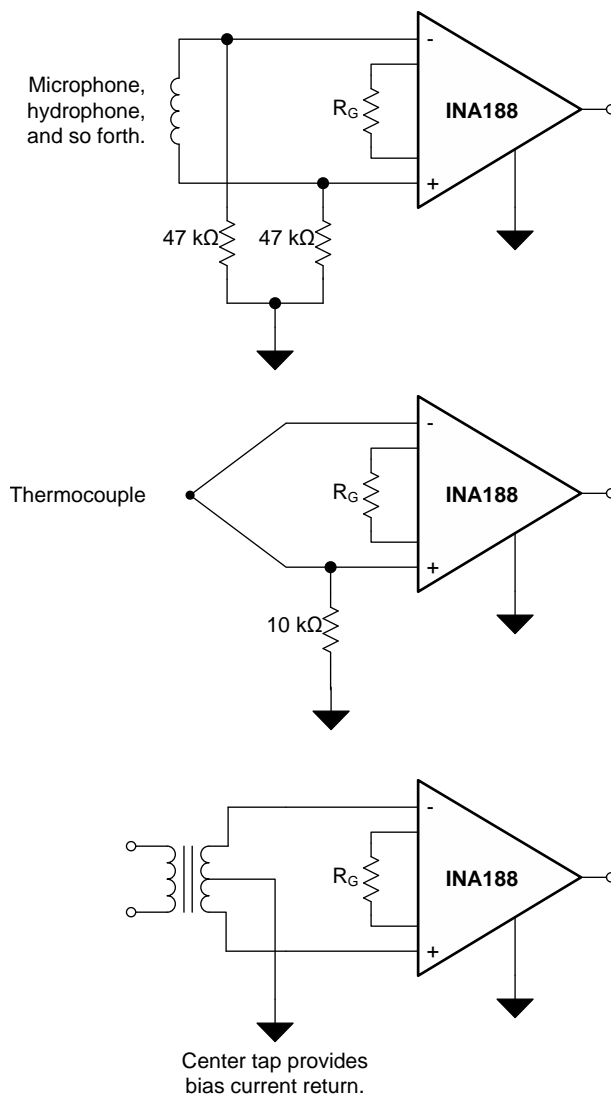
**Figure 51. Optional Trimming of the Output Offset Voltage**

## Device Functional Modes (continued)

### 7.4.3 Input Bias Current Return Path

The input impedance of the INA188 is extremely high—approximately 20 G $\Omega$ . However, a path must be provided for the input bias current of both inputs. This input bias current is typically 750 pA. High input impedance means that this input bias current changes very little with varying input voltage.

Input circuitry must provide a path for this input bias current for proper operation. [Figure 52](#) shows various provisions for an input bias current path. Without a bias current path, the inputs float to a potential that exceeds the common-mode range of the INA188, and the input amplifiers saturate. If the differential source resistance is low, the bias current return path can be connected to one input (as shown in the thermocouple example in [Figure 52](#)). With a higher source impedance, using two equal resistors provides a balanced input with possible advantages of a lower input offset voltage as a result of bias current and better high-frequency common-mode rejection.



**Figure 52. Providing an Input Common-Mode Current Path**

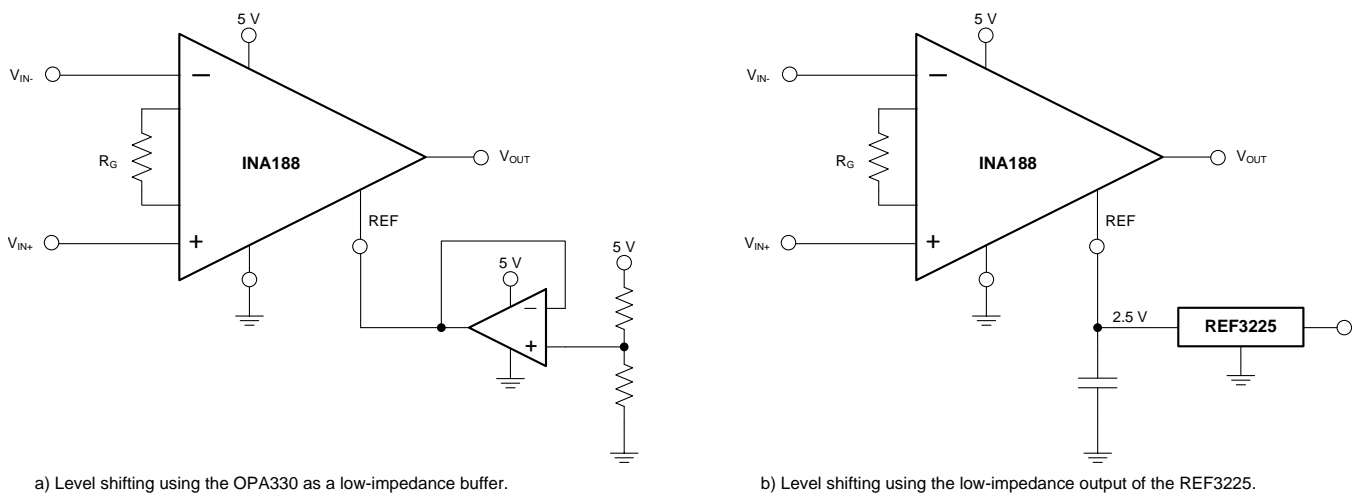
## Device Functional Modes (continued)

### 7.4.4 Driving the Reference Pin

The output voltage of the INA188 is developed with respect to the voltage on the reference pin. Often, the reference pin (pin 5) is connected to the low-impedance system ground in dual-supply operation. In single-supply operation, offsetting the output signal to a precise mid-supply level (for example, 2.5 V in a 5-V supply environment) can be useful. To accomplish this, a voltage source can be tied to the REF pin to level-shift the output so that the INA188 can drive a single-supply analog-to-digital converter (ADC).

For best performance, keep the source impedance to the REF pin below 5  $\Omega$ . As illustrated in the [Functional Block Diagram](#) section, the reference pin is internally connected to a 20-k $\Omega$  resistor. Additional impedance at the REF pin adds to this 20-k $\Omega$  resistor. The imbalance in the resistor ratios results in degraded common-mode rejection ratio (CMRR).

[Figure 53](#) shows two different methods of driving the reference pin with low impedance. The [OPA330](#) is a low-power, chopper-stabilized amplifier, and therefore offers excellent stability over temperature. The OPA330 is available in a space-saving SC70 and an even smaller chip-scale package. The [REF3225](#) is a precision reference in a small SOT23-6 package.



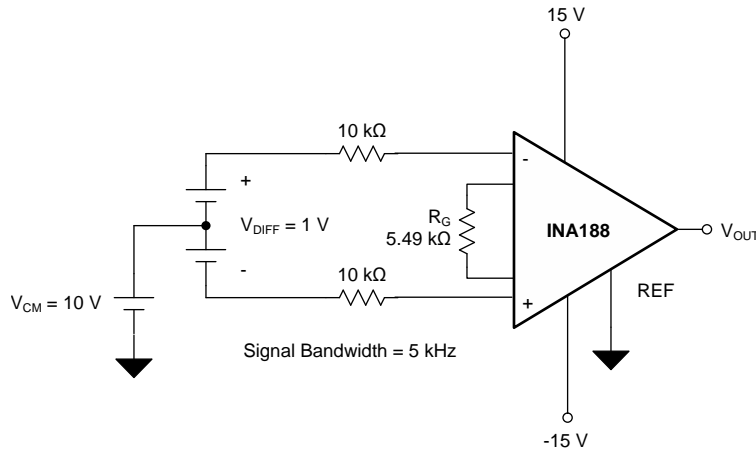
**Figure 53. Options for Low-Impedance Level Shifting**



## Device Functional Modes (continued)

### 7.4.5 Error Sources Example

Most modern signal-conditioning systems calibrate errors at room temperature. However, calibration of errors that result from a change in temperature is normally difficult and costly. Therefore, minimizing these errors is important and can be done by choosing high-precision components (such as the INA188 that has improved specifications in critical areas that impact the precision of the overall system). Figure 54 shows an example application.



**Figure 54. Example Application with  $G = 10$  V/V and a 1-V Differential Voltage**

Resistor-adjustable INAs such as the INA188 show the lowest gain error in  $G = 1$  because of the inherently well-matched drift of the internal resistors of the differential amplifier. At gains greater than 1 (for instance,  $G = 10$  V/V or  $G = 100$  V/V) the gain error becomes a significant error source because of the contribution of the resistor drift of the 25-kΩ feedback resistors in conjunction with the external gain resistor. Except for very high-gain applications, gain drift is by far the largest error contributor compared to other drift errors, such as offset drift. The INA188 offers the lowest gain error over temperature in the marketplace for both  $G > 1$  and  $G = 1$  (no external gain resistor). Table 3 summarizes the major error sources in common INA applications and compares the two cases of  $G = 1$  (no external resistor) and  $G = 10$  (5.49-kΩ external resistor). As explained in Table 3, although the static errors (absolute accuracy errors) in  $G = 1$  are almost twice as great as compared to  $G = 10$ , there are much fewer drift errors because of the much lower gain error drift. In most applications, these static errors can readily be removed during calibration in production. All calculations refer the error to the input for easy comparison and system evaluation.

**Device Functional Modes (continued)**
**Table 3. Error Calculation**

ERROR SOURCE	ERROR CALCULATION	SPECIFICATION	G = 10 ERROR (ppm)	G = 1 ERROR (ppm)
<b>ABSOLUTE ACCURACY AT 25°C</b>				
Input offset voltage	$V_{OSI} / V_{DIFF}$	65 $\mu$ V	65	65
Output offset voltage	$V_{OSO} / (G \times V_{DIFF})$	180 $\mu$ V	18	180
Input offset current	$I_{OS} \times \text{maximum}(R_{S+}, R_{S-}) / V_{DIFF}$	5 nA	50	50
Common-mode rejection ratio	$V_{CM} / (10^{CMRR/20} \times V_{DIFF})$	104 dB (G = 10), 84 dB (G = 1)	20	501
Total absolute accuracy error (ppm)			153	796
<b>DRIFT TO 105°C</b>				
Gain drift	$GTC \times (T_A - 25)$	35 ppm/°C (G = 10), 1 ppm/°C (G = 1)	2800	80
Input offset voltage drift	$(V_{OSI\_TC} / V_{DIFF}) \times (T_A - 25)$	0.15 $\mu$ V/°C	12	12
Output offset voltage drift	$[V_{OSO\_TC} / (G \times V_{DIFF})] \times (T_A - 25)$	0.85 $\mu$ V/°C	6.8	68
Offset current drift	$I_{OS\_TC} \times \text{maximum}(R_{S+}, R_{S-}) \times (T_A - 25) / V_{DIFF}$	60 pA/°C	48	48
Total drift error (ppm)			2867	208
<b>RESOLUTION</b>				
Gain nonlinearity		5 ppm of FS	5	5
Voltage noise (1 kHz)	$\sqrt{BW} \times \sqrt{(e_{NI})^2 + \left[\frac{e_{NO}}{G}\right]^2} \times \frac{6}{V_{DIFF}}$	$e_{NI} = 18,$ $e_{NO} = 110$	9	47
Total resolution error (ppm)			14	52
<b>TOTAL ERROR</b>				
Total error (ppm)	Total error = sum of all error sources		3034	1056

## 8 Application and Implementation

### NOTE

Information in the following applications sections is not part of the TI component specification, and TI does not warrant its accuracy or completeness. TI's customers are responsible for determining suitability of components for their purposes. Customers should validate and test their design implementation to confirm system functionality.

### 8.1 Application Information

The INA188 measures a small differential voltage with a high common-mode voltage developed between the noninverting and inverting input. The low offset drift in conjunction with no 1/f noise makes the INA188 suitable for a wide range of applications. The ability to set the reference pin to adjust the functionality of the output signal offers additional flexibility that is practical for multiple configurations.

### 8.2 Typical Application

Figure 55 shows the basic connections required for operating the INA188. Applications with noisy or high-impedance power supplies may require decoupling capacitors close to the device pins. The output is referred to the output reference (REF) pin that is normally grounded. The reference pin must be a low-impedance connection to assure good common-mode rejection.

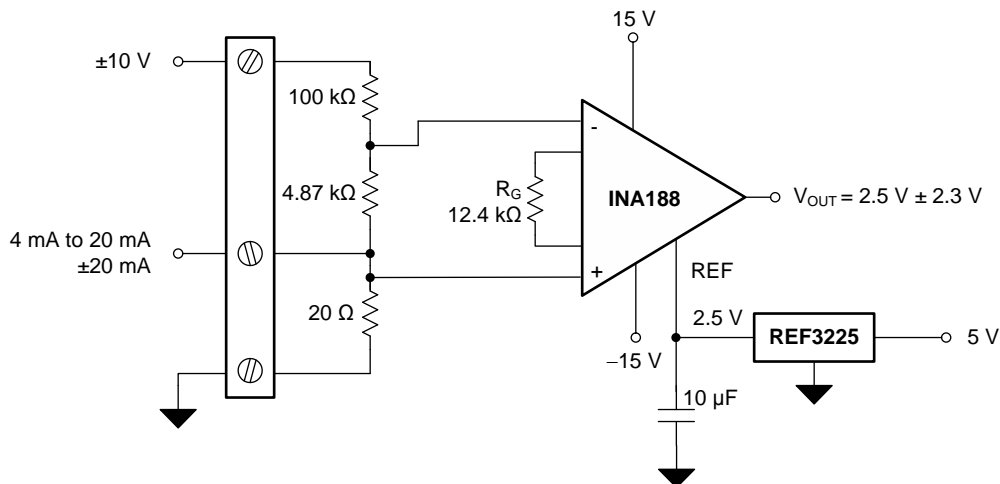


Figure 55. PLC Input ( $\pm 10$  V, 4 mA to 20 mA)

#### 8.2.1 Design Requirements

For this application, the design requirements are:

- 4-mA to 20-mA input with less than 20- $\Omega$  burden
- $\pm 20$ -mA input with less than 20- $\Omega$  burden
- $\pm 10$ -V input with impedance of approximately 100 k $\Omega$
- Maximum 4-mA to 20-mA or  $\pm 20$ mA burden voltage equal to  $\pm 0.4$  V
- Output range within 0 V to 5 V

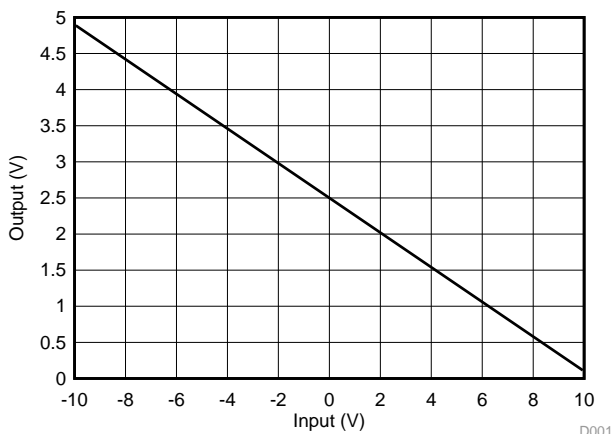
## Typical Application (continued)

### 8.2.2 Detailed Design Procedure

The following steps must be applied for proper device functionality:

- For a 4-mA to 20-mA input, the maximum burden of 0.4 V must have a burden resistor equal to  $0.4 / 0.02 = 20 \Omega$ .
- To center the output within the 0-V to 5-V range,  $V_{REF}$  must equal 2.5 V.
- To keep the  $\pm 20$ -mA input linear within 0 V to 5 V, the gain resistor ( $R_G$ ) must be 12.4 k $\Omega$ .
- To keep the  $\pm 10$ -V input within the 0-V to 5-V range, attenuation must be greater than 0.05.
- A 100-k $\Omega$  resistor in series with a 4.87-k $\Omega$  resistor provides 0.0466 attenuation of  $\pm 10$  V, well within the  $\pm 2.5$ -V linear limits.

### 8.2.3 Application Curve



**Figure 56. Plot of PLC Input Transfer Function** D001

## 9 Power Supply Recommendations

The minimum power-supply voltage for the INA188 is  $\pm 2$  V and the maximum power-supply voltage is  $\pm 18$  V. This minimum and maximum range covers a wide range of power supplies. However, for optimum performance,  $\pm 15$  V is recommended. A 0.1- $\mu$ F bypass capacitor is recommended to be added at the input to compensate for the layout and power-supply source impedance.

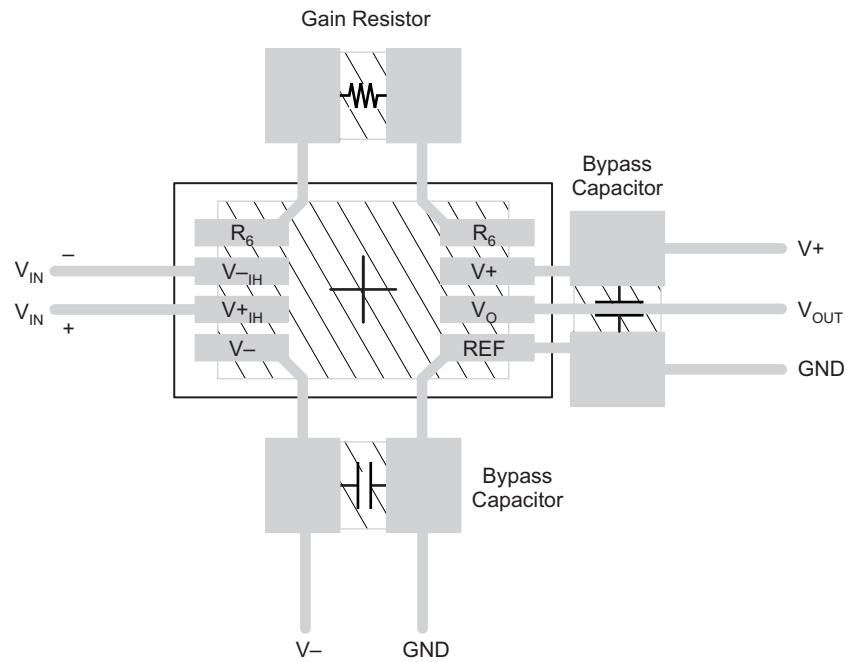
## 10 Layout

### 10.1 Layout Guidelines

Attention to good layout practices is always recommended. For best operational performance of the device, use good printed circuit board (PCB) layout practices, including:

- Care must be taken to ensure that both input paths are well-matched for source impedance and capacitance to avoid converting common-mode signals into differential signals. In addition, parasitic capacitance at the gain-setting pins can also affect CMRR over frequency. For example, in applications that implement gain switching using switches or PhotoMOS<sup>®</sup> relays to change the value of  $R_G$ , select the component so that the switch capacitance is as small as possible.
- Noise can propagate into analog circuitry through the power pins of the circuit as a whole and of the device itself. Bypass capacitors are used to reduce the coupled noise by providing low-impedance power sources local to the analog circuitry.
  - Connect low-ESR, 0.1- $\mu$ F ceramic bypass capacitors between each supply pin and ground, placed as close to the device as possible. A single bypass capacitor from  $V+$  to ground is applicable for single-supply applications.
- Separate grounding for analog and digital portions of the circuitry is one of the simplest and most effective methods of noise suppression. One or more layers on multilayer PCBs are usually devoted to ground planes. A ground plane helps distribute heat and reduces EMI noise pickup. Make sure to physically separate digital and analog grounds, paying attention to the flow of the ground current. For more detailed information, see [SLOA089](#), *Circuit Board Layout Techniques*.
- In order to reduce parasitic coupling, run the input traces as far away from the supply or output traces as possible. If these traces cannot be kept separate, crossing the sensitive trace perpendicular is much better than in parallel with the noisy trace.
- Place the external components as close to the device as possible. As illustrated in [Figure 57](#), keeping  $R_G$  close to the pins minimizes parasitic capacitance.
- Keep the traces as short as possible.

## 10.2 Layout Example



**Figure 57. PCB Layout Example**

## 11 Device and Documentation Support

### 11.1 Device Support

#### 11.1.1 Development Support

**Table 4. Table 1. Design Kits and Evaluation Modules**

NAME	PART NUMBER	TYPE
<a href="#">DIP Adapter Evaluation Module</a>	DIP-ADAPTER-EVM	Evaluation Module and Boards
<a href="#">Universal Instrumentation Amplifier Evaluation Module</a>	INAEVM	Evaluation Module and Boards

**Table 5. Table 2. Development Tools**

NAME	PART NUMBER	TYPE
<a href="#">Calculate Input Common-Mode Range of Instrumentation Amplifiers</a>	INA-CMV-CALC	Calculation Tools
<a href="#">SPICE-Based Analog Simulation Program</a>	TINA-TI	Circuit Design and Simulation

### 11.2 Documentation Support

#### 11.2.1 Related Documentation

OPA188 Data Sheet, [SBOS642](#)

OPA330 Data Sheet, [SBOS432](#)

REF3225 Data Sheet, [SBVS058](#)

*Circuit Board Layout Techniques*, [SLOA089](#)

### 11.3 Community Resources

The following links connect to TI community resources. Linked contents are provided "AS IS" by the respective contributors. They do not constitute TI specifications and do not necessarily reflect TI's views; see TI's [Terms of Use](#).

**TI E2E™ Online Community** *TI's Engineer-to-Engineer (E2E) Community*. Created to foster collaboration among engineers. At [e2e.ti.com](http://e2e.ti.com), you can ask questions, share knowledge, explore ideas and help solve problems with fellow engineers.

**Design Support** *TI's Design Support* Quickly find helpful E2E forums along with design support tools and contact information for technical support.

### 11.4 Trademarks

E2E is a trademark of Texas Instruments.

Bluetooth is a registered trademark of Bluetooth SIG, Inc.

PhotoMOS is a registered trademark of Panasonic Electric Works Europe AG.

All other trademarks are the property of their respective owners.

### 11.5 Electrostatic Discharge Caution



These devices have limited built-in ESD protection. The leads should be shorted together or the device placed in conductive foam during storage or handling to prevent electrostatic damage to the MOS gates.

### 11.6 Glossary

[SLYZ022](#) — *TI Glossary*.

This glossary lists and explains terms, acronyms, and definitions.

## 12 Mechanical, Packaging, and Orderable Information

The following pages include mechanical, packaging, and orderable information. This information is the most current data available for the designated devices. This data is subject to change without notice and revision of this document. For browser-based versions of this data sheet, refer to the left-hand navigation.



**PACKAGING INFORMATION**

Orderable Device	Status (1)	Package Type	Package Drawing	Pins	Package Qty	Eco Plan (2)	Lead/Ball Finish (6)	MSL Peak Temp (3)	Op Temp (°C)	Device Marking (4/5)	Samples
INA188ID	ACTIVE	SOIC	D	8	75	Green (RoHS & no Sb/Br)	CU NIPDAU	Level-2-260C-1 YEAR	-40 to 125	INA188	<a href="#">Samples</a>
INA188IDR	ACTIVE	SOIC	D	8	2500	Green (RoHS & no Sb/Br)	CU NIPDAU	Level-2-260C-1 YEAR	-40 to 125	INA188	<a href="#">Samples</a>
INA188IDRJR	ACTIVE	SON	DRJ	8	1000	Green (RoHS & no Sb/Br)	CU NIPDAU	Level-2-260C-1 YEAR	-40 to 125	INA188	<a href="#">Samples</a>

(1) The marketing status values are defined as follows:

**ACTIVE:** Product device recommended for new designs.

**LIFEBUY:** TI has announced that the device will be discontinued, and a lifetime-buy period is in effect.

**NRND:** Not recommended for new designs. Device is in production to support existing customers, but TI does not recommend using this part in a new design.

**PREVIEW:** Device has been announced but is not in production. Samples may or may not be available.

**OBSOLETE:** TI has discontinued the production of the device.

(2) **RoHS:** TI defines "RoHS" to mean semiconductor products that are compliant with the current EU RoHS requirements for all 10 RoHS substances, including the requirement that RoHS substance do not exceed 0.1% by weight in homogeneous materials. Where designed to be soldered at high temperatures, "RoHS" products are suitable for use in specified lead-free processes. TI may reference these types of products as "Pb-Free".

**RoHS Exempt:** TI defines "RoHS Exempt" to mean products that contain lead but are compliant with EU RoHS pursuant to a specific EU RoHS exemption.

**Green:** TI defines "Green" to mean the content of Chlorine (Cl) and Bromine (Br) based flame retardants meet JS709B low halogen requirements of <=1000ppm threshold. Antimony trioxide based flame retardants must also meet the <=1000ppm threshold requirement.

(3) MSL, Peak Temp. - The Moisture Sensitivity Level rating according to the JEDEC industry standard classifications, and peak solder temperature.

(4) There may be additional marking, which relates to the logo, the lot trace code information, or the environmental category on the device.

(5) Multiple Device Markings will be inside parentheses. Only one Device Marking contained in parentheses and separated by a "-" will appear on a device. If a line is indented then it is a continuation of the previous line and the two combined represent the entire Device Marking for that device.

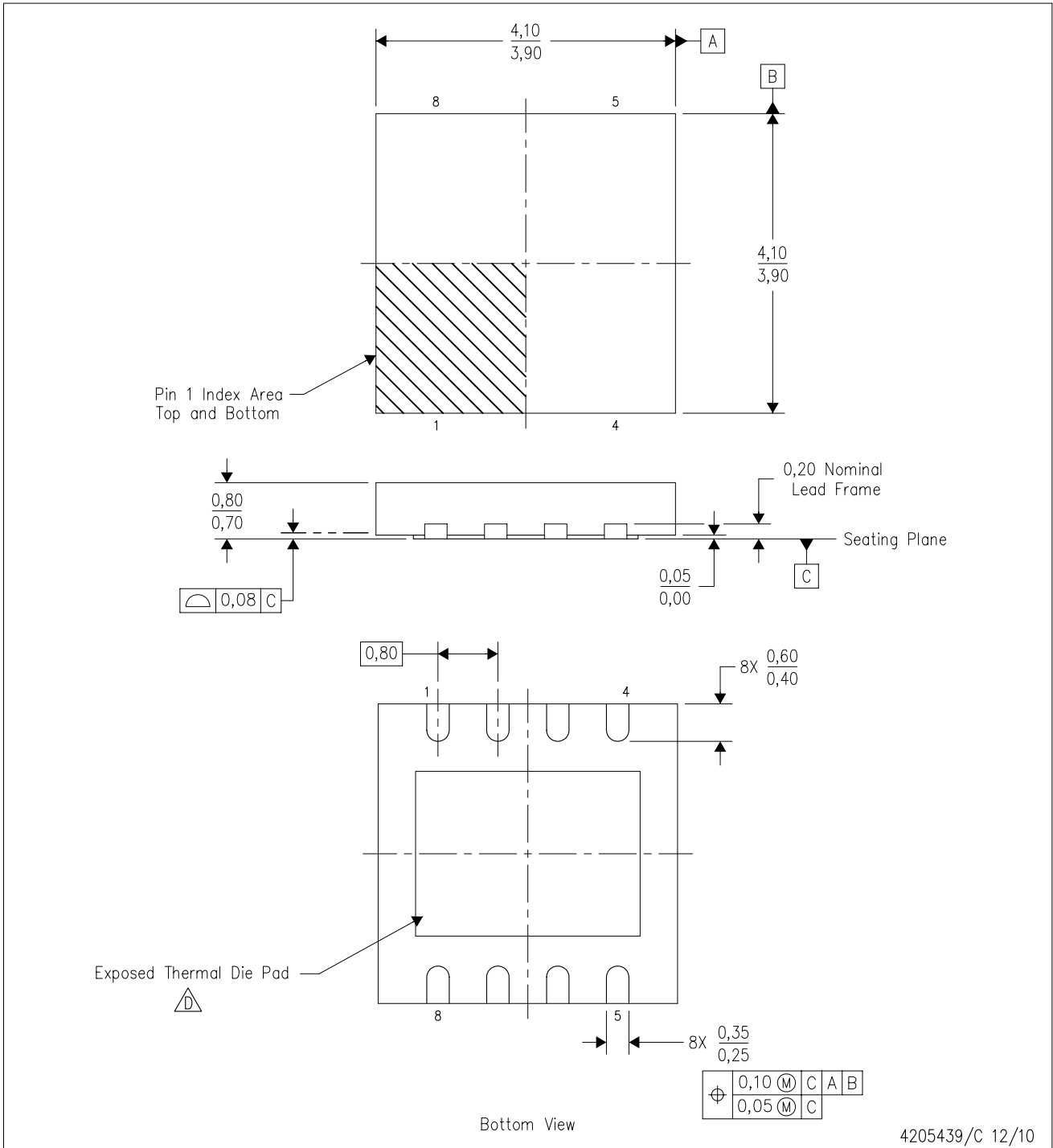
(6) Lead/Ball Finish - Orderable Devices may have multiple material finish options. Finish options are separated by a vertical ruled line. Lead/Ball Finish values may wrap to two lines if the finish value exceeds the maximum column width.

**Important Information and Disclaimer:**The information provided on this page represents TI's knowledge and belief as of the date that it is provided. TI bases its knowledge and belief on information provided by third parties, and makes no representation or warranty as to the accuracy of such information. Efforts are underway to better integrate information from third parties. TI has taken and continues to take reasonable steps to provide representative and accurate information but may not have conducted destructive testing or chemical analysis on incoming materials and chemicals. TI and TI suppliers consider certain information to be proprietary, and thus CAS numbers and other limited information may not be available for release.


In no event shall TI's liability arising out of such information exceed the total purchase price of the TI part(s) at issue in this document sold by TI to Customer on an annual basis.

DRJ (S-PWSON-N8)

PLASTIC SMALL OUTLINE NO-LEAD



4205439/C 12/10

- NOTES:
- A. All linear dimensions are in millimeters. Dimensioning and tolerancing per ASME Y14.5M-1994.
  - B. This drawing is subject to change without notice.
  - C. SON (Small Outline No-Lead) package configuration.
  -  The package thermal pad must be soldered to the board for thermal and mechanical performance. See the Product Data Sheet for details regarding the exposed thermal pad dimensions.
  - E. Package complies to JEDEC MO-229 variation WGGB.

## THERMAL PAD MECHANICAL DATA

DRJ (S-PWSON-N8)

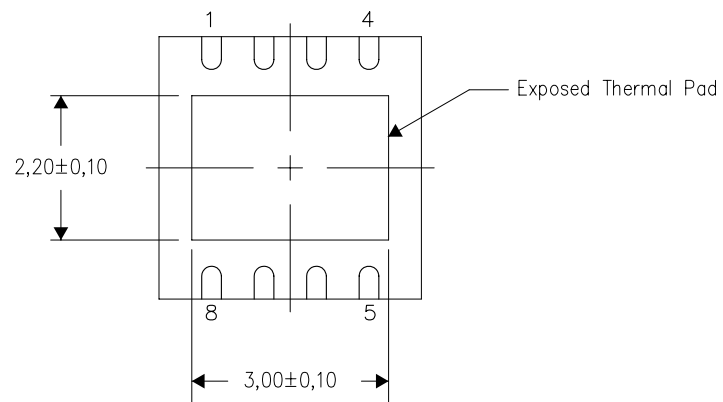
PLASTIC SMALL OUTLINE NO-LEAD

### THERMAL INFORMATION

This package incorporates an exposed thermal pad that is designed to be attached directly to an external heatsink. The thermal pad must be soldered directly to the printed circuit board (PCB). After soldering, the PCB can be used as a heatsink. In addition, through the use of thermal vias, the thermal pad can be attached directly to the appropriate copper plane shown in the electrical schematic for the device, or alternatively, can be attached to a special heatsink structure designed into the PCB. This design optimizes the heat transfer from the integrated circuit (IC).

For information on the Quad Flatpack No-Lead (QFN) package and its advantages, refer to Application Report, QFN/SON PCB Attachment, Texas Instruments Literature No. SLUA271. This document is available at [www.ti.com](http://www.ti.com).

The exposed thermal pad dimensions for this package are shown in the following illustration.



Bottom View

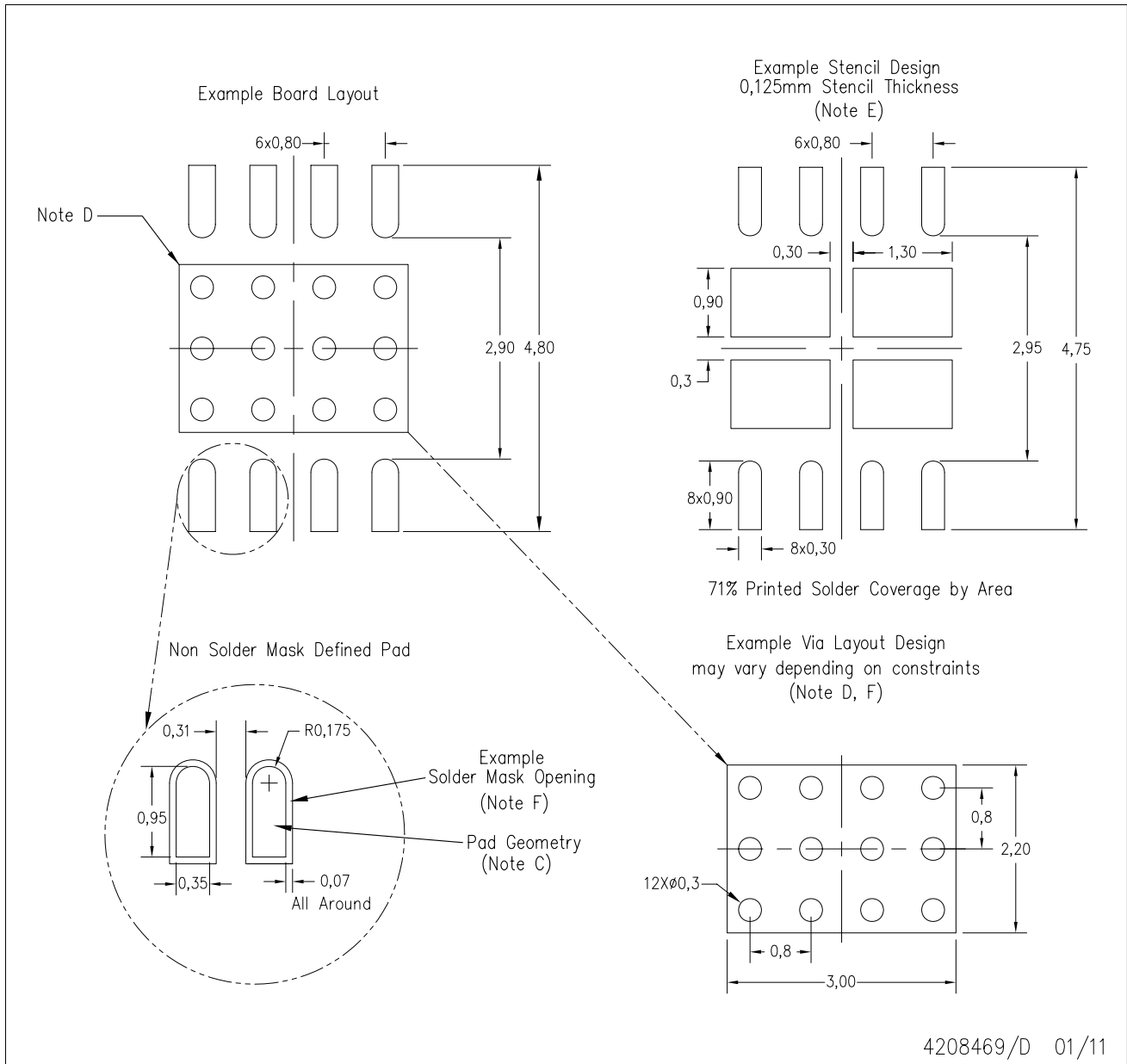
Exposed Thermal Pad Dimensions

4206882/F 01/11

NOTE: All linear dimensions are in millimeters

DRJ (S-PWSON-N8)

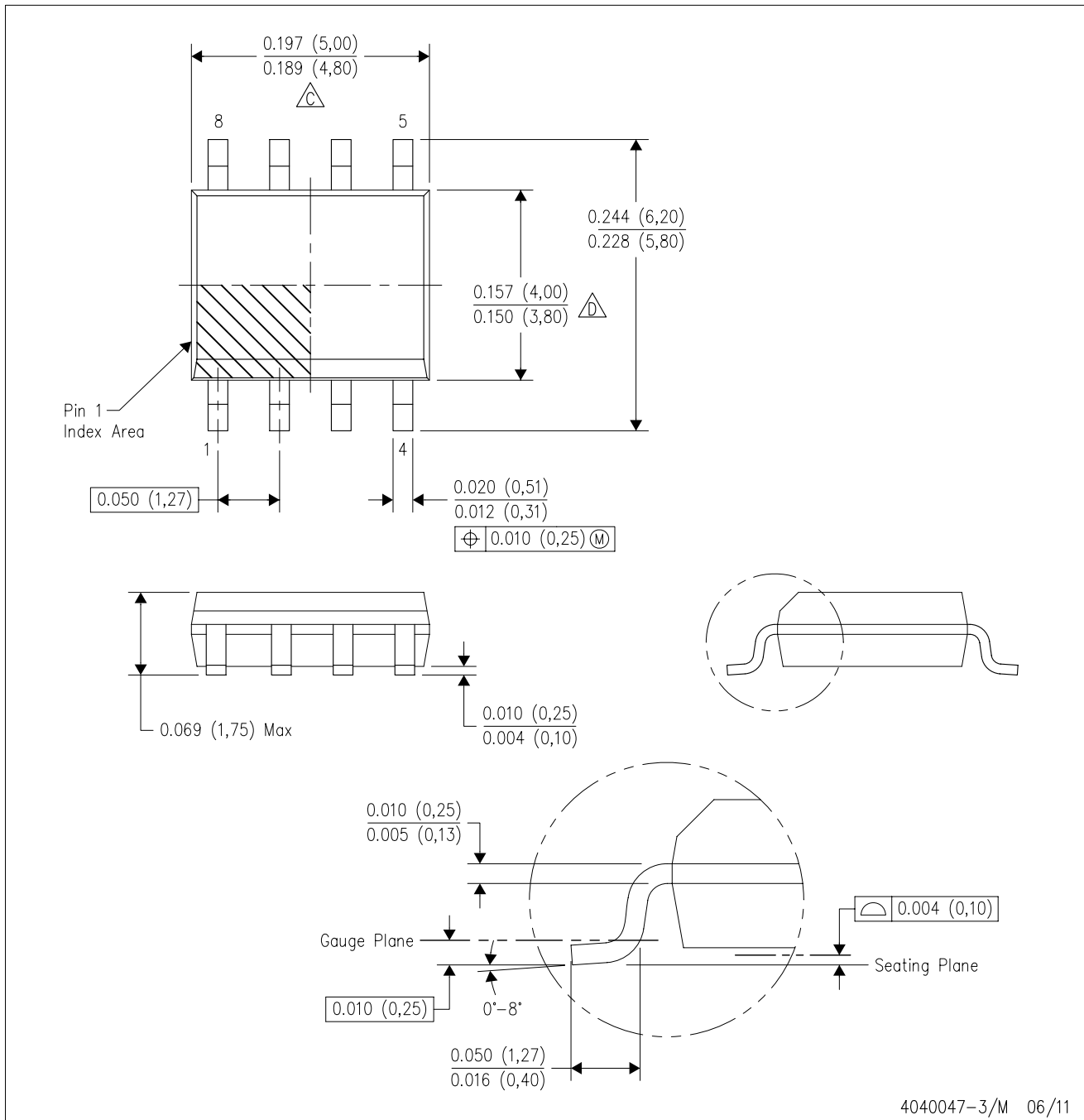
SMALL PACKAGE OUTLINE NO-LEAD



- NOTES:
- A. All linear dimensions are in millimeters.
  - B. This drawing is subject to change without notice.
  - C. Publication IPC-7351 is recommended for alternate designs.
  - D. This package is designed to be soldered to a thermal pad on the board. Refer to Application Note, Quad Flat-Pack Packages, Texas Instruments Literature No. SLUA271, and also the Product Data Sheets for specific thermal information, via requirements, and recommended board layout. These documents are available at [www.ti.com](http://www.ti.com) <<http://www.ti.com>>.
  - E. Laser cutting apertures with electropolish and also rounding corners will offer better paste release. Customers should contact their board assembly site for stencil design recommendations. Refer to IPC 7525 for stencil design considerations.
  - F. Customers should contact their board fabrication site for solder mask tolerances and vias tenting recommendations for vias placed in the thermal pad.

D (R-PDSO-G8)

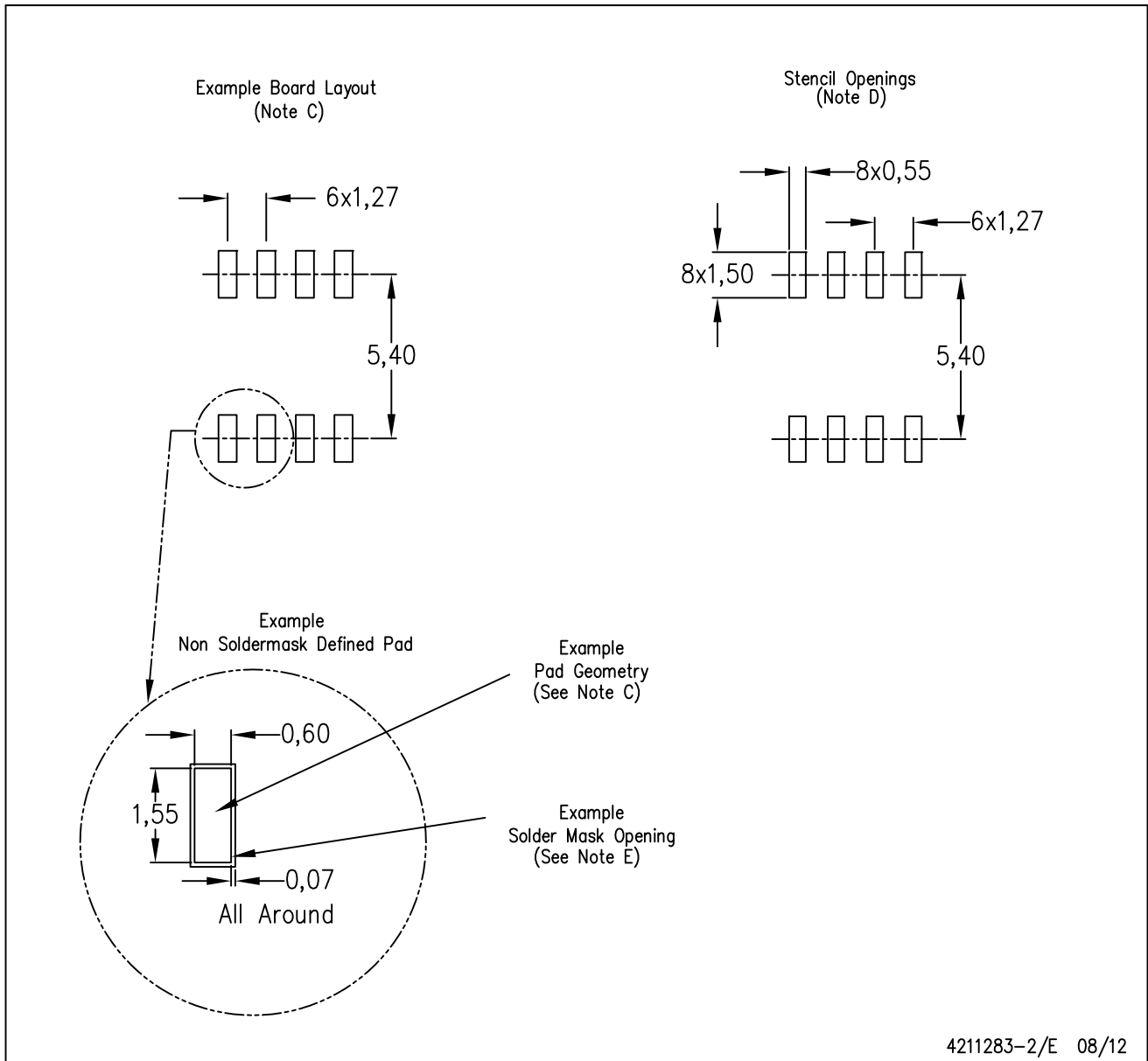
PLASTIC SMALL OUTLINE



NOTES: A. All linear dimensions are in inches (millimeters).  
 B. This drawing is subject to change without notice.  
 C. Body length does not include mold flash, protrusions, or gate burrs. Mold flash, protrusions, or gate burrs shall not exceed 0.006 (0,15) each side.  
 D. Body width does not include interlead flash. Interlead flash shall not exceed 0.017 (0,43) each side.  
 E. Reference JEDEC MS-012 variation AA.

D (R-PDSO-G8)

PLASTIC SMALL OUTLINE



- NOTES:
- All linear dimensions are in millimeters.
  - This drawing is subject to change without notice.
  - Publication IPC-7351 is recommended for alternate designs.
  - Laser cutting apertures with trapezoidal walls and also rounding corners will offer better paste release. Customers should contact their board assembly site for stencil design recommendations. Refer to IPC-7525 for other stencil recommendations.
  - Customers should contact their board fabrication site for solder mask tolerances between and around signal pads.

## IMPORTANT NOTICE

Texas Instruments Incorporated (TI) reserves the right to make corrections, enhancements, improvements and other changes to its semiconductor products and services per JESD46, latest issue, and to discontinue any product or service per JESD48, latest issue. Buyers should obtain the latest relevant information before placing orders and should verify that such information is current and complete.

TI's published terms of sale for semiconductor products (<http://www.ti.com/sc/docs/stdterms.htm>) apply to the sale of packaged integrated circuit products that TI has qualified and released to market. Additional terms may apply to the use or sale of other types of TI products and services.

Reproduction of significant portions of TI information in TI data sheets is permissible only if reproduction is without alteration and is accompanied by all associated warranties, conditions, limitations, and notices. TI is not responsible or liable for such reproduced documentation. Information of third parties may be subject to additional restrictions. Resale of TI products or services with statements different from or beyond the parameters stated by TI for that product or service voids all express and any implied warranties for the associated TI product or service and is an unfair and deceptive business practice. TI is not responsible or liable for any such statements.

Buyers and others who are developing systems that incorporate TI products (collectively, "Designers") understand and agree that Designers remain responsible for using their independent analysis, evaluation and judgment in designing their applications and that Designers have full and exclusive responsibility to assure the safety of Designers' applications and compliance of their applications (and of all TI products used in or for Designers' applications) with all applicable regulations, laws and other applicable requirements. Designer represents that, with respect to their applications, Designer has all the necessary expertise to create and implement safeguards that (1) anticipate dangerous consequences of failures, (2) monitor failures and their consequences, and (3) lessen the likelihood of failures that might cause harm and take appropriate actions. Designer agrees that prior to using or distributing any applications that include TI products, Designer will thoroughly test such applications and the functionality of such TI products as used in such applications.

TI's provision of technical, application or other design advice, quality characterization, reliability data or other services or information, including, but not limited to, reference designs and materials relating to evaluation modules, (collectively, "TI Resources") are intended to assist designers who are developing applications that incorporate TI products; by downloading, accessing or using TI Resources in any way, Designer (individually or, if Designer is acting on behalf of a company, Designer's company) agrees to use any particular TI Resource solely for this purpose and subject to the terms of this Notice.

TI's provision of TI Resources does not expand or otherwise alter TI's applicable published warranties or warranty disclaimers for TI products, and no additional obligations or liabilities arise from TI providing such TI Resources. TI reserves the right to make corrections, enhancements, improvements and other changes to its TI Resources. TI has not conducted any testing other than that specifically described in the published documentation for a particular TI Resource.

Designer is authorized to use, copy and modify any individual TI Resource only in connection with the development of applications that include the TI product(s) identified in such TI Resource. NO OTHER LICENSE, EXPRESS OR IMPLIED, BY ESTOPPEL OR OTHERWISE TO ANY OTHER TI INTELLECTUAL PROPERTY RIGHT, AND NO LICENSE TO ANY TECHNOLOGY OR INTELLECTUAL PROPERTY RIGHT OF TI OR ANY THIRD PARTY IS GRANTED HEREIN, including but not limited to any patent right, copyright, mask work right, or other intellectual property right relating to any combination, machine, or process in which TI products or services are used. Information regarding or referencing third-party products or services does not constitute a license to use such products or services, or a warranty or endorsement thereof. Use of TI Resources may require a license from a third party under the patents or other intellectual property of the third party, or a license from TI under the patents or other intellectual property of TI.

TI RESOURCES ARE PROVIDED "AS IS" AND WITH ALL FAULTS. TI DISCLAIMS ALL OTHER WARRANTIES OR REPRESENTATIONS, EXPRESS OR IMPLIED, REGARDING RESOURCES OR USE THEREOF, INCLUDING BUT NOT LIMITED TO ACCURACY OR COMPLETENESS, TITLE, ANY EPIDEMIC FAILURE WARRANTY AND ANY IMPLIED WARRANTIES OF MERCHANTABILITY, FITNESS FOR A PARTICULAR PURPOSE, AND NON-INFRINGEMENT OF ANY THIRD PARTY INTELLECTUAL PROPERTY RIGHTS. TI SHALL NOT BE LIABLE FOR AND SHALL NOT DEFEND OR INDEMNIFY DESIGNER AGAINST ANY CLAIM, INCLUDING BUT NOT LIMITED TO ANY INFRINGEMENT CLAIM THAT RELATES TO OR IS BASED ON ANY COMBINATION OF PRODUCTS EVEN IF DESCRIBED IN TI RESOURCES OR OTHERWISE. IN NO EVENT SHALL TI BE LIABLE FOR ANY ACTUAL, DIRECT, SPECIAL, COLLATERAL, INDIRECT, PUNITIVE, INCIDENTAL, CONSEQUENTIAL OR EXEMPLARY DAMAGES IN CONNECTION WITH OR ARISING OUT OF TI RESOURCES OR USE THEREOF, AND REGARDLESS OF WHETHER TI HAS BEEN ADVISED OF THE POSSIBILITY OF SUCH DAMAGES.

Unless TI has explicitly designated an individual product as meeting the requirements of a particular industry standard (e.g., ISO/TS 16949 and ISO 26262), TI is not responsible for any failure to meet such industry standard requirements.

Where TI specifically promotes products as facilitating functional safety or as compliant with industry functional safety standards, such products are intended to help enable customers to design and create their own applications that meet applicable functional safety standards and requirements. Using products in an application does not by itself establish any safety features in the application. Designers must ensure compliance with safety-related requirements and standards applicable to their applications. Designer may not use any TI products in life-critical medical equipment unless authorized officers of the parties have executed a special contract specifically governing such use. Life-critical medical equipment is medical equipment where failure of such equipment would cause serious bodily injury or death (e.g., life support, pacemakers, defibrillators, heart pumps, neurostimulators, and implantables). Such equipment includes, without limitation, all medical devices identified by the U.S. Food and Drug Administration as Class III devices and equivalent classifications outside the U.S.

TI may expressly designate certain products as completing a particular qualification (e.g., Q100, Military Grade, or Enhanced Product). Designers agree that it has the necessary expertise to select the product with the appropriate qualification designation for their applications and that proper product selection is at Designers' own risk. Designers are solely responsible for compliance with all legal and regulatory requirements in connection with such selection.

Designer will fully indemnify TI and its representatives against any damages, costs, losses, and/or liabilities arising out of Designer's non-compliance with the terms and provisions of this Notice.