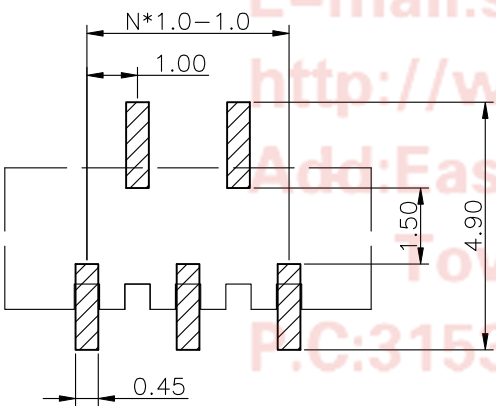
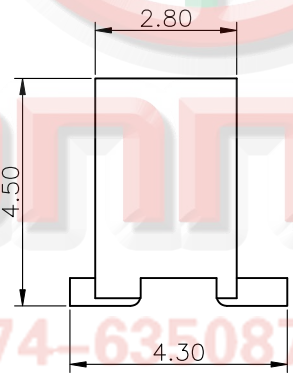
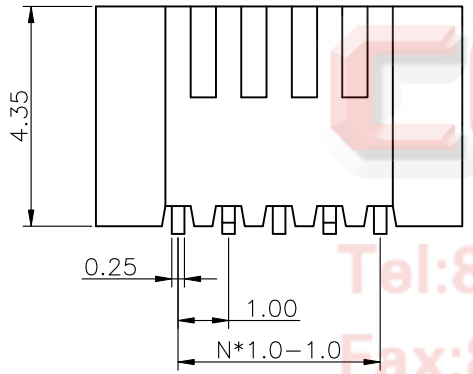
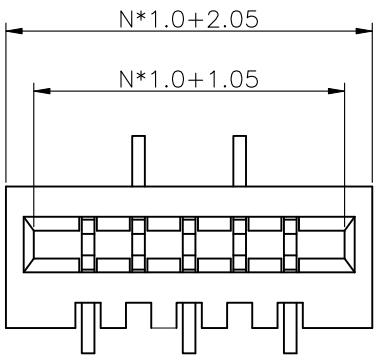


REV.	DESCRIPTION	DRAWN	CHECKED	APPROVED
A	NEW RELEASE	YCH 04/18/12'	~	LJC 04/18/12'
B	DRAWING UPDATE	JLZ 09/13/17'	~	



N=No. OF CONTACTS

RECOMMEND PCB LAYOUT
(TOLERANCE=±0.05)

NOTES:

- MATERIAL
 - INSULATOR:THERMOPLASTIC(UL 94V-0).
 - CONTACT: COPPER ALLOY.
- SPECIFICATION
 - TEMPERATURE:-20~+85°C.
 - CONTACT RESISTANCE:20mΩ max.
 - INSULATION RESISTANCE:100MΩ min.
 - DIELECTRIC WITHSTANDING VOLTAGE:AC 100V PER MINUTE.
- PART NUMBER: DS1020-05
- PRODUCT NUMBER CODE:
DS1020-05- X X X

- CONTACT PLATING
T1: TIN
8: FULL GOLD FLASH
- HOUSING COLOR
B:BLACK
- No. OF CONTACTS
04~36

Tel:86-574-63508787
 Fax:86-574-63510817
 E-mail:sale@connfly.com
 http://www.connfly.com
 Add:East Industry Zone KuangYan
 Town Cixi Ningbo China
 P.C:315333

GENERAL TOLERANCE		ANGLE TOLERANCE	
X.	±0.60	X.	±5°
.X	±0.38	.X	±3°
.XX	±0.25	.XX	±2°

PROJECTION	TITLE
UNITS	1.00mm FPC CONNECTOR V/T SMT TYPE
SHEET SIZE	SERIES DS1020-05 SERIES

DRAWING TYPE	CUSTOMER		
SCALE	1:1	SHEET	1 OF 1
DRAWING NO.	C-DS1020-05-XXX-B		



晨翔电子有限公司

CONNFLY CONNFLY ELECTRONIC CO. LTD