

Stereo Jack Series

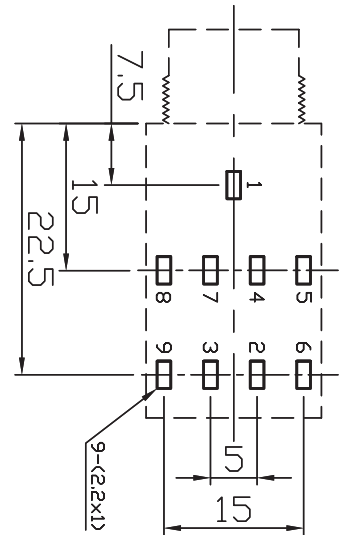
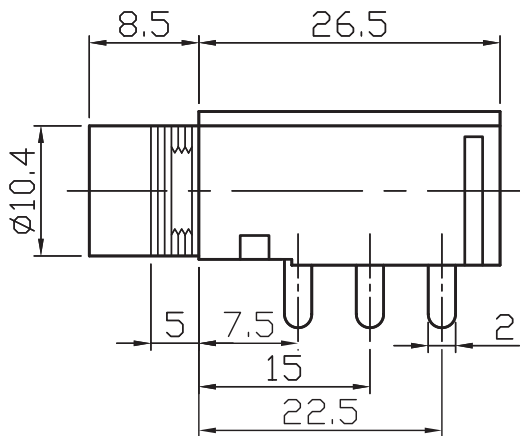
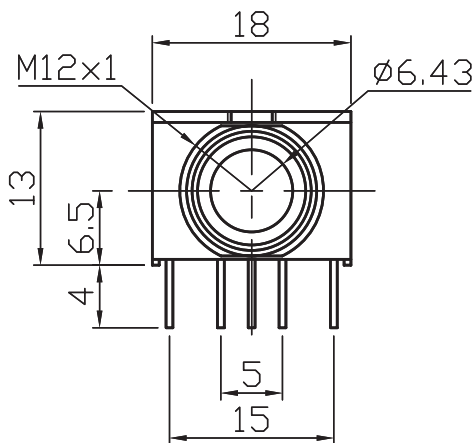
KLS1-TG6.3-011C (Stereo Jack Series)

Technical parameters:

Technical parameters:
 Contact resistance: 0.03Ω, max
 Insulation resistance: 100MΩ, min
 Rated Load: DC 50V 1A
 Withstand voltage: 500V AC / 1 minute/50Hz
 Insertion Force :5-40 N
 Life: 5000 times
 Operating Temperature:-30°C ~ 70°C

Material:

Housing: PC
 Contacts: copper



| | | | | | | | | | |
|------------|-------------|-------------|-------------|-------------|-------------|-------------|-------------|-------------|-------------|
| | | | | | | | | | |
| TG6.3-011C | TG6.3-011CA | TG6.3-011CB | TG6.3-011CC | TG6.3-011CD | TG6.3-011CE | TG6.3-011CF | TG6.3-011CG | TG6.3-011CH | TG6.3-011CI |

ORDER INFORMATION

Product NO.: KLS1-TG6.3-011CA

