

## FD 1238 series

120x120x38 mm

### Features

- Thermoplastic UL 94V-0 frame
- Thermoplastic UL 94V-0 impeller
- Ball bearing
- Lead wires
- Polarity protection\*
- Optional functions: FG, RD, PWM
- Operating temp.: -10~+70 °C
- Storage temp.: -40~+70 °C
- 280 g



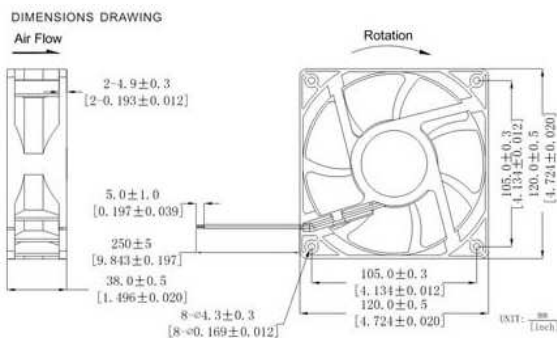
Model	Voltage VDC	Current A	Input Power (W)	Speed RPM	Airflow CFM	Static pressure mmAg	Sound level dBA
FD 1238 12 B 26	12	0.35	4.20	2600	103.03	6.11	41.7
FD 1238 12 B 30		0.45	5.40	3000	120.00	8.10	46.3
FD 1238 12 B 32		0.66	7.92	3200	126.93	9.25	47.8
FD 1238 12 B 36		0.98	11.76	3600	142.80	11.71	50.2
FD 1238 12 B 42		1.22	14.64	4200	162.50	16.47	55.1
FD 1238 12 B 48		1.60	19.20	4800	190.40	20.82	59.2
FD 1238 12 B 56		2.60	31.20	5600	222.13	28.34	64.8
FD 1238 24 B 26	24	0.25	6.00	2600	103.03	6.11	41.7
FD 1238 24 B 32		0.33	7.92	3200	126.93	9.25	47.8
FD 1238 24 B 36		0.49	11.76	3600	142.80	11.71	50.2
FD 1238 24 B 42		0.61	14.64	4200	162.50	16.47	55.1
FD 1238 24 B 48		0.80	19.20	4800	190.40	20.82	59.2
FD 1238 24 B 56		1.30	31.20	5600	222.13	28.34	64.8
FD 1238 48 B 26		48	0.12	5.76	2600	103.03	6.11
FD 1238 48 B 32	0.16		7.68	3200	126.93	9.25	47.8
FD 1238 48 B 36	0.25		12.00	3600	142.80	11.71	50.2
FD 1238 48 B 42	0.30		14.40	4200	162.50	16.47	55.1
FD 1238 48 B 48	0.40		19.20	4800	190.40	20.82	59.2
FD 1238 48 B 56	0.65		31.20	5600	222.13	28.34	64.8

\*: Circuit won't be burned within 5seconds when Vcc & GND are exchanged

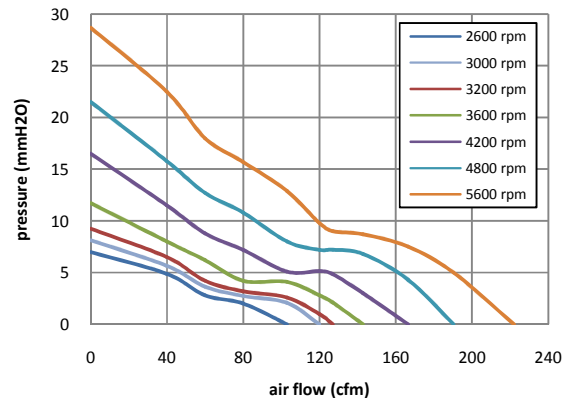
\*\* : above specifications are subject to change without prior notice

\*\*\*: for non-standard product, contact our sale's team at [info@ventus-sa.com](mailto:info@ventus-sa.com)

### Dimensions



### Performance



### Ordering Code:

Fan type	Dimensions	Voltage	Bearing type		Speed	optional			Electrical connections		Other specs*	
			Ball	sleeve		FG	RD	PWM	Terminals	Lead wires		
DC fans												
FD	1238	12/24/48	B	-	26/30/32/36/48/56	T	D	P	-	-	L	/O

\*: if the ordered item is not standard fans offered on our website, always put "/O" at the end of the ordering code and specify the project number which is unique for any non-standard products. Sales team will provide this project number together with specs sheet confirmed by both parties.

Example: FD 1238 24 B 36-L