

Ceramic Resonator Series

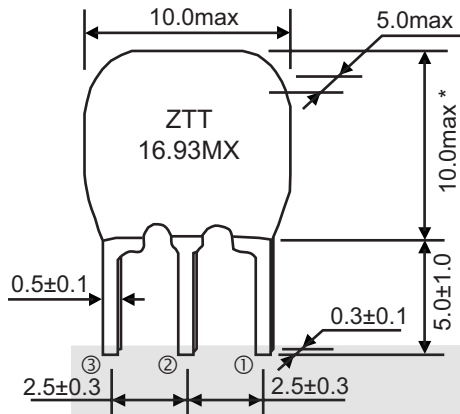
KLS14-ZTT Ceramic Resonator Series

Ceramic ZTT Resonators feature a built-in load capacitance. This feature eliminates any need for external loading capacitors and reduces component count, increases reliability and reduces size. These unit are offered in the frequency range from 1.79 MHz to 60.00 MHz with an initial frequency tolerance of $\pm 0.5\%$.

ZTB series utilizes the area vibration mode of the piezoelectric element.

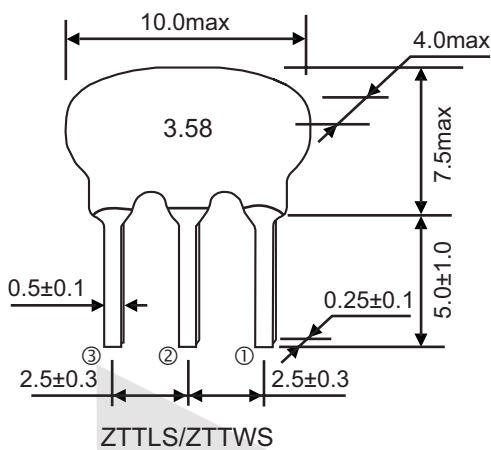


Ceramic ZTT Resonator Dimensions (Unit:mm)

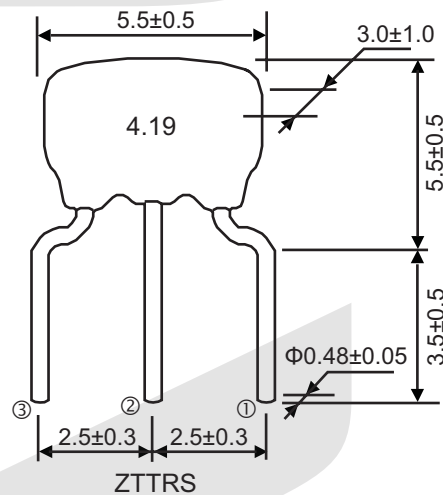


* MG: 8.0max
MT: 10.0max
MX: 13.01~60.00MHz, 10.0max
12.00~13.00MHz, 12.0max

- ① Input
- ② Ground
- ③ Output



ZTTLS/ZTTWS



ZTTRS

ORDER INFORMATION

KLS14- ZTT16. 93MX

Pos. No. _____
Part Number _____

Ceramic Resonator Series

KLS14-ZTT Ceramic Resonator Series

XIV

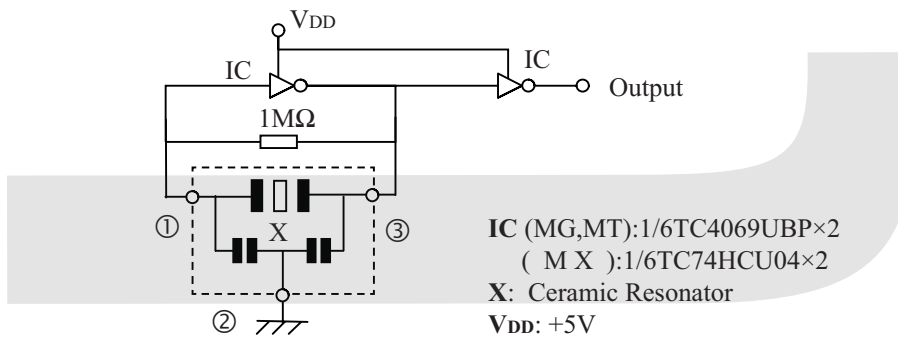
ZTT With Built-in Capacitor (Compatible to Murata CST)

1.79 - 60.00MHz

Ceramic ZTT (MHz) Resonators Technical Characteristics

Part Number	Frequency Range (MHz)	Frequency Accuracy (at 25°C) (%)	Stability in Temperature (-20°C ~ +80°C) (%)	Operating Temperature (°C)	Aging For Ten Years (%)
ZTT***MG	1.79 ~ 6.00	±0.5	±0.3	-20 ~ +80	±0.3
ZTWS***MG	1.79 ~ 6.00	±0.5	±0.3	-20 ~ +80	±0.3
ZTTL***MG	3.00 ~ 8.00	±0.5	±0.3	-20 ~ +80	±0.3
ZTTRS***MG	3.00 ~ 10.00	±0.5	±0.3	-20 ~ +80	±0.3
ZTT***MT	6.00 ~ 13.00	±0.5	±0.3	-20 ~ +80	±0.3
ZTT***MX	12.00 ~ 60.00	±0.5	±0.3	-20 ~ +80	±0.3

Ceramic ZTT Resonator Test Circuit for MOS IC



ORDER INFORMATION

KLS14- ZTT16. 93MX

Pos. No. _____
Part Number _____