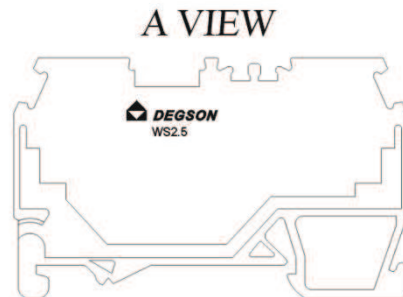
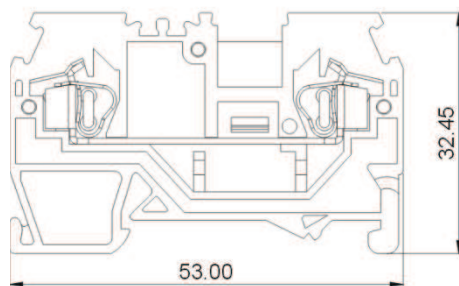
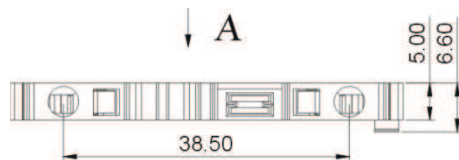
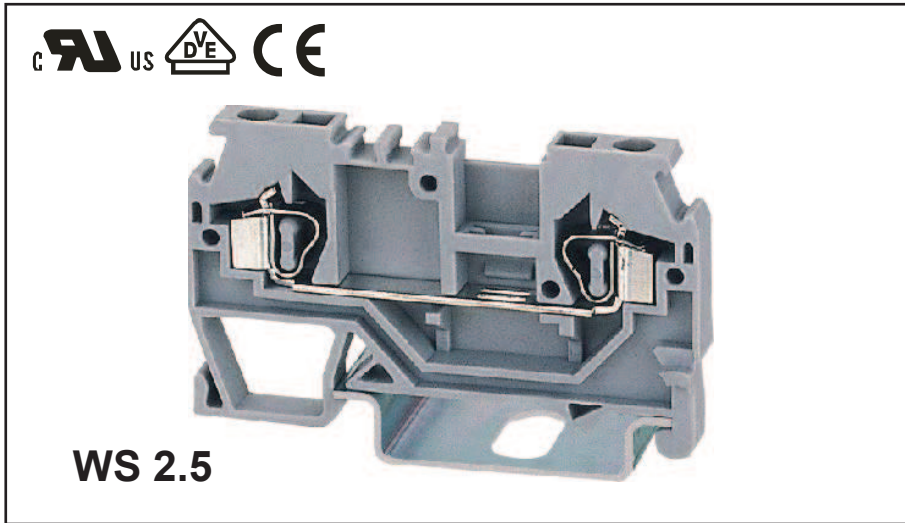




# DEGSON ELECTRONICS CO., LTD.

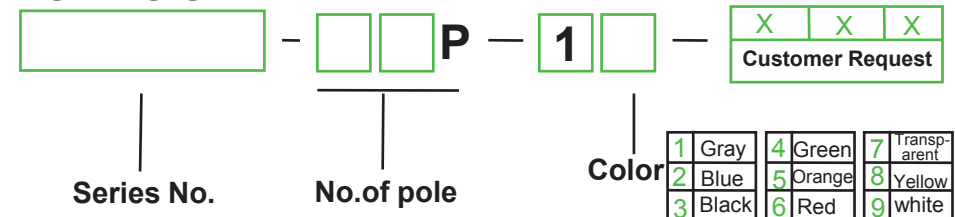
## Product Specification



Approval		
<b>Electrical</b>	<b>UL</b>	<b>IEC</b>
Standard	600V	800V
Rated voltage	15A	24A
Rated current	Wire size	0.2-2.5mm <sup>2</sup>
Wire size	28-14AWG	
T/W/End plate		5/53/2.5mm
Height(NS35:7.5/NS35:15)		35.5/43mm
Rated surge voltage/contamination class		8KV/3
Stripping length		10mm
Insulating material/Inflammability class		PANV-0

Specification	Model	Pieces
(1) Terminal block	WS-2.5	100
(2) Cover	D-WS-2.5	100
(3) Adjacent jumper	WFA-2.5	400
(4) Alternate jumper	WFB-2.5	100
(5) Staggered jumper	1-2WFC-2.5/2 1-5WFC-2.5/5 1-3WFC-2.5/3 1-6WFC-2.5/6 1-4WFC-2.5/4 1-8WFC-2.5/8	250 200 200 150 250 100
(6) Insulation stop	TTA-2.5	200
(8) Test plug adapter	EEA-2.5	100
(9) Test plug	SSA	100
(9) Zack strip	SSB	50
	DEK5	100

### HOW TO ORDER :



	<b>DEGSON ELECTRONICS CO., LTD.</b>
	<b>NAME</b> <b>WS 2.5</b>