

SANCO ELECTRONICS CO., LTD

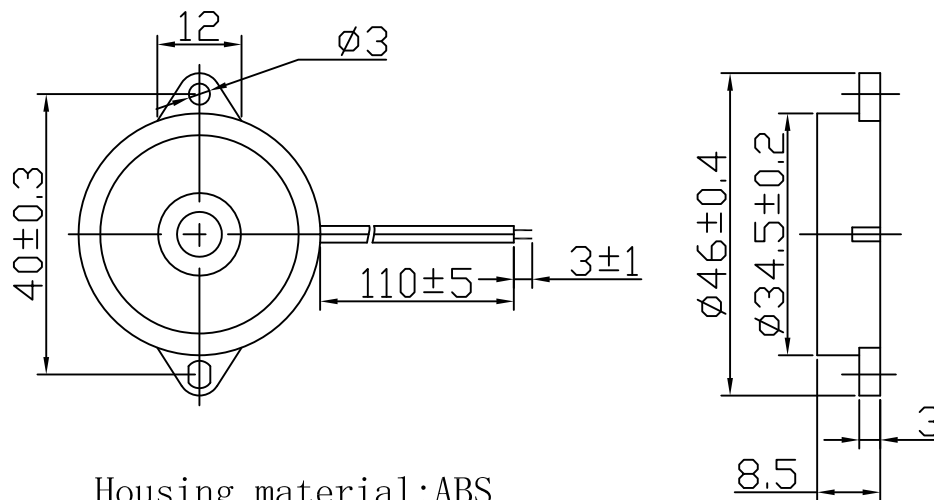
SPECIFICATION SHEET

ELECTRICAL SPECIFICATIONS:

Type	Unit	EPT-35A1110L
Rated voltage (Square Wave)	Vp-p	10
Operating Voltage	Vp-p	1 - 30
*Rated Current (MAX)	mA	3
* Min Sound Output at 1.1KHz/ 10 cm	dB	85
*Resonant Frequency	Hz	1100 ± 500
Capacitance at 120Hz	pF	50000 ± 30%
Lead wire/lead pin material	AWG28 UL1095	
Operating Temperature	° C	-20 - +60
Storage Temperature	° C	-30 - +70
Weight	g	5

*Value Applying at Rated Voltage.

DIMENSIONS UNIT:mm Tolerance: ±0.5mm



Housing material:ABS

Wave solder and wash not allowed

SANCO

EPT-35A1110L

Page 1/1

	NAME	DATE			
Drawing by	Mr. Tang	2000.12.20			
Checked by	Mr. Wang	2000.12.20			
Approved by	Mr. Tang	2000.12.20			

SANCO ELECTRONICS CO., LTD