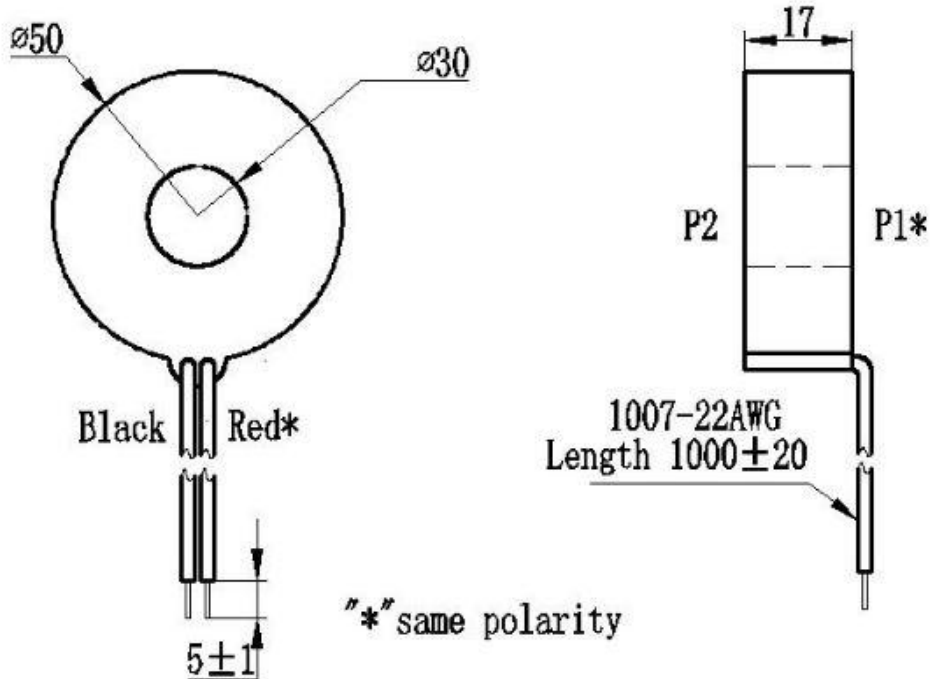


ZMCT153 Current Transformer

Structural parameters:
(Unit:mm)



NOTE: ALL LEAD WIRES ARE #22AWG UL1007, 300V;
LENGTH 1000±20.0mm. S&T 5.0±1mm

Front View

Lateral view

The main technical parameters:

Model	ZMCT153
Rated input current	20A
Rated output current	10mA
Turns ratio	2000:1
linear range	0~300A(sampling resistor 10Ω)
linearity	≤0.1%(5%dot~120%dot)
Permissible error	-0.2% ≤ f ≤ +0.2%(input 20A, sampling resistor 10Ω)
Output leads	Red, black(same polarity: P1 and Red wire)
internal resistance	60Ω±15%
Isolation voltage	3000V
Case	PBT
Wire	#22AWG UL1007, 300V
Encapsulation	Epoxy
installation	Straight-through type
operating temperature	-40°C~+85°C