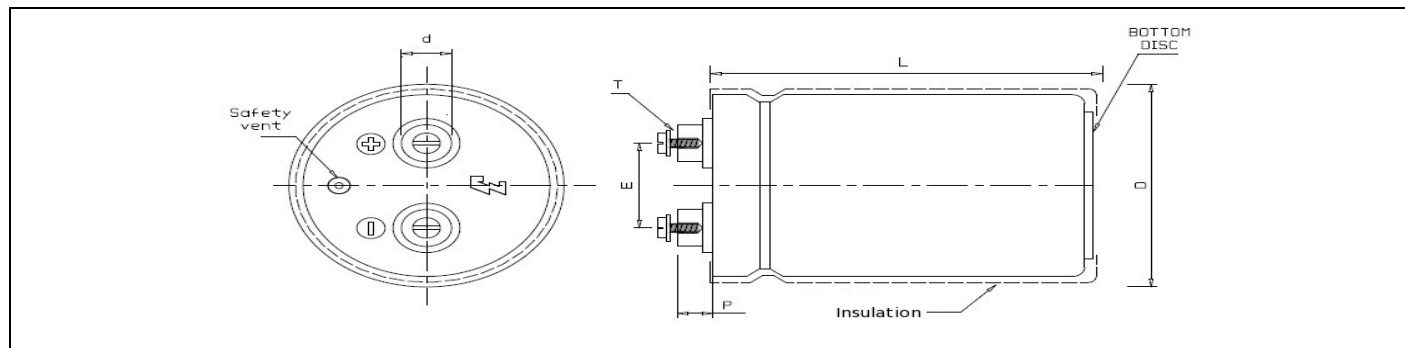


ALUMINUM ELECTROLYTIC CAPACITORS

PG-6SR - 996 - 5600MFD - 450VDC - 76X145 - AEST(Provisional)

DATE:21-SEP-2016



NOTE: ALL DIMENSIONS ARE IN MM

Insulation : PVC TWO LAYER

Bottom Disc : Polypropylene

Dimensions

D (+1.75/-0)	L (±3.0)	E (±0.25)	P(Max)	T	d(±0.1)	Terminal Style
76	145	31.6	7.8	M5X0.8pX10	12	AEST

Electrical Parameters

Nominal Capacitance at 100 Hz and 25°C	5600 MFD
Capacitance Tolerance	±20%
Rated Voltage DC	450 Vdc
Surge Voltage	495 Vdc
Max ESR (at 100 Hz and 25°C)	0.038 Ohm
Typical ESR (at 100 Hz and 25°C)	0.025 Ohm
Max Impedance (at 10 kHz and 25°C)	0.030 Ohm
Max Leakage Current (After 5 min of applying rated voltage)	7560 µA at 25°C
Max Ripple Current (at 100 Hz and 85°C)	16.2 Amp
Temperature Range	-40°C to +85°C
Voltage Endurance Test	2000hrs @85°C and Rated voltage After Test: Change in capacitance : less than or equal to ±10% of Initial value ESR: less than or equal to 1.3 X initial spec value Leakage Current : less than or equal initial spec limit
Useful Life	5000h @85°C, Rated voltage, Rated current After Test Change in capacitance: less than or equal to ±30% of initial value ESR : less than or equal to 3 times of the initial spec value Leakage Current : less than or equal to initial spec limit

Multiplying Factor for Ripple Current at other Temperatures

+40°C	+45°C	+50°C	+65°C
2.20	2.10	1.90	1.60

Ripple Current Capacity at other Frequency

Frequency Hz	100	250	500	1k to 10k	>10K
Multiplying Factor	1.00	1.05	1.20	1.32	1.35

Prepared By		Verified By		Approved By	
-------------	--	-------------	--	-------------	--

Property Of Alcon Electronics Pvt. Ltd