



SPECIFICATION FOR APPROVAL

Customer: _____

Product Material No. : _____

Model No. _____ **LF-GIR020YI** _____

Version : _____ **V3.1** _____

Manufacturer: _____ **Sichuan Ledfriend Technology Co., Ltd** _____

Customer Approval

Tested by	Checked by	Approved by

Ledfriend Approval

Tested by	Checked by	Approved by

The full model numbers required by customers

Full model No.		Full model No.	
Full model No.		Full model No.	

E.C. List

Version	Description of change	Engineer	Date
3.0	format change	Li Xianfei	2015-10-21

Shenzhen Ledfriend Optoelectronics Co., Ltd.
 4&5/F, Bldg 14A, Taihua Wutong Island, Gushu Development Zone, Xixiang Street, Bao'an District,
 Shenzhen, China 518126
 www.lifud.com, China service hotline: 400-096-6815 (China technical support: 13410244507)

Model	LF-GIR020YI	Series	AC220-240V typical plastic case
-------	-------------	--------	---------------------------------

1. Product description



Isolated LED driver suitable for class II LED luminaires.

Category: typical AC220-240V plastic case series.

Product properties: active PFC, high performance, high efficiency, low THD.

Application: commercial, residential and decorative lighting.

Warranty: 5 years (please refer to the warranty condition).

Certifications:



2. Technical data

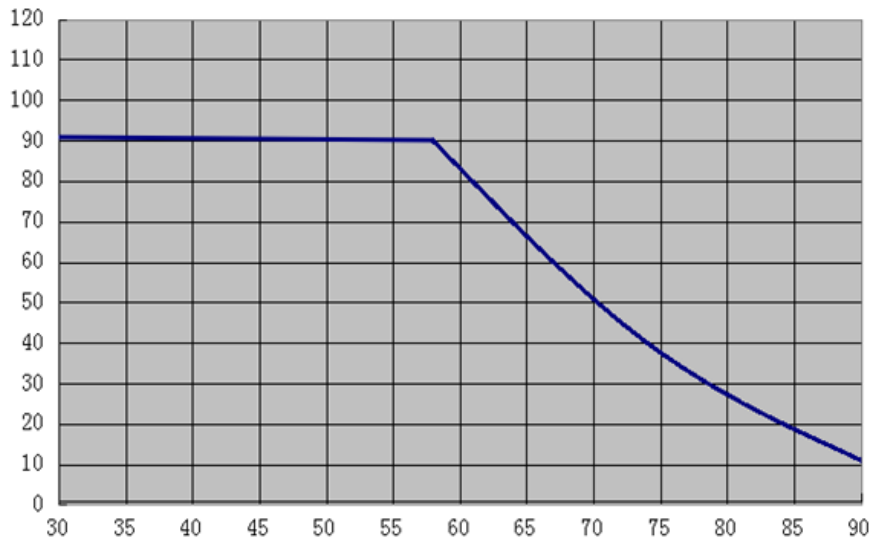
	Full model number	LF-GIR020YI0350H	LF-GIR020YI0400H	LF-GIR020YI0450H	LF-GIR020YI0500H	
Output	Output voltage	27-42 VDC	27-42 VDC	27-42 VDC	27-42 VDC	
	Output current	350mA	400mA	450mA	500mA	
	Ripple current	≤160mA				
	Ripple voltage	≤5V				
	Current tolerance	±5%				
	Time to light	230Vac <0.5S				
	Temperature drift	±10%				
	Output Line regulation	±5%				
Input	Input Line regulation	±5%				
	Input voltage	220-240 Vac, (Max input voltage: 180-264Vac)				
	Frequency	47Hz-63Hz				
	Input current	0.3A Max				
	Power factor	≥0.91/230Vac	≥0.91/230Vac	≥0.92/230Vac	≥0.92/230Vac	
	THD	≤18%				
	Efficiency	≥86%/230Vac	≥86%/230Vac	≥86%/230Vac	≥87%/230Vac	
	In-rush current (peak /duration)	I<60A/350uS@230Vac				
Typ. power input on stand-by	Pin<1W					
Protective features	No-load	Max. output voltage (no-load voltage) 55V				
	Short-circuit	Hiccup mode (auto-recovery)				
Environment condition	Working temperature	-30°C ~ +50°C				
	Working humidity	20-90%RH (no condensation)				
	Storage temperature/humidity	-40°C ~ +80°C (6 months under the class I environment); 10-90%RH (no condensation)				
	Atmospheric pressure	86-106KPa				
Safety and norms	Certifications	ENEC, TUV_GS, CE, CB, RCM, SAA, CCC				
	Hi-pot test	I/P-O/P: 3.75KVac, <5mA, 60S				
	Insulation resistance	I/P-O/P: 500VDC, >100MΩ				
	Surge level	Comply with IEC61000-4-5(L/N: 1KV)				
	EMI	Comply with EN55015 , EN61000-3-2.				
	EMS	Comply with EN61000-4-2, 3, 4, 5, 6, 8, 11; EN61547.				
Others	Packing (weight)	Net weight: 80g±5%/pc; 84pcs/carton; 8.0KG±5%/carton. Carton size: 39 x 29 x 21 cm (L xWxH).				
	IP level	IP20				
	Warranty condition	5 years (Max. case temperature must not exceed 70°C).				
Testing equipment	AC power source: CHROMA6530, digital power meter: CHROMA66202, Oscilloscope: Tektronix DPO3014, DC electronic load: M9712B, LED board, constant temperature and humidity chamber, lightning surge generator: Everfine EMS61000-5B, rapid group pulse generator: Everfine EMS61000-4A, spectroanalyzer: KH3935, hi-pot tester: TH9201B, flicker-free tester (flicker-free coefficient tester) 60N-01, etc.					

Model	LF-GIR020YI	Series	AC220-240V typical plastic case
--------------	-------------	---------------	---------------------------------

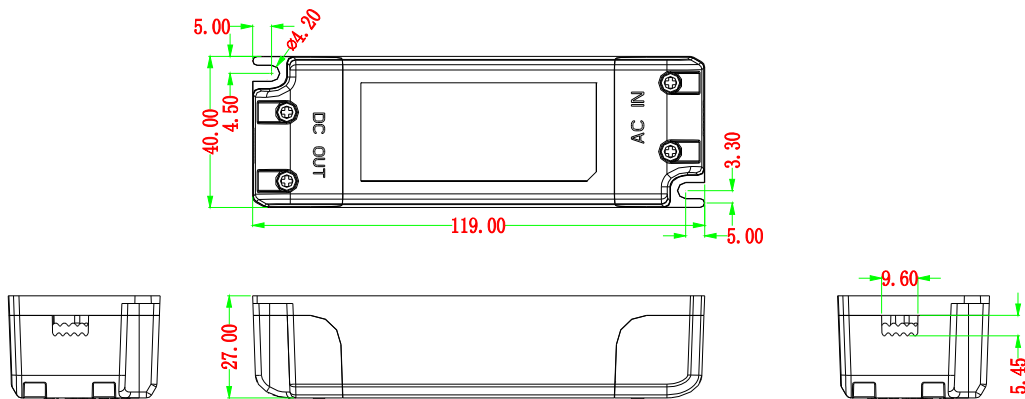
Test conditions	The parameters above including the power factor, THD, efficiency are all tested under the ambient temperature 25°C and humidity 50%, AC input 230V and 90% output load.
Additional Remark	<ol style="list-style-type: none"> 1. In the power supply circuit, it is recommended that the customer should install an over-voltage protection and surge protection device to ensure the safety of using electricity. 2. The PC cover, shell, end caps used together with the LED driver inside the LED lamp must meet the UL94V-0 fire rating level or above. 3. As a part of the LED lamp, the LED driver is not the only factor determining the EMC performance of the LED lamp. And the EMC performance is also related to the LED lamp's structure and the wire routing. Thus we strongly recommend the manufacturer of the finished LED lamp must re-confirm the EMC of the LED lamps.

3. Product Referenced Lifetime Curve

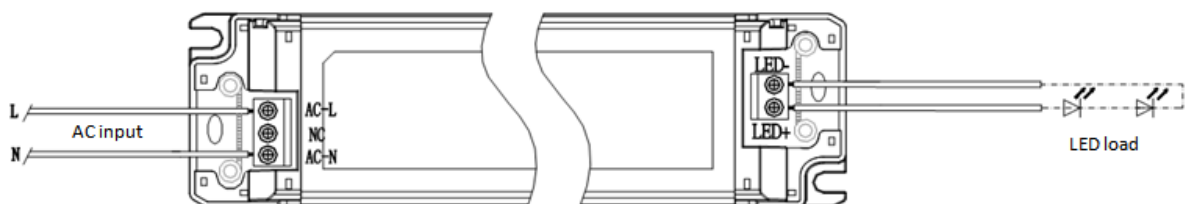
The curve below illustrates the driver's lifetime data when the LED driver's Max. case temperature reaches 40°C, 50°C, 60°C, 70°C, 80°C, 90°C.



4. Dimensional Drawing (unit: mm)



5. Wire Connection Diagram:



Model	LF-GIR020Y1	Series	AC220-240V typical plastic case
--------------	-------------	---------------	---------------------------------