

PCB Connector Series

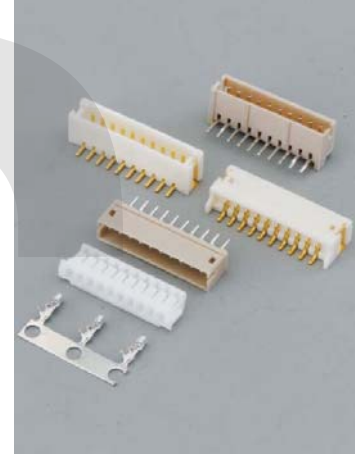
KLS1-XL1-1.50 Pitch=1.50mm TYPE

Electrical Specification:

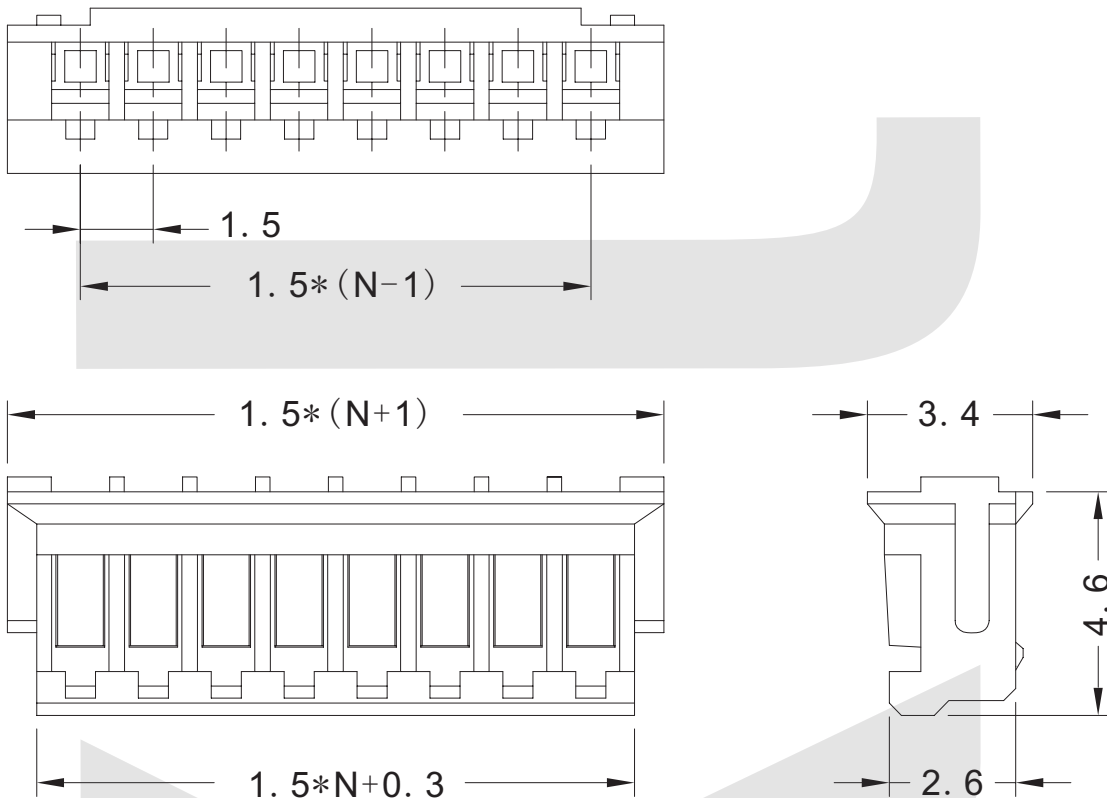
- Rated Voltage: 50/250V AC,DC
- Rated Current: 0.7A 2A
- Contact Resistance: 0.02 Ohm max
- Insulation Resistance: 1000M Ohm min
- Withstand voltage: 800V AC/MIN
- Temperature range for usage : -25°C~+85°C
- P.C board thickness : 0.8~1.6mm

Material:

- Housing: PA66 (PA66) UL94V-2
- Contacts: Brass or Phosphor Bronze
- Plating: Tin 50u" over 100u" nickel
- Wire range : AWG#32~#22



Housing



ORDER INFORMATION

Product NO.: KLS1-XL1-1.50-02-H

- Series No. _____
- Pitch: 1.50=1.50mm _____
- PIN Number: 02 ~ 20Pin _____
- Type: H=Housing T=Terminal
- S=Straight Male pin
- R=Right Male pin
- VM=Vertical SMT
- RM=Horizontal SMT

PCB Connector Series

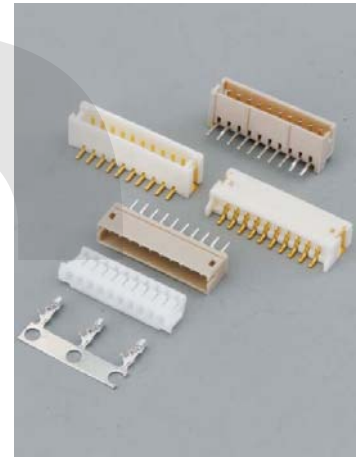
KLS1-XL1-1.50 Pitch=1.50mm TYPE

Electrical Specification:

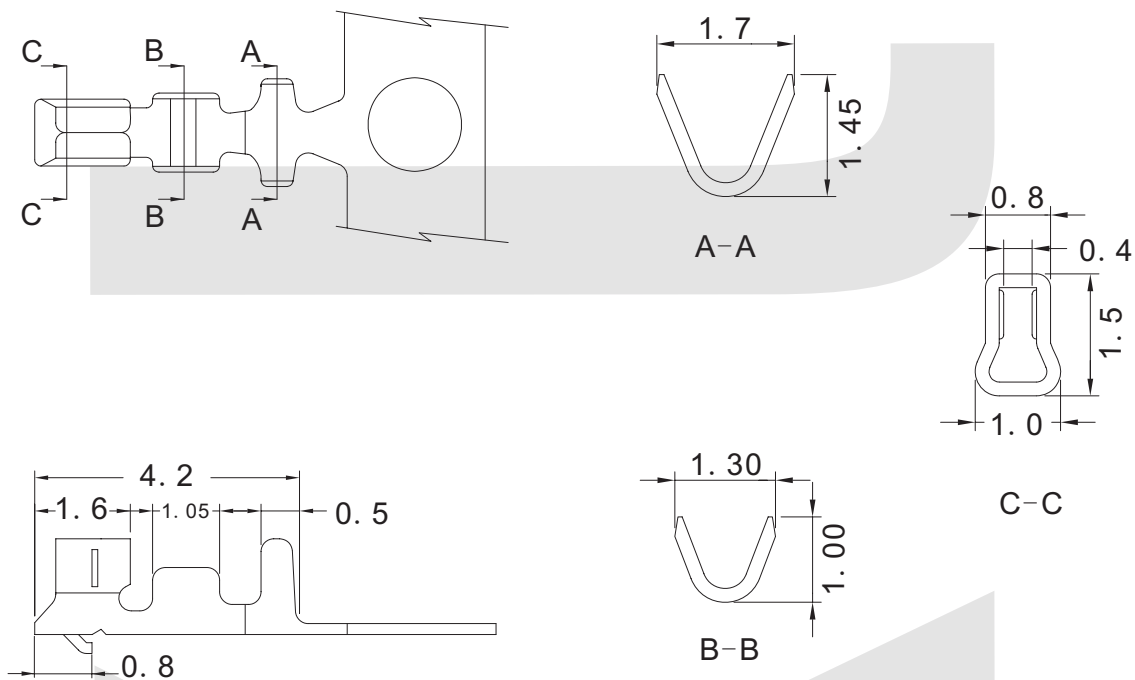
Rated Voltage: 50/250V AC,DC
 Rated Current: 0.7A 2A
 Contact Resistance: 0.02 Ohm max
 Insulation Resistance: 1000M Ohm min
 Withstand voltage: 800V AC/MIN
 Temperature range for usage : -25°C~+85°C
 P.C board thickness : 0.8~1.6mm

Material:

Housing: PA66 (PA66) UL94V-2
 Contacts: Brass or Phosphor Bronze
 Plating: Tin 50u" over 100u" nickel
 Wire range : AWG#32~#22



Terminal



ORDER INFORMATION

Product NO.: KLS1-XL1-1.50-T

Series No. _____ Type: H=Housing T=Terminal
 Pitch: 1.50=1.50mm _____ S=Straight Male pin
 R=Right Male pin
 VM=Vertical SMT
 RM=Horizontal SMT

PCB Connector Series

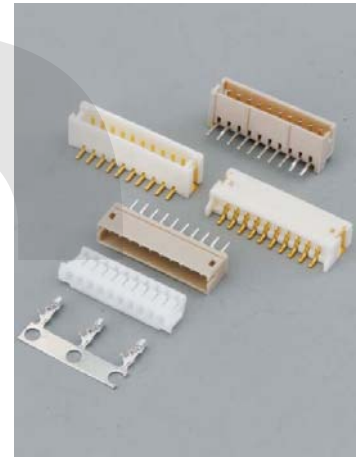
KLS1-XL1-1.50 Pitch=1.50mm TYPE

Electrical Specification:

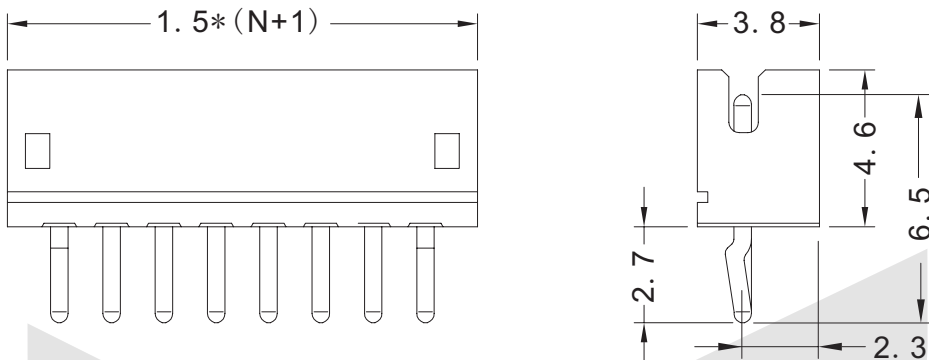
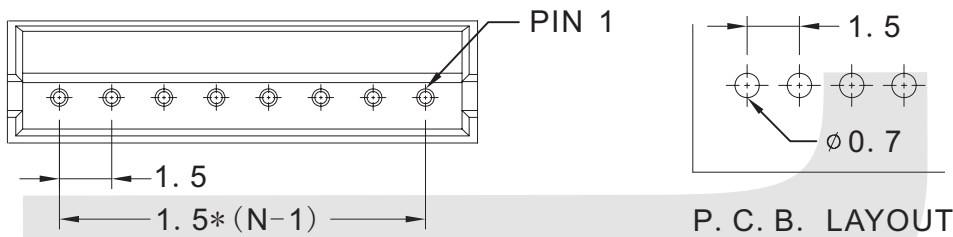
Rated Voltage: 50/250V AC/DC
 Rated Current: 0.7A 2A
 Contact Resistance: 0.02 Ohm max
 Insulation Resistance: 1000M Ohm min
 Withstand voltage: 800V AC/MIN
 Temperature range for usage : -25°C~+85°C
 P.C board thickness : 0.8~1.6mm

Material:

Housing: PA66 (PA66) UL94V-2
 Contacts: Brass or Phosphor Bronze
 Plating: Tin 50u" over 100u" nickel
 Wire range : AWG#32~#22



Straight Male Pin



ORDER INFORMATION

Product NO.: KLS1-XL1-1.50-02-S

Series No. _____
 Pitch: 1.50=1.50mm _____
 PIN Number: 02 ~ 20Pin _____

Type:H=Housing T=Terminal
 S=Straight Male pin
 R=Right Male pin
 VM=Vertical SMT
 RM=Horizontal SMT

PCB Connector Series

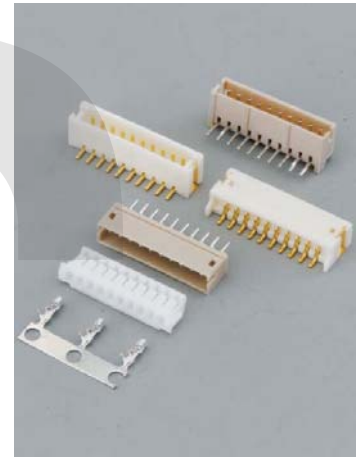
KLS1-XL1-1.50 Pitch=1.50mm TYPE

Electrical Specification:

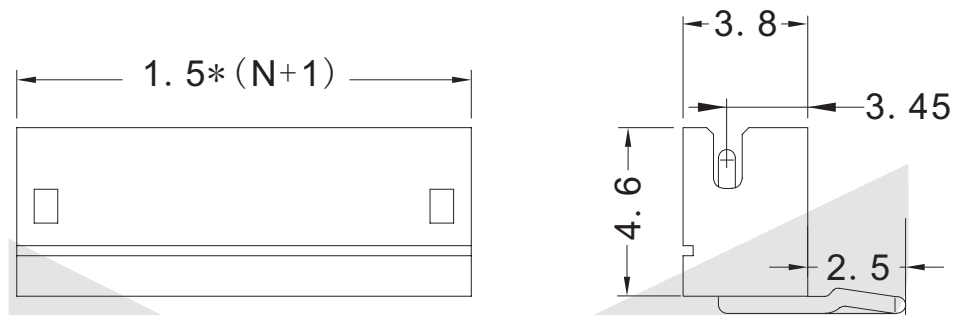
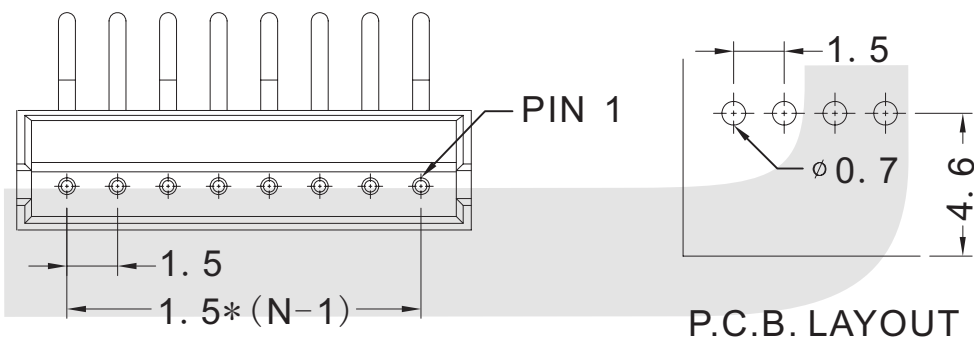
Rated Voltage: 50/250V AC.DC
 Rated Current: 0.7A 2A
 Contact Resistance: 0.02 Ohm max
 Insulation Resistance: 1000M Ohm min
 Withstand voltage: 800V AC/MIN
 Temperature range for usage : -25°C~+85°C
 P.C board thickness : 0.8~1.6mm

Material:

Housing: PA66 (PA66) UL94V-2
 Contacts: Brass or Phosphor Bronze
 Plating: Tin 50u" over 100u" nickel
 Wire range : AWG#32~#22



Right Male Pin



ORDER INFORMATION

Product NO.: KLS1-XL1-1.50-02-R

Series No. _____
 Pitch: 1.50=1.50mm _____
 PIN Number: 02 ~ 20Pin _____

Type:H=Housing T=Terminal
 S=Straight Male pin
 R=Right Male pin
 VM=Vertical SMT
 RM=Horizontal SMT

PCB Connector Series

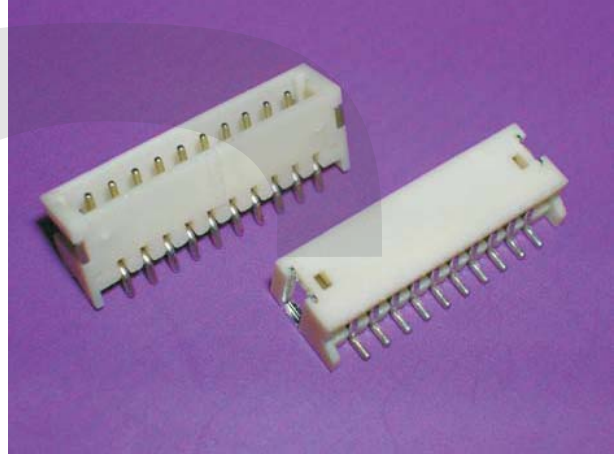
KLS1-XL1-1.50 Pitch=1.50mm TYPE

Electrical Specification:

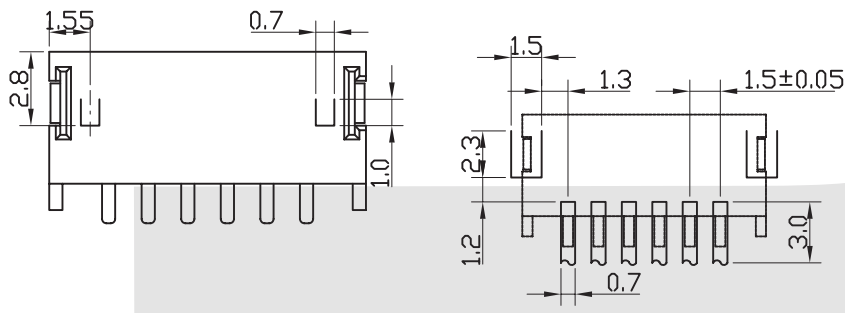
Rated Voltage: 50/250V AC/DC
 Rated Current: 0.7A 2A
 Contact Resistance: 0.02 Ohm max
 Insulation Resistance: 1000M Ohm min
 Withstand voltage: 800V AC/MIN
 Temperature range for usage : -25°C~+85°C
 P.C board thickness : 0.8~1.6mm

Material:

Housing: PA66 (PA66) UL94V-2
 Contacts: Brass or Phosphor Bronze
 Plating: Tin 50u" over 100u" nickel
 Wire range : AWG#32~#22



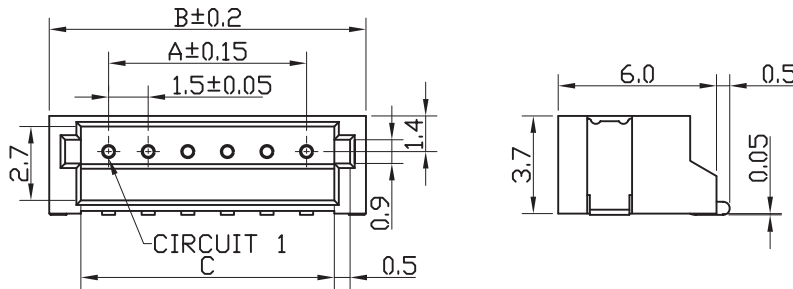
Horizontal SMT



P.C.B LAYUUT

Dimensional

Poles	DIM: (mm)		
	A	B	C
02	1.50	6.00	3.60
03	3.00	7.50	5.10
04	4.50	9.00	6.60
05	6.00	10.50	8.10
06	7.50	12.00	9.60
07	9.00	13.50	11.10
08	10.50	15.00	12.60
09	12.00	16.50	14.10
10	13.50	18.00	15.60
11	15.00	19.50	17.10
12	16.50	21.00	18.60
13	18.00	22.50	20.10



ORDER INFORMATION

Product NO.: KLS1-XL1-1.50-02-RM

Series No. _____ Type:H=Housing T=Terminal
 Pitch: 1.50=1.50mm S=Straight Male pin
 PIN Number: 02 ~ 13Pin R=Right Male pin
 VM=Vertical SMT
 RM=Horizontal SMT

PCB Connector Series

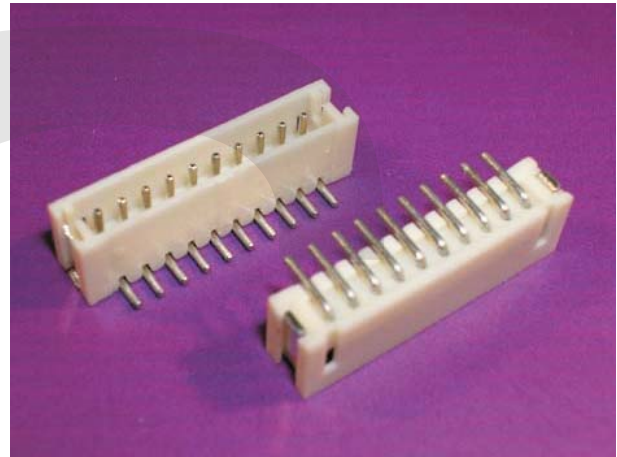
KLS1-XL1-1.50 Pitch=1.50mm TYPE

Electrical Specification:

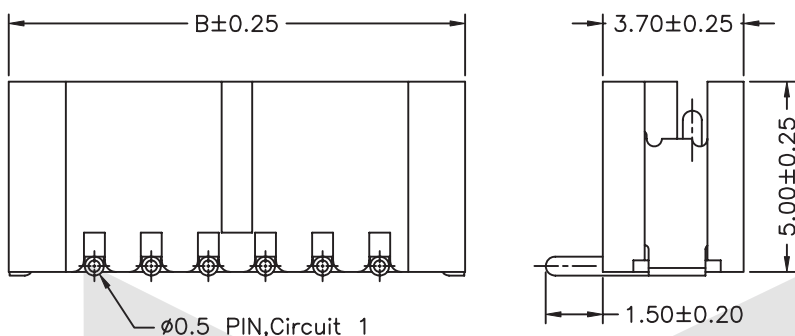
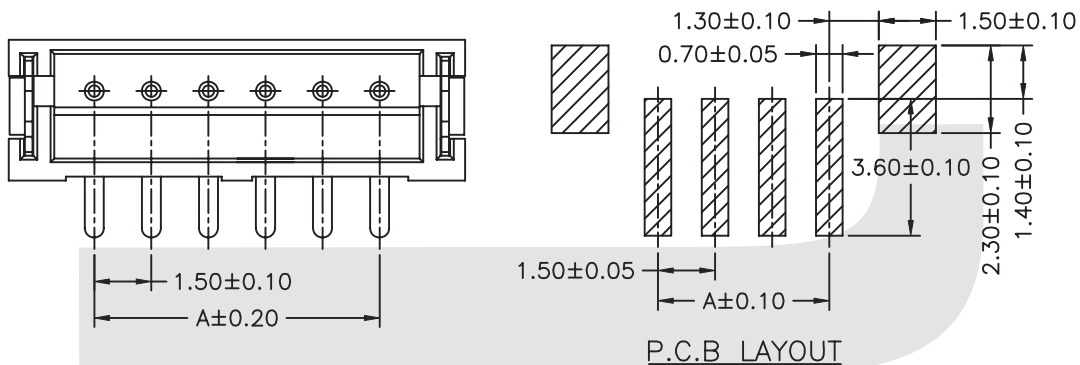
Rated Voltage: 50/250V AC/DC
 Rated Current: 0.7A 2A
 Contact Resistance: 0.02 Ohm max
 Insulation Resistance: 1000M Ohm min
 Withstand voltage: 800V AC/MIN
 Temperature range for usage : -25°C~+85°C
 P.C board thickness : 0.8~1.6mm

Material:

Housing: PA66 (PA66) UL94V-2
 Contacts: Brass or Phosphor Bronze
 Plating: Tin 50u" over 100u" nickel
 Wire range : AWG#32~#22



Vertical SMT



Poles	Dimensions	
	A	B
02	1.50	6.00
03	3.00	7.50
04	4.50	9.00
05	6.00	10.50
06	7.50	12.00
07	9.00	13.50
08	10.50	15.00
09	12.00	16.50
10	13.50	18.00
11	15.00	19.50
12	16.50	21.00
13	18.00	22.50

ORDER INFORMATION

Product NO.: KLS1-XL1-1.50-02-VM

Series No. _____ Type:H=Housing T=Terminal
 Pitch: 1.50=1.50mm S=Straight Male pin
 PIN Number: 02 ~ 13Pin R=Right Male pin
 VM=Vertical SMT
 RM=Horizontal SMT