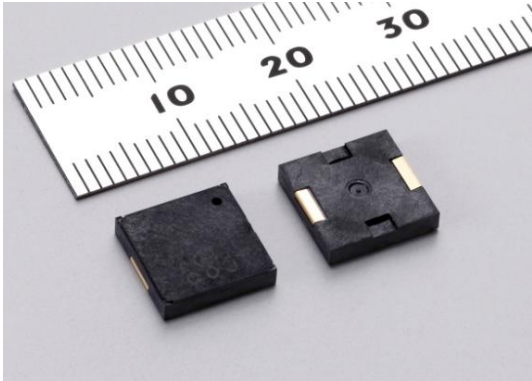


# Piezoelectric SMD Sounder

## - For consumer & Medical market -



### Application

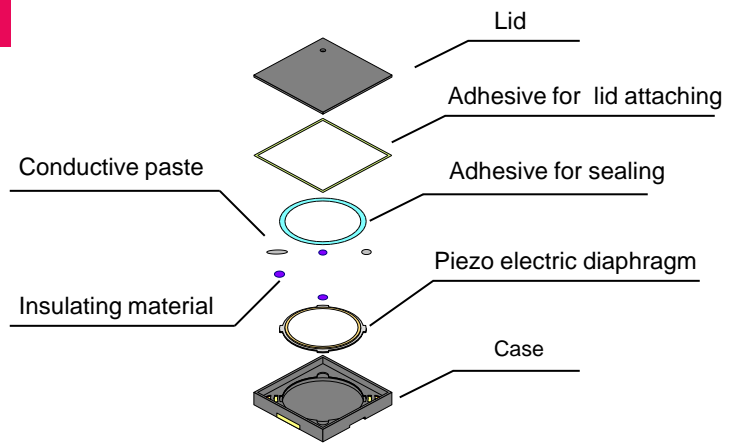
#### For consumer and medical market.

- **Consumer** : Remote controller  
Mobile printer  
Payment terminal  
Digital still camera etc...
- **Medical** : Blood glucose meter  
Thermometer etc...



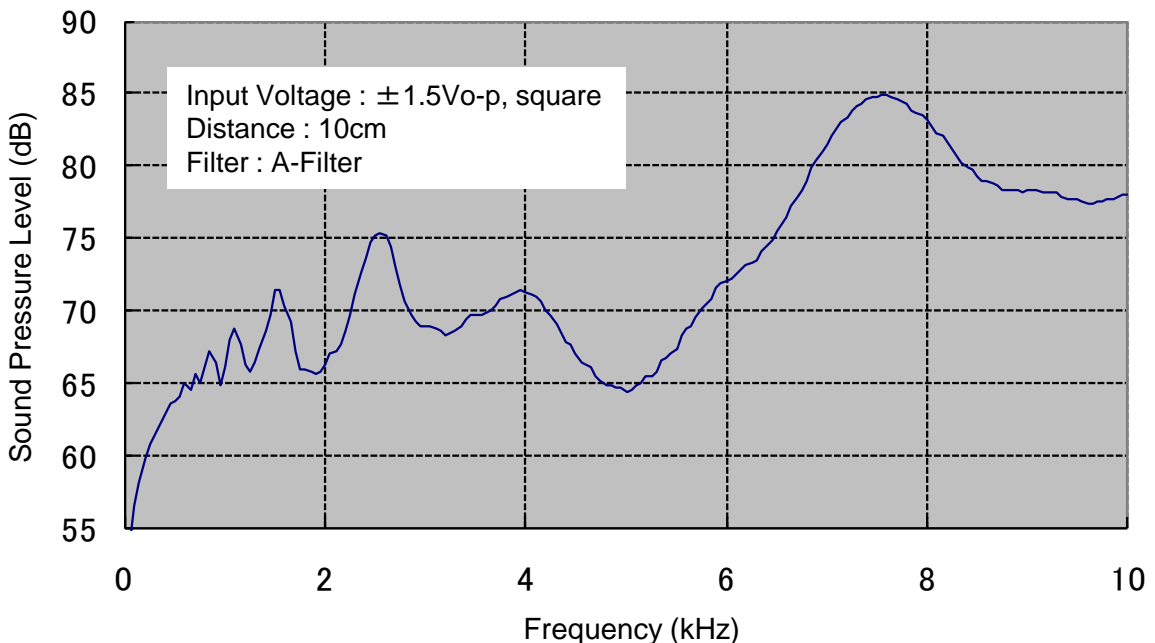
### Feature and Structure

- ✓ **Small, thin and lightweight**  
9.0mm x 9.0mm x 1.9mm  
44% less than current one
- ✓ **Low power consumption**
- ✓ **The piezo based brings in noiseless because of magnet less**



### Sound Pressure Level

Frequency Characteristics of Sound Pressure Level  
**PKMCS0909E4000-R1**



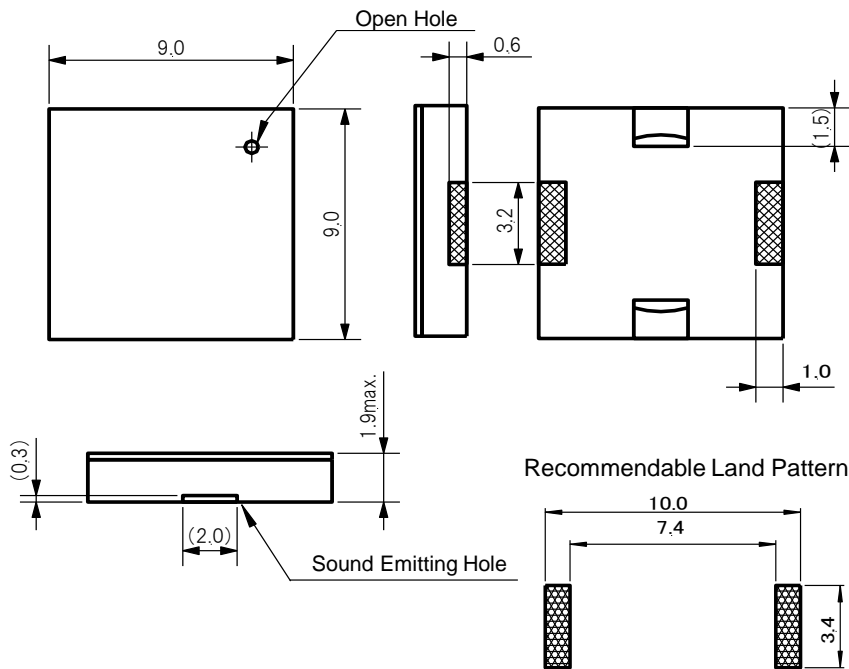
# Specifications

<b>Global Part Number</b>	PKMCS0909E4000-R1
<b>Sound Pressure Level</b>	65dB min.
<b>Measure Condition of Sound Pressure Level</b>	$\pm 1.5$ Vo-p, 4.0kHz, square wave, 10cm
<b>Maximum Input Voltage</b>	$\pm 12.5$ Vo-p max.
<b>Operating Temperature Range</b>	-40 to +85°C
<b>Storage Temperature Range</b>	-40 to +85°C
<b>Drive Type</b>	External-Drive

# Dimensions and Land pattern

(in mm)

## PKMCS Series



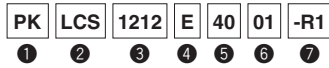
\* The location of open hole is not specified.

\* Tol. :  $\pm 0.2$ mm

● Part Numbering

SMD Piezoelectric Sounder

(Part Number)



① Product ID

Product ID	
<b>PK</b>	Piezoelectric Sound Components

② Product

Code	Product
<b>LCS/MCS</b>	SMD Sounder

③ Dimensions

Code	Outer Dimensions
<b>1212</b>	□12mm
<b>0909</b>	□9mm

④ Drive

Code	Drive
<b>E</b>	External Drive

⑤ Oscillating Frequency Type

Code	Oscillating Frequency Type
<b>40</b>	Expressed resonant frequency by two-digit alphanumerics. The unit is in 100 hertz (Hz.) 4kHz (4000Hz) is denoted as "40."

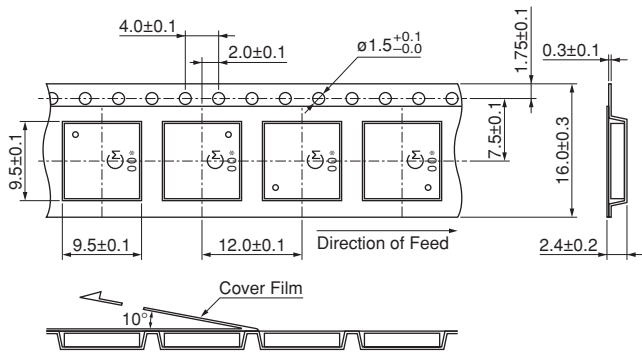
⑥ Individual Specification Code

Code	Individual Specification Code
<b>01</b>	Two digits express specific specification in characteristics.

⑦ Packaging

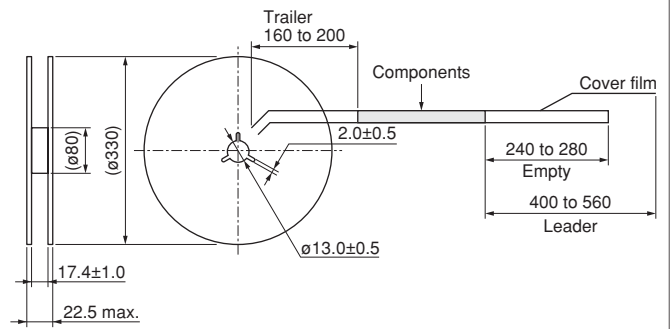
Code	Packaging
<b>-R1</b>	Plastic taping

### Dimensions of Plastic Tape



The cover Film peel strength force 0.1 to 0.7N  
 The cover Film peel speed 300mm/min.

### Dimensions of Plastic Reel



(in mm)