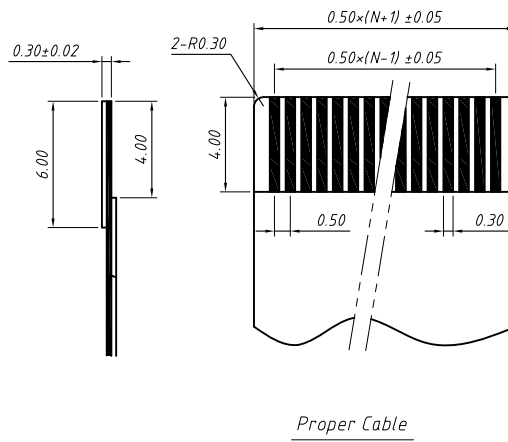
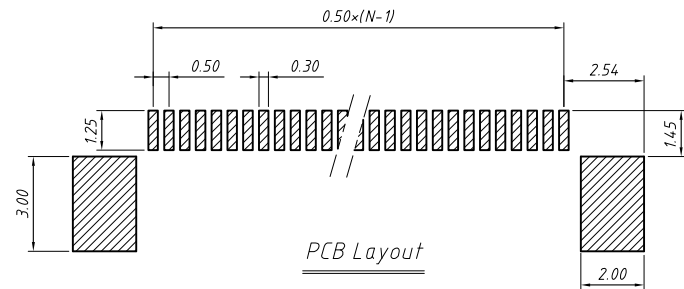


Material
 Housing: LCP UL94V-0
 Terminal: Phosphor Bronze Tin-plated
 Fitting Nial: Phosphor Bronze Tin-plated

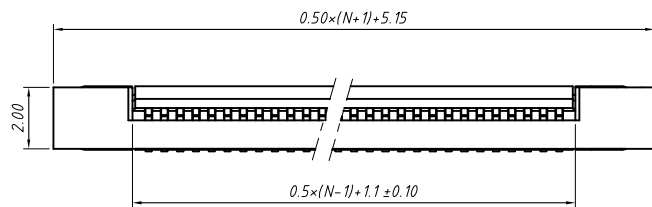
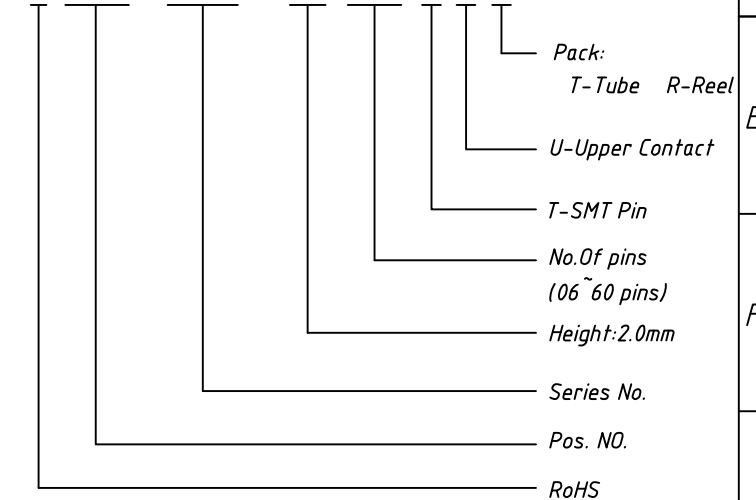
Electrical
 Voltage rating: 50 V
 Current rating: 0.4 A
 Withstanding Voltage: 200 V
 Insulation resistance: 500MΩ.Min.
 Contact resistance: 20 mΩ.Max.

Mechanical
 Temp. Range: -25 °C ~ +85 °C



Order Information

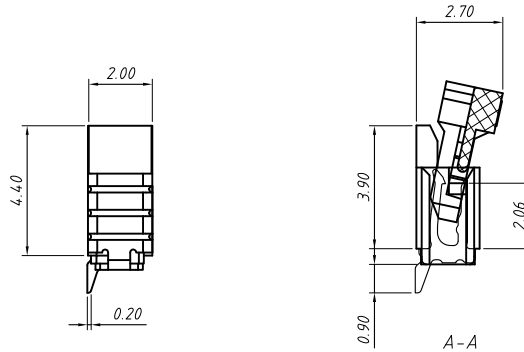
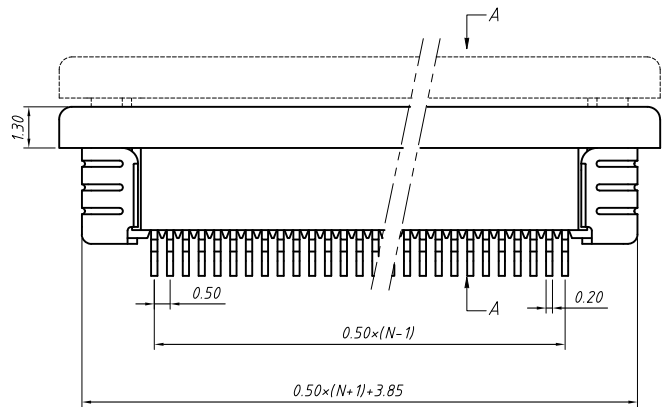
L-KLS1- 1242E - 2.0- XX - T-U-R



GENERAL TOLERANCE		ANGLE TOLERANCE		PROJECTION	Description: CONN FFC 0.50mm,SMD, Horizontal, Upper Contact ,with ZIF L-KLS1-1242E-2.0-XX-T-U-R
X	±0.15	X	±5°	UNITS mm	
.X	±0.03	.X	±3°	SHEET SIZE A4	
.XX	±0.05	.XX	±2°	KLS P/N:	

Draw by: Date	2018-03-10
Check by: Date	2018-03-10
SCALE	SHEET OF

KLS NingBo KLS ELECTRONIC CO.,LTD.



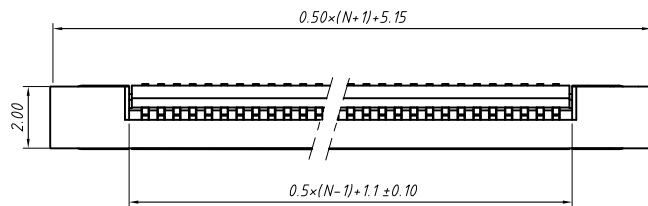
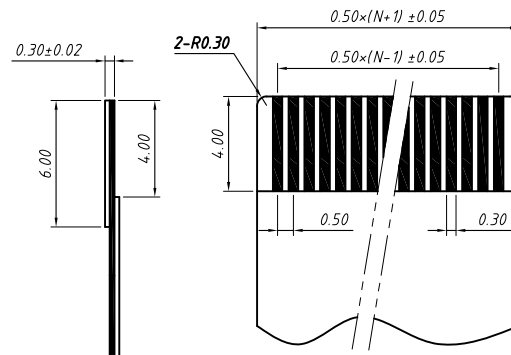
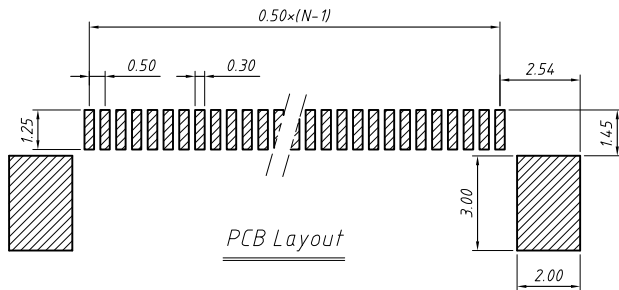
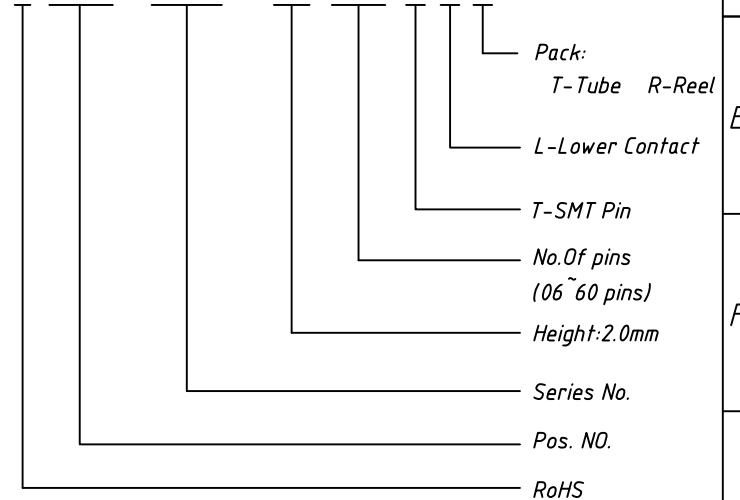
Material
 Housing: LCP UL94V-0
 Terminal: Phosphor Bronze Tin-plated
 Fitting Nial: Phosphor Bronze Tin-plated

Electrical
 Voltage rating: 50 V
 Current rating: 0.4 A
 Withstanding Voltage: 200 V
 Insulation resistance: 500MΩ.Min.
 Contact resistance: 20 mΩ.Max.

Mechanical
 Temp. Range: -25 °C ~ +85 °C

Order Information

L-KLS1- 1242E - 2.0- XX -T-L-R



GENERAL TOLERANCE	ANGLE TOLERANCE	PROJECTION	Description:
X. ±0.15	X. ±5°	UNITS	CONN FFC 0.50mm,SMD, Horizontal, Lower Contact , with ZIF L-KLS1-1242E-2.0-XX-T-L-R
.X ±0.03	.X ±3°	SHEET SIZE	
.XX ±0.05	.XX ±2°	KLS P/N:	

Draw by: Date	2018-03-10
Check by: Date	2018-03-10
SCALE	SHEET OF

KLS
 NingBo KLS ELECTRONIC CO.,LTD.