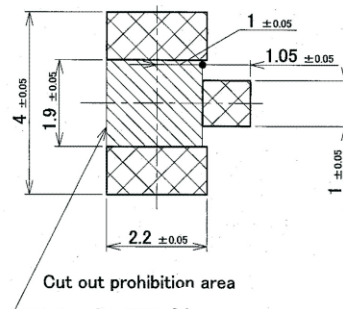
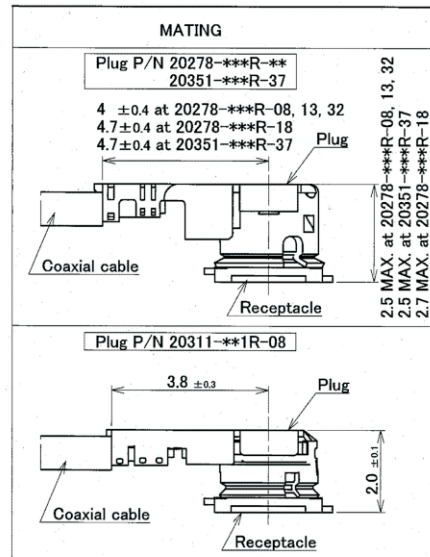
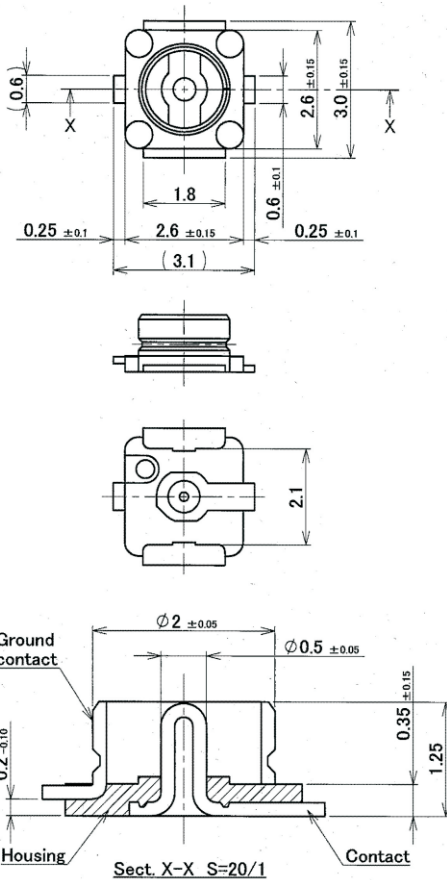


MHF series micro coaxial connector

KLS1-IPEX MHF series micro coaxial connector receptacle vertical

Notes.

1. Material:
- (1) Housing: LCP, UL94V-0, white
- (2) Contact: Brass, Au 0.1µm MIN. over NI 1.27 MIN.
- (3) Ground contact: Phosphor bronze, Au 0.05µm MIN. over NI 1.27 MIN.
2. Coplanarity: 0.1mm MAX.
3. Packing: Emboss tape.
4. Mating partner part no: 20278-***R-**, 20311-**1R-08
5. This is "Pb-free" connector
6. RoHS compliant
7. operation temperature, -40°C to +85°C
8. impedance, 50Ω
9. Insulator Resistance, 500MΩ min 100V DC
10. Maximum Frequency : 0-6GHz



ORDER INFORMATION

Product NO.: KLS1-IPEX-20279-001E-01

