

PCB Connector Series

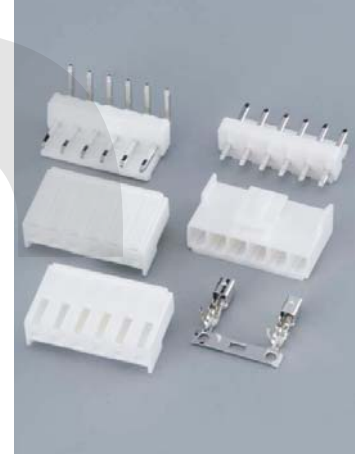
KLS1-3.96A Pitch=3.96mm TYPE

Electrical Specification:

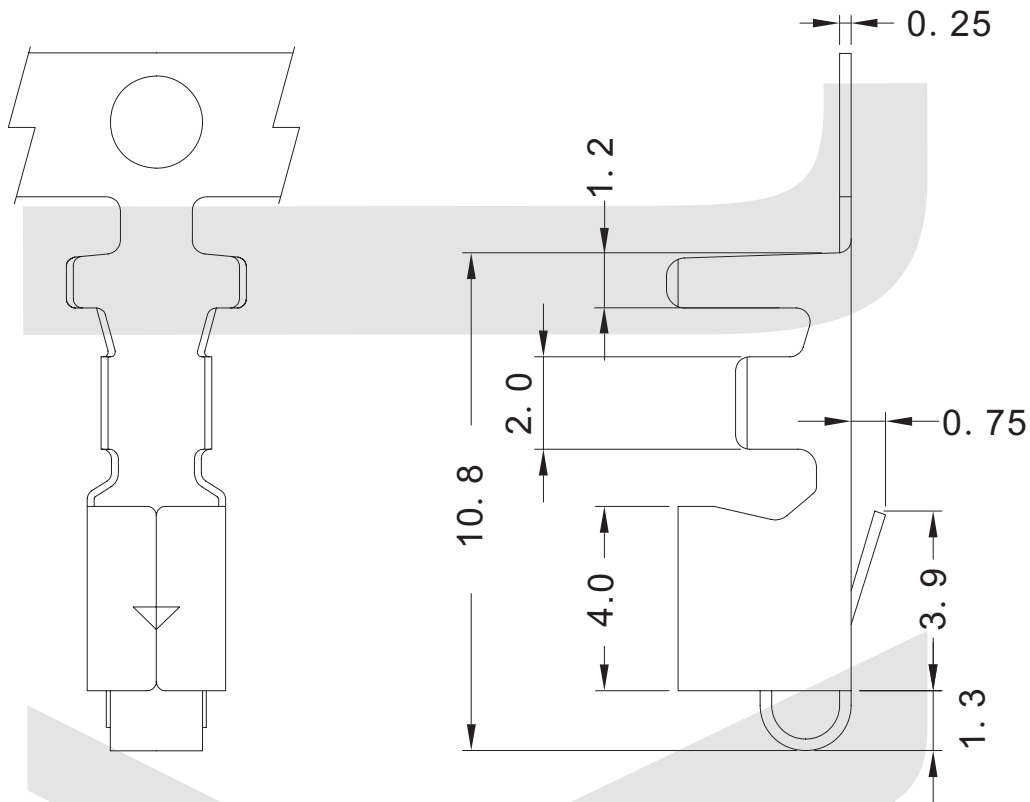
Rated Voltage: 50/250V AC.DC
Rated Current: 7A
Contact Resistance: 0.02 Ohm max
Insulation Resistance: 1000M Ohm min
Withstand voltage: 1500V AC/MIN
Temperature range for usage : -25°C~+85°C
P.C board thickness : 1.6mm

Material:

Housing: PA66 (PA66) UL94V-2
Contacts: Brass or Phosphor Bronze
Plating: Tin 50u" over 100u" nickel
Wire range : AWG#24#18



Terminal



ORDER INFORMATION

Product NO.: KLS1-3.96A-T

Pitch: 396A=3.96mm

Type: H=Housing
S=Straight Male pin
T=Terminal
R=Right Male pin

PCB Connector Series

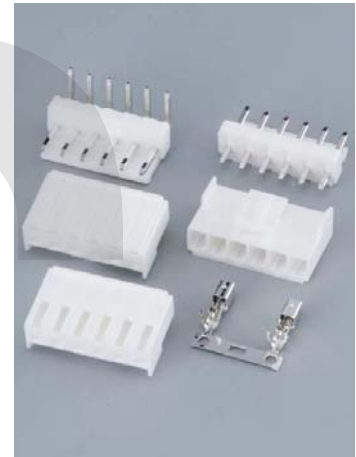
KLS1-3.96A Pitch=3.96mm TYPE

Electrical Specification:

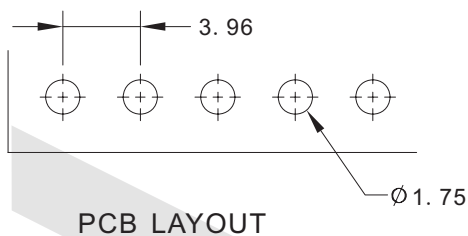
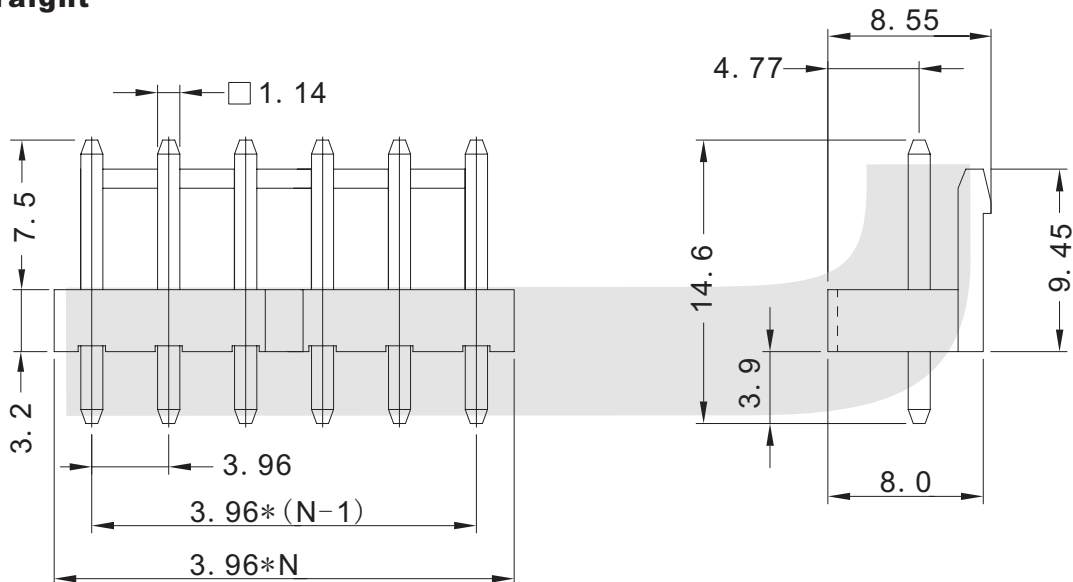
Rated Voltage: 50/250V AC.DC
 Rated Current: 7A
 Contact Resistance: 0.02 Ohm max
 Insulation Resistance: 1000M Ohm min
 Withstand voltage: 1500V AC/MIN
 Temperature range for usage : -25°C~+85°C
 P.C board thickness : 1.6mm

Material:

Housing: PA66 (PA66) UL94V-2
 Contacts: Brass or Phosphor Bronze
 Plating: Tin 50u" over 100u" nickel
 Wire range : AWG#24#18



Straight



ORDER INFORMATION

Product NO.: KLS1-3.96A-XX-S

Pitch: 396A=3.96mm

Type: H=Housing
S=Straight Male pin

T=Terminal
R=Right Male pin

PIN Number: 02 ~ 13Pin

PCB Connector Series

KLS1-3.96A Pitch=3.96mm TYPE

Electrical Specification:

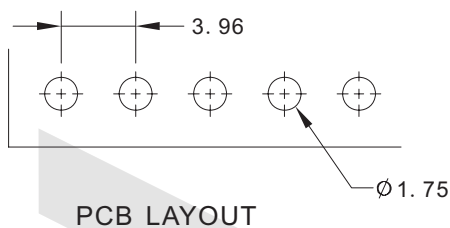
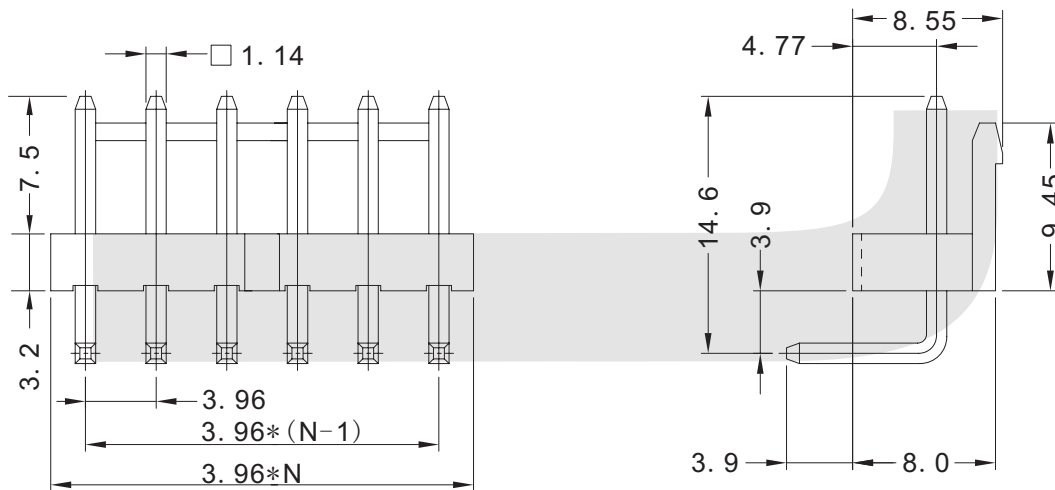
Rated Voltage: 50/250V AC.DC
 Rated Current: 7A
 Contact Resistance: 0.02 Ohm max
 Insulation Resistance: 1000M Ohm min
 Withstand voltage: 1500V AC/MIN
 Temperature range for usage : -25°C~+85°C
 P.C board thickness : 1.6mm

Material:

Housing: PA66 (PA66) UL94V-2
 Contacts: Brass or Phosphor Bronze
 Plating: Tin 50u" over 100u" nickel
 Wire range : AWG#24#18



Right angle



ORDER INFORMATION

Product NO.: KLS1-3.96A-XX-R

Pitch: 396A=3.96mm

Type: H=Housing
S=Straight Male pin

T=Terminal
R=Right Male pin

PIN Number: 02 ~ 13Pin