

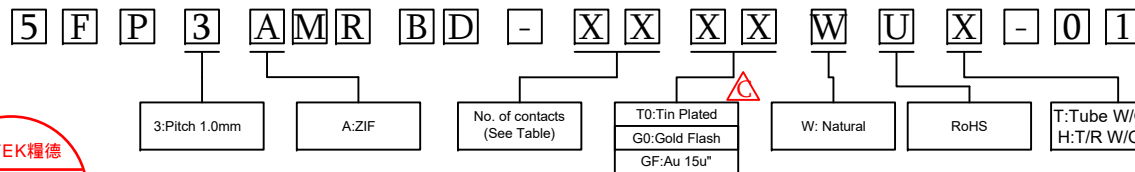
SPECIFICATION

Current Rating: 0.5 AMP
 Insulation Resistance: 100MΩ Min.
 Contact Resistance: 30mΩ Max.
 Dielectric Voltage: 250V AC/Minute
 Operation Temperature: -25 °C to +85 °C

MATERIAL

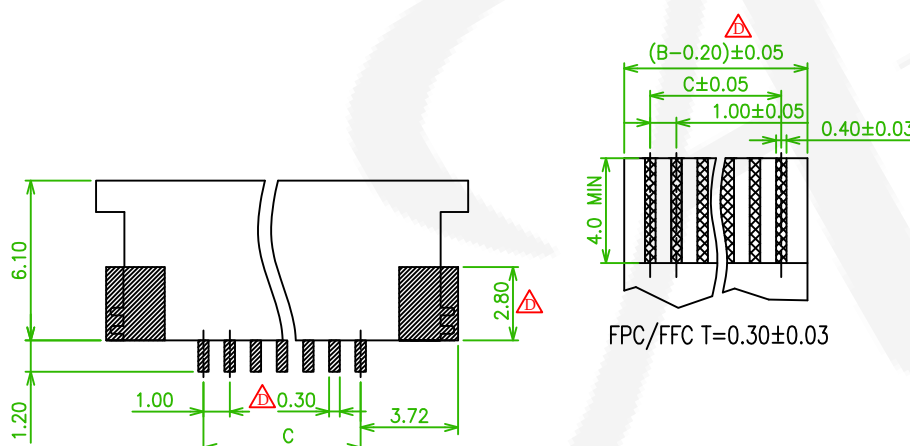
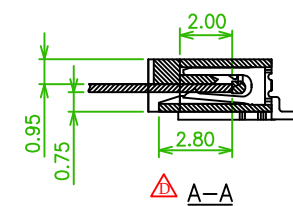
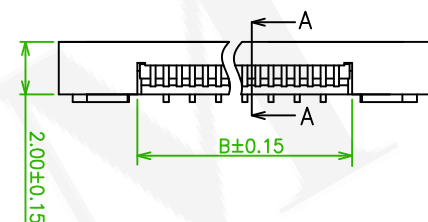
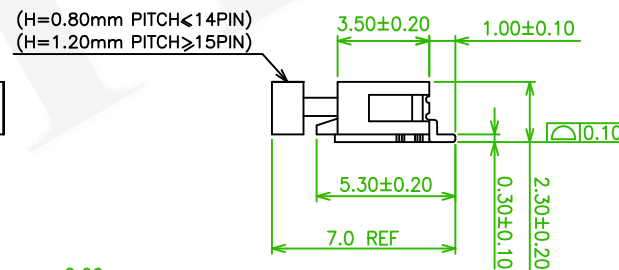
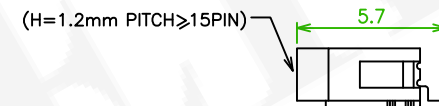
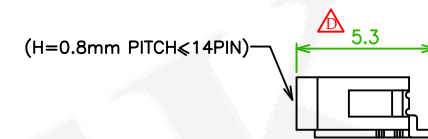
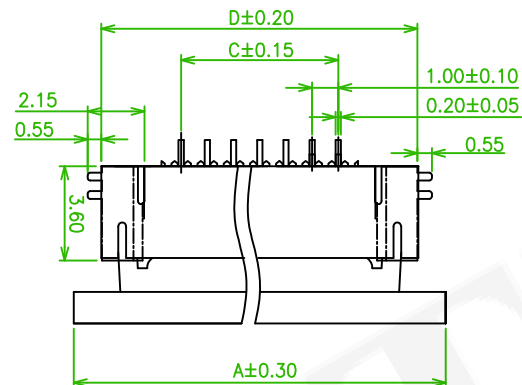
Insulator: Hi-Temp. Thermoplastic, UL 94V-0
 Contact Pin: Copper Alloy

ORDER INFORMATION



AMTEK 禮德
 2022.08.16
 Released DCC

Circuits	Dimension				Circuits	Dimension			
	A	B	C	D		A	B	C	D
2	9.20	3.20	1.00	7.10	20	27.20	21.20	19.00	25.10
3	10.20	4.20	2.00	8.10	21	28.20	22.20	20.00	26.10
4	11.20	5.20	3.00	9.10	22	29.20	23.20	21.00	27.10
5	12.20	6.20	4.00	10.10	23	30.20	24.20	22.00	28.10
6	13.20	7.20	5.00	11.10	24	31.20	25.20	23.00	29.10
7	14.20	8.20	6.00	12.10	25	32.20	26.20	24.00	30.10
8	15.20	9.20	7.00	13.10	26	33.20	27.20	25.00	31.10
9	16.20	10.20	8.00	14.10	27	34.20	28.20	26.00	32.10
10	17.20	11.20	9.00	15.10	28	35.20	29.20	27.00	33.10
11	18.20	12.20	10.00	16.10	29	36.20	30.20	28.00	34.10
12	19.20	13.20	11.00	17.10	30	37.20	31.20	29.00	35.10
13	20.20	14.20	12.00	18.10					
14	21.20	15.20	13.00	19.10					
15	22.20	16.20	14.00	20.10					
16	23.20	17.20	15.00	21.10					
17	24.20	18.20	16.00	22.10					
18	25.20	19.20	17.00	23.10					
19	26.20	20.20	18.00	24.10					



Recommended PCB Layout
 (PCB TOLERANCE ±0.1)

Old Part No. : FPC3AMR6-XX-B-U

△x7	ECN NO.:220717 Revise the drawing	Benson	2022/08/10
△x1	Add a plated: GF: Au 15u".	Gary	2018/04/27
△x1	Revise the drawing	Roy	2016/06/16
REV.	ECN NO. OR DESCRIPTION	REVISED	DATE

 禮德精密有限公司 Amtek Technology Co., Ltd. TEL: 886-2-2260-6878 FAX: 886-2-2260-8030	品名 TITLE	FPC/FFC 1.0mm ZIF R/A SMT TYPE			頁數 Page	1/1
	品號 PART NO.	5FP3AMRBD-XXXXWUX-01			繪圖 DRAWN	Roy 2015/09/23
	圖號 DRAWING NO.	GN033-GB099	版本 REV.	D	核對 CHECKED	Josh 2018/04/27
	客戶品號 CUSTOMER P/N		比例 SCALE	None	承認 APPROVED	Jason 2018/04/27
	公差 TOLERANCE	.X ± 0.20 .XX ± 0.10	單位 UNIT	mm	THIRD ANGLE PROJECTION	