

6018

61x62x18MM



General Specifications

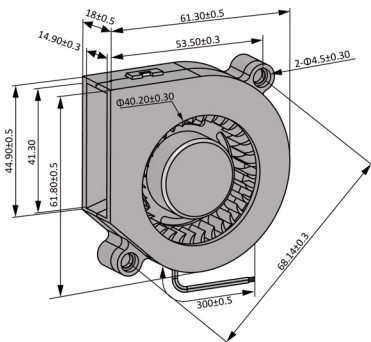
- ◆ Material..... Frame: Plastic (UL94V-0)
Impeller: Plastic (UL94V-0)
Lead Wire: UL1007AWG#24 or Equivalent (+) Red, (-) Black
- ◆ Expected Life..... Ball Bearing 50,000hrs (40°C)
- ◆ Temperature Range.... Operating temperature -10°C~70°C (Non-condensing)
Storage temperature -40°C~70°C (Non-condensing)
- ◆ Safety Standards..... UL, TUV, RoHS, CE
- ◆ DC Fan Specials..... RD, FG, PWM, Temperature control, IP56

Specifications

Model	#Bearing Type	Rated Voltage	Operating Voltage	Input Current	Input Power	Speed	Max Air Flow	Max Static Pressure	Noise	Weight		
Part No.	B.S	VDC	VDC	Amp	Watt	RPM	CFM	m ³ /min	Inch-H ₂ O	Pa	dB-A	g
DB06018#05M	B.S	5	3.5~5.5	0.36	1.80	4500	5.09	0.14	0.42	104.54	39.0	41.0
DB06018#05L	B.S	5	3.5~5.5	0.24	1.20	3500	4.06	0.11	0.25	62.37	34.0	41.0
DB06018#12H	B.S	12	7.0~13.8	0.30	3.60	5500	5.89	0.17	0.71	176.81	43.0	41.0
DB06018#12M	B.S	12	7.0~13.8	0.20	2.40	4500	5.09	0.14	0.42	104.54	39.0	41.0
DB06018#12L	B.S	12	7.0~13.8	0.15	1.80	3500	4.06	0.11	0.25	62.37	34.0	41.0
DB06018#24H	B.S	24	14.0~27.6	0.20	4.80	5500	5.89	0.17	0.71	176.81	43.0	41.0
DB06018#24M	B.S	24	14.0~27.6	0.12	2.88	4500	5.09	0.14	0.42	104.54	39.0	41.0
DB06018#24L	B.S	24	14.0~27.6	0.08	1.92	3500	4.06	0.11	0.25	62.37	34.0	41.0

Specifications are subject to change without notice. Please visit our website at <http://www.szhxt.com> for update information

Dimensions (Unit:mm)



PQ Curve (At rated Voltage)

