

5,08 mm SOCKET PRINTED CIRCUIT TERMINAL – LAYERED MALE 90°



Production Code : 203 SBDK-KE1



TECHNICAL DATA

DIMENSIONS

Width	17,78 mm
Height	26,64 mm
Depth	22,16 mm
Pin range	5,08x10,16 mm
Pin thickness	1x1 mm
Pin hole diameter	1,55 mm

TECHNICAL DATA

Current	16 A
Voltage	250 V
Cable cross section	-
Screw size	-
Nominal torque	-
Flammability rating	V0
Coating of metals	µ3+AG

GENERAL ORDERING DATA

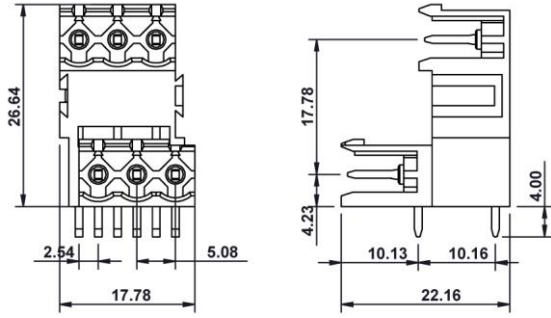
Type	5,08 mm Socket Term. Ser. Layered Male 90 2x3
Qty	50 pcs
Order no	10.525 - 11.525 - 12.525 13.525 - 14.525 - 15.525
Package weight	0,32 kg
Packaging	Box
Min. Order Qty	50 pcs
Country of origin	TURKEY

* Stock colors are blue and green.

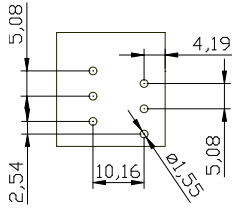
CERTIFICATES

CERTIFICATE	ISSUED BY
TS 10487 EN 60998-2-1	TSE
CE	SZUTEST CO.
RoHS	İNTERTEK A.Ş.
EAC	SERCONS

DRAWINGS



Diagram



COMBINE PRODUCTS

5,08 mm SBDK-D (10.203)

