

PRODUCT SPECIFICATION

Model No.: FYL-48D2UWC1A

| Descriptions: |
|--|
| ■ Dice material: InGaN. |
| ■ Emitting Color: Super bright White. |
| ■ Device Outline: Φ 4.8mm straw hat type. |
| ■ Lens Type: Water clear. |



| CUSTOMER APPROVED SIGNATURES | APPROVED BY | CHECKED BY | PREPARED BY |
|------------------------------|-------------|------------|-------------|
| | | | |

NINGBO FORYARD OPTOELECTRONICS CO.,LTD.

Add: NO.115 Qixin Road Ningbo Zhejiang China

Zip: 315051

Tel: 0086-574-87933652 87927870 87922206

Fax: 0086-574-87927917

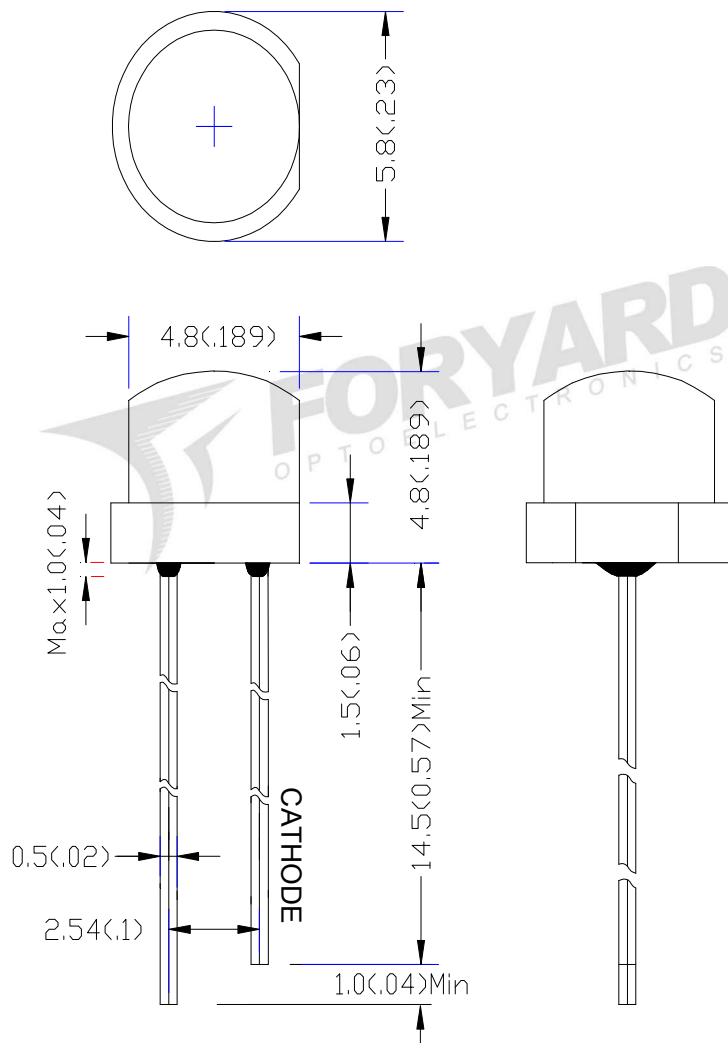
E-mail: Sales@foryard.com (General)

[Http://www.foryard.com](http://www.foryard.com)

■ Features

1. Low power consumption.
2. High efficiency.
3. General purpose leads.
4. High intensity.
5. RoHs compliant.

■ Package configuration



Notes:

1. All dimensions are millimeters (inches)
2. Tolerance is $\pm 0.25\text{mm}$ (.010") unless otherwise noted.
3. The specifications, characteristics and technical data described in the datasheet are subject to change without prior notice.

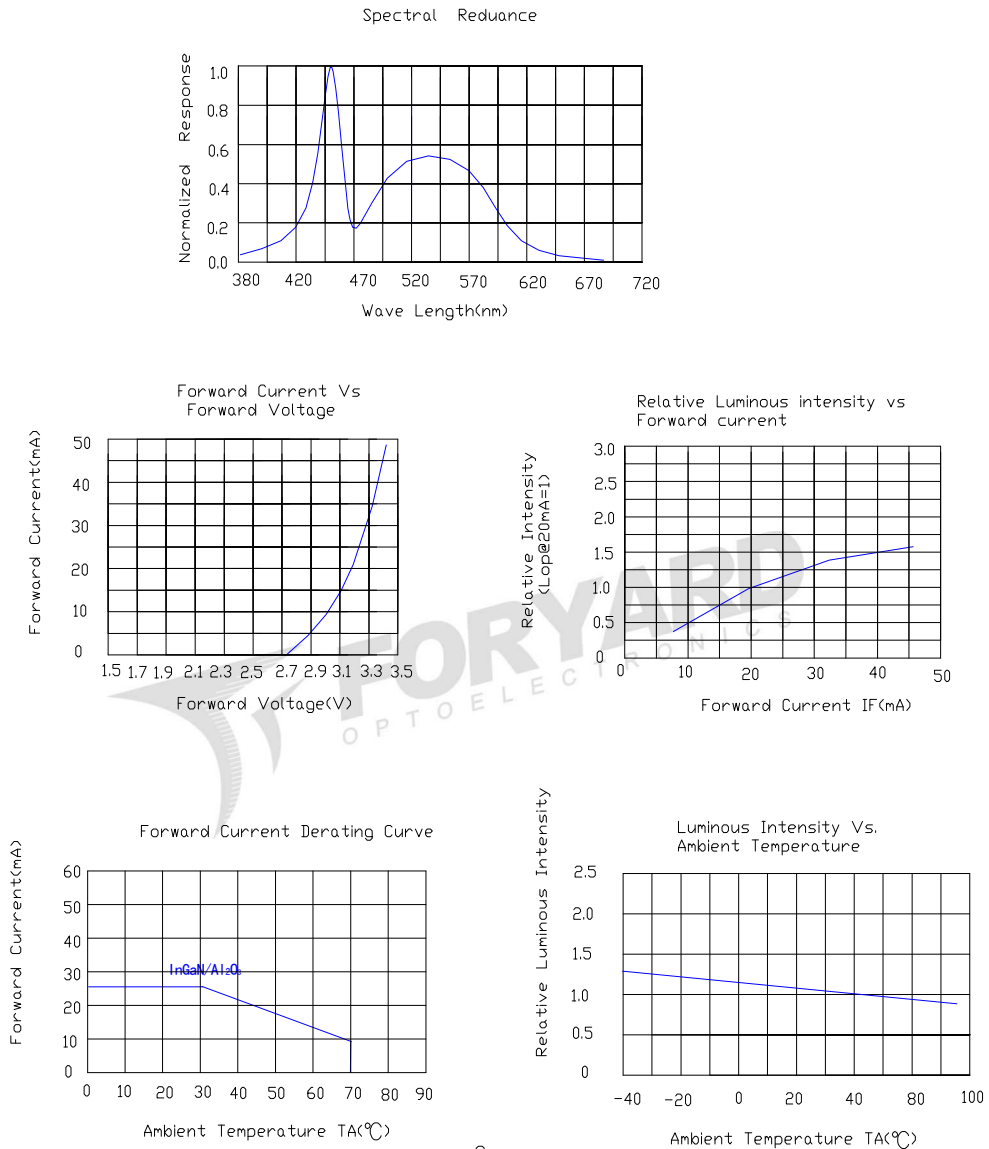
■ Absolute maximum ratings(Ta=25 ° c)

| Parameter | MAX. | Unit |
|---|---------------------|-------|
| Power Dissipation | 90 | mW |
| Peak Forward Current (1/10 Duty Cycle, 0.1ms Pulse Width) | 100 | mA |
| Continuous Forward Current | 25 | mA |
| Derating Linear From 50°C | 0.4 | mA/°C |
| Reverse Voltage | 5 | V |
| Operating Temperature Range | -40°C to +85°C | |
| Storage Temperature Range | -40°C to +100°C | |
| Lead Soldering Temperature[4mm(.157") From Body] | 260°C for 5 Seconds | |

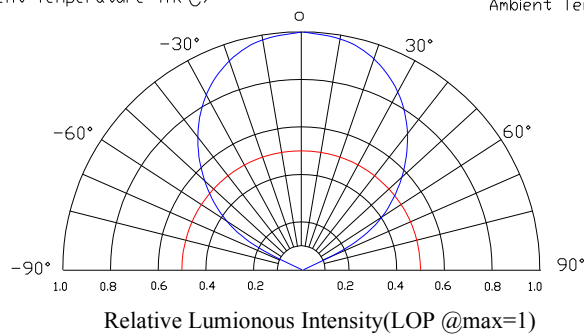
■ Electrical and optical characteristics(Ta=25 ° c)

| Parameter | Symbol | Min. | Typ. | Max. | Unit | Test Condition |
|--------------------------|-------------------|------|------|------|------|----------------------|
| Luminous Intensity | I _v | - | 1800 | - | mcd | I _F =20mA |
| Viewing Angle | 2θ _{1/2} | - | 110 | - | Deg | |
| Chromaticity coordinates | X | - | 0.29 | - | | |
| | Y | - | 0.30 | - | | |
| Color temperature | CCT | - | 9500 | - | K | |
| Forward Voltage | V _F | 2.8 | 3.2 | 3.6 | V | |
| Reverse Current | I _R | | | 10 | μA | V _R =5V |

■ **Typical Electrical Characteristics Curves**
(25 °c Ambient Temperature Unless Otherwise Noted)

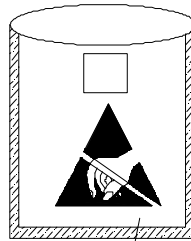
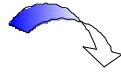


Radiation pattern.

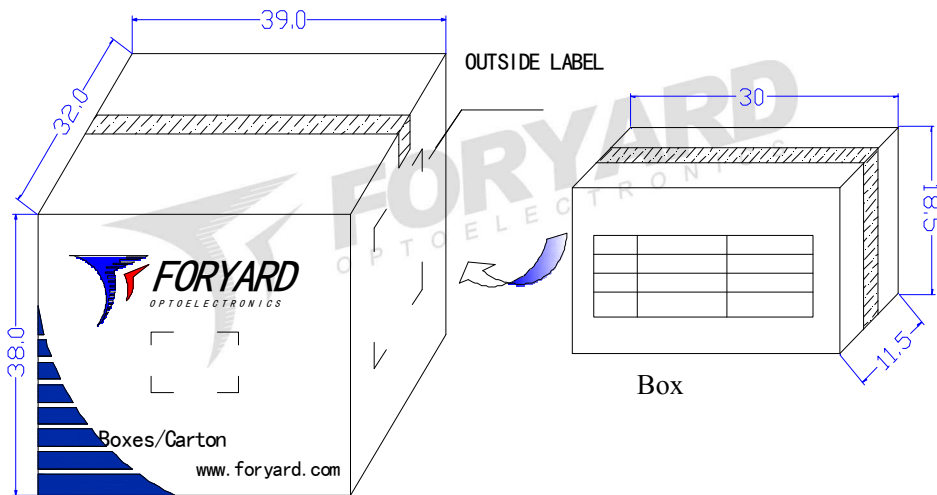
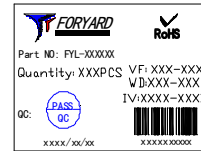


| | |
|------------|---------------|
| Model. No. | FYL-48D2UWC1A |
| Rev. | A |

■ LAMP PACKING.



Polybag



6Boxes/ Carton



OUTSIDE LABEL