

**SPECIFICATIONS**

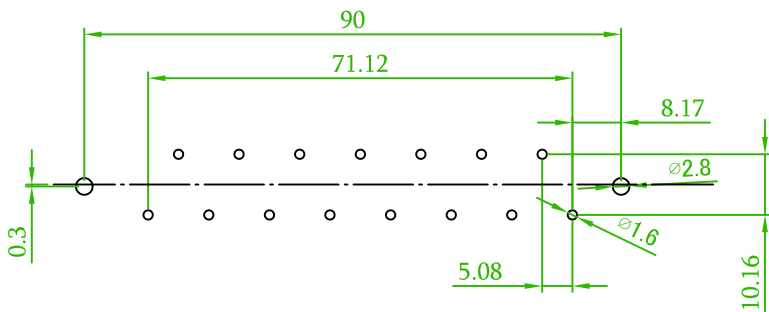
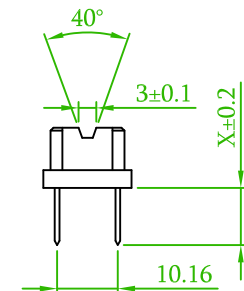
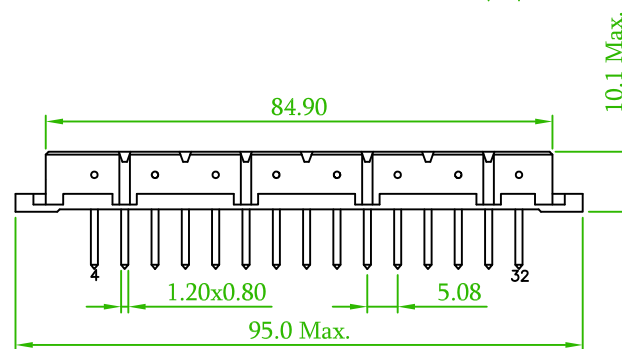
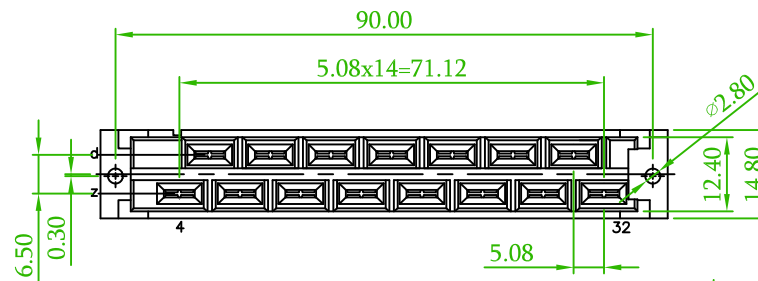
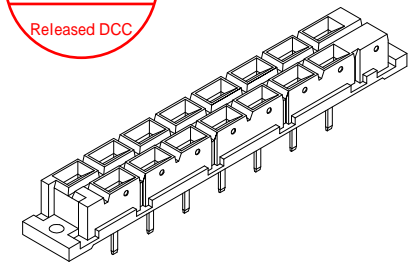
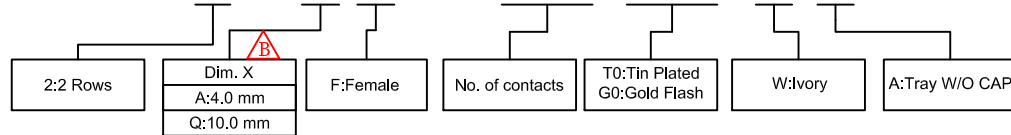
Insulation Resistance: 1000MΩ Min. At DC 500V.  
 Current Rating: 15 Amp.  
 Dielectric Voltage: AC 3100V For 1 minute.  
 Contact Resistance: 8mΩ Max. at DC 100mA.  
 Operation Temperature: -55°C to +105°C

**MATERIAL**

Housing: Thermoplastic Polyester+G. F., UL94V-0  
 Contacts: Copper Alloy

**ORDER INFORMATION**

5 D I N S L 2 F X F - 1 5 X X W A A 0 1



Recommended PCB Layout  
 (PCB TOLERANCE ±0.1)

Old Part No.:DINH15-F15-L

REV.	ECN NO. OR DESCRIPTION	REVISED	DATE
△x1	ECN NO.: 171212, remove the table, add an option: Q: 10mm.	Gary	2018/02/08

糧德精密有限公司  
 Amtek Technology Co., Ltd.  
 TEL: 886-2-2260-6878  
 FAX: 886-2-2260-8030

品名 TITLE	DIN41612 FEMALE D/R R/A DIP TYPE			頁數 Page	1/1
品號 PART NO.	5DINSL2FXF-15XXWAA-01			繪圖 DRAWN	Sinnys 2009/11/26
圖號 DRAWING NO.	GN153-AA333	版本 REV.	B	核對 CHECKED	Josh 2018/02/07
客戶品號 CUSTOMER P/N		比例 SCALE	None	承認 APPROVED	Jason 2018/02/07
公差 TOLERANCE	.X ± 0.25 .XX ± 0.15	單位 UNIT	mm	THIRD ANGLE PROJECTION	