

## Current Transformer CT1267-A1-RC

$I_{DN} = 40\text{Arms}$



### Features

- . Low Amplitude Error & Phase Error.
- . Plastic case material recognized according to UL 94-V0.
- . All relevant materials used in the manufacture of this product are UL approved

### Advantage

- . Excellent accuracy
- . Very good linearity
- . Low temperature drift
- . No insertion losses
- . Current overload capability.

### Applications

- . Metering application.
- . Relay application.

### Application domain

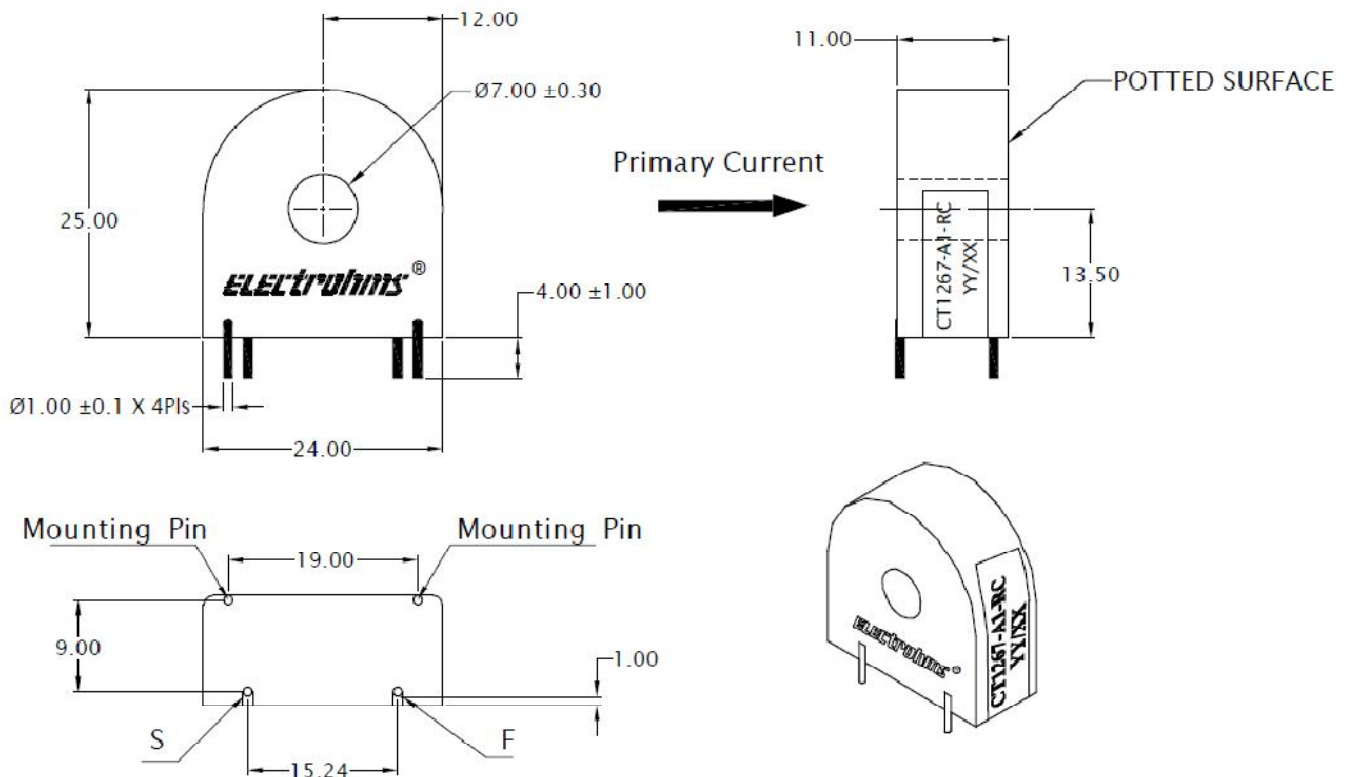
- . Commercial
- . Industrial

### Specification @ 25 °C

Parameter	Symbol	Value	Unit
Current Range	$I_p$	0.25 - 40	A
Primary conductor temperature	$T_s$	100	°C
Turns Ratio	k	1 : 2500	
Winding Resistance	$R_{cu}$	86 – 105	$\Omega$
Recommended Secondary Burden	$R_b$	30	$\Omega$
Amplitude Error	AE	< 0.1	%
Phase Error	PE	< 0.25	degrees
Inductance @ 0.15Vrms, 50Hz	$L_p$	$\geq 133$	H
Operating Frequency	f	50/60	Hz
Dielectric strength Primary to Secondary 50Hz, 60 Seconds	$U_p$	4.0	kVrms
Comparative Tracking Index	CTI	275	V
Operating Temperature range	$T_{amb}$	- 40 to + 70	°C
Storage Temperature range	$T_{stg}$	- 40 to + 85	°C

## Mechanical dimensions

Tolerance:  $\pm 0.5\text{mm}$   
Dimensions are in mm



Termination Details	
F	Finish
S	Start

## Safety

- This Current Transformer must be used in electric/electronic equipment with respect to applicable standards and safety requirements in accordance with the manufacturer's operating instructions.
- Caution, risk of electrical shock  
When operating the Current Transformer, certain parts of the module can carry hazardous voltage (eg. primary busbar, power supply).
- Ignoring this warning can lead to injury and/or cause serious damage.
- Main supply must be to be disconnected.
- The start & finish of the CT will be as shown in the figure, when primary current flows in the direction of Arrow.
- Do not operate the current transformer with secondary in open condition.

