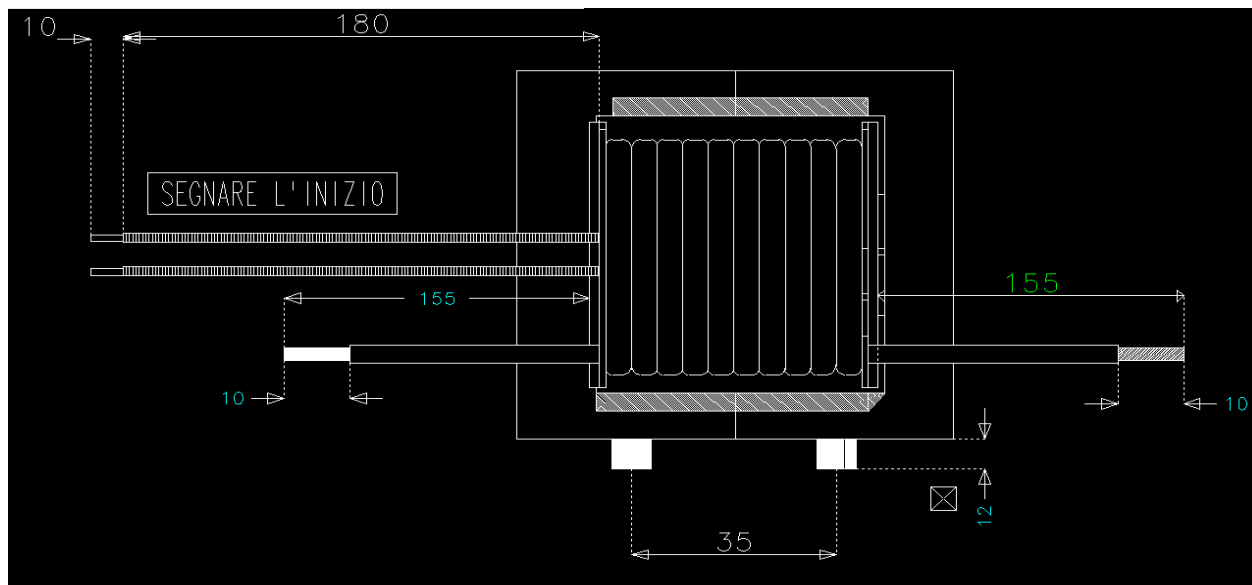


DESCRIPTION DATA:

 UTK Part Number **U170066** Description: **E70 Power Transformer**

 Customer: **Ozdisan** Customer Part Number: _____

 Ref. Your Data Sheet/Drawing n° _____ UTK Data Sheet N. **111213A**

ELETTRICAL DATA:

Inductance (1-2)	Lp	190µH ±10% (@ 10KHz / 1V)
Secondary Current	Is	60A
Working Frequency	f	Max 100kHz
High Voltage Test (1-2 vs cores)	Up	3kVac 50Hz 1'

 Costruito in accordo alle Norme di Isolamento **CEI EN 61558 e CEI EN 60950**
MATERIAL LIST:

Item
Litz wire 12,5mmq
Coil Former E70
1 set Ferrite Cores E70/33/32 - 3C90
Insulation winding NM5 Aramidic Paper/Polyester
Triple insulation wire 0,8mm
White tape H.33mm
Sleeves 15C4
Finish treatment with clear Baking Varnish Hi-Therm BC-359