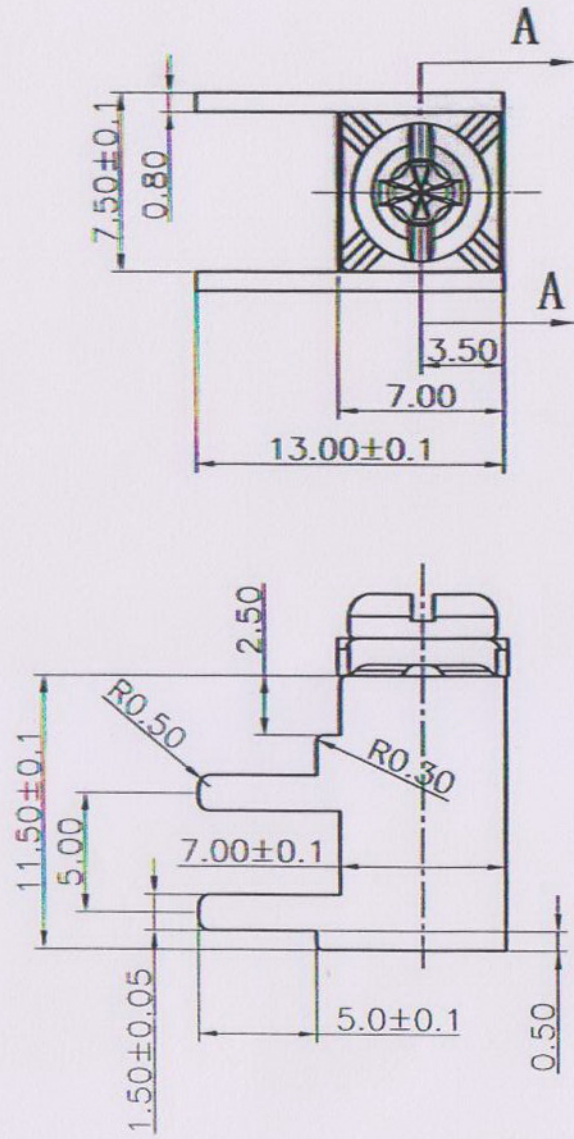


\\D:\egon\wengjun\010 文档中心\收图\K15.dwg, 2009 7 29 9:48:01, 在 DEGRON-WENJUAN 上自动 IP 发布, tel 1020

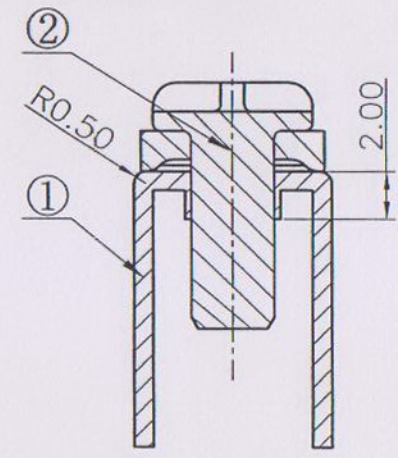
REVISION RECORD				
REV	ECO	DESCRIPTION	DRFT	DATE
△		PART NO. REVISE	WF	12/23/05*
△		PART NO. REVISE	WF	08/18/06*
△		PART NO. REVISE	WLM	07/29/09*



NOTE:

1. Max. Torque Value: 8Kgf. cm;
2. Wire Range: 18-14AWG;

Pitch range in mm		Nominal dimension range in mm						
to	over	over	to	over	over	over		
6	6 to 10	10 to 24	30 to 60	60 to 100	100 to 150	150	□	
	±0.10	±0.15	±0.25	±0.2	±0.3	±0.5	±0.7	
							±1.0005AWG	



Section A-A



2	TSB2.5-bright screw	S000004110	1	steel	Ni plated																
1	K15-pin	C1510	1	Brass	SnCe																
ITEM	NAME OF PART	NO. OF PART	Q'TY	MATERIAL	NOTES																
<table border="1"> <thead> <tr> <th>MM (INCH)</th> <th>TOLERANCES EXCEPT AS NOTED</th> </tr> </thead> <tbody> <tr> <td>.0</td> <td>±0.1</td> </tr> <tr> <td>.00</td> <td>±0.05</td> </tr> <tr> <td>.000</td> <td>±0.01</td> </tr> </tbody> </table>		MM (INCH)	TOLERANCES EXCEPT AS NOTED	.0	±0.1	.00	±0.05	.000	±0.01	<table border="1"> <thead> <tr> <th>DFTO Zhurw</th> <th>DATE 09/08/04*</th> </tr> </thead> <tbody> <tr> <td>CHKD</td> <td>DATE</td> </tr> <tr> <td>MFO</td> <td>DATE</td> </tr> <tr> <td>APPL Hong</td> <td>DATE 07/29/09</td> </tr> </tbody> </table>	DFTO Zhurw	DATE 09/08/04*	CHKD	DATE	MFO	DATE	APPL Hong	DATE 07/29/09	NAME: K15-00A MATERIAL:		
MM (INCH)	TOLERANCES EXCEPT AS NOTED																				
.0	±0.1																				
.00	±0.05																				
.000	±0.01																				
DFTO Zhurw	DATE 09/08/04*																				
CHKD	DATE																				
MFO	DATE																				
APPL Hong	DATE 07/29/09																				
<table border="1"> <thead> <tr> <th>ANGLES ± °</th> <th>G.E :</th> </tr> </thead> <tbody> <tr> <td>THIRD ANGLE PROJECTION</td> <td>FINISH :</td> </tr> </tbody> </table>		ANGLES ± °	G.E :	THIRD ANGLE PROJECTION	FINISH :	DRAWING NO. K15-E01 /PART NO.		SIZE A3 REV T4 07/29/09*													
ANGLES ± °	G.E :																				
THIRD ANGLE PROJECTION	FINISH :																				
SCALE : 1:1			DO NOT SCALE DRAWING		SHEET 1 OF 1																