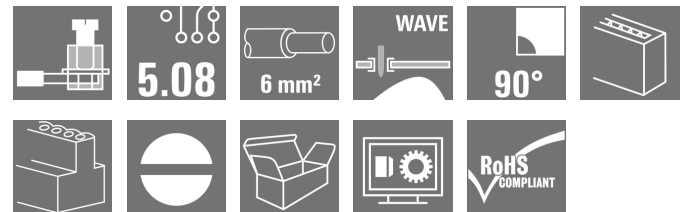


**OMNIMATE Signal - series LP
LP 5.08/03/90 3.2SN OR BX**

Weidmüller Interface GmbH & Co. KG
Klingenbergstraße 16
D-32758 Detmold
Germany
Fon: +49 5231 14-0
Fax: +49 5231 14-292083
www.weidmueller.com

Product image



This PCB terminal provides connections for 32 A and 6 mm² conductor cross-section with proven clamping yoke connection at 5.00 and 5.08 mm pitch, conductor outlet direction in 90°, 135° and 180° design, with extensive auxiliary functions.

General ordering data

Delivery status	This article will no longer be available in the future.
Available until	2019-12-31
Type	LP 5.08/03/90 3.2SN OR BX
Order No.	1592830000
Version	Printed circuit board terminals, 5.08 mm, No. of poles: 3, 90°, Solder pin length (l): 3.2 mm, tinned, orange, Screw connection, Clamping range, max. : 6 mm ² , Box
GTIN (EAN)	4008190054595
Qty.	100 Stück
Product data	IEC: 500 V / 32 A / 0.5 - 6 mm ² UL: 300 V / 20 A / AWG 26 - AWG 12
Packaging	Box
Alternative product	1934260000

OMNIMATE Signal - series LP LP 5.08/03/90 3.2SN OR BX

Weidmüller Interface GmbH & Co. KG
Klingenbergstraße 16
D-32758 Detmold
Germany
Fon: +49 5231 14-0
Fax: +49 5231 14-292083
www.weidmueller.com

Technische Daten

Dimensions and weights

Width	15,84 mm	Width (inches)	0,624 inch
Height	20,2 mm	Height (inches)	0,795 inch
Height of lowest version	17 mm	Depth	11 mm
Depth (inches)	0,433 inch	Net weight	4,2 g

System parameters

Product family	OMNIMATE Signal - series LP	Wire connection method	Screw connection
Mounting onto the PCB	THT solder connection	Conductor outlet direction	90°
Pitch in mm (P)	5,08 mm	Pitch in inches (P)	0,2 inch
No. of poles	3	Fitted by customer	Yes
Max. adjacent poles per row	24	Solder pin length (l)	3,2 mm
Solder pin dimensions	0,75 x 0,9 mm	Solder eyelet hole diameter (D)	1,3 mm
Solder eyelet hole diameter tolerance (D)+ 0,1 mm		Number of solder pins per pole	1
Screwdriver blade	0,6 x 3,5	Screwdriver blade standard	DIN 5264
Tightening torque, min.	0,5 Nm	Tightening torque, max.	0,6 Nm
Clamping screw	M 3	Stripping length	6 mm
L1 in mm	10,16 mm	L1 in inches	0,4 inch
Touch-safe protection acc. to DIN VDE 0470	IP 20	Touch-safe protection acc. to DIN VDE 57 106	Safe from finger touch
Volume resistance	1.20 mΩ		

Material data

Insulating material	PA	Colour code	orange
Colour chart (similar)	RAL 2000	Insulating material group	I
CTI	≥ 600	Insulation strength	≥ 10 ⁸ Ω
UL 94 flammability rating	V-2	Contact material	Copper alloy
Contact surface	tinned	Coating	1-3 μm Ni, 4-6 μm Sn
Tinning type	matt	Layer structure of solder connection	4-6 μm Ni / 4-6 μm Sn
Storage temperature, min.	-25 °C	Storage temperature, max.	55 °C
Max. relative humidity during storage	80 %	Operating temperature, min.	-50 °C
Operating temperature, max.	100 °C	Temperature range, installation, min.	-25 °C
Temperature range, installation, max.	100 °C		

Conductors suitable for connection

Clamping range, min.	0,13 mm ²	Clamping range, max.	6 mm ²
Wire connection cross section AWG, min.	AWG 26	Wire connection cross section AWG, max.	AWG 12
Solid, min. H05(07) V-U	0,5 mm ²	Solid, max. H05(07) V-U	6 mm ²
Flexible, min. H05(07) V-K	0,5 mm ²	Flexible, max. H05(07) V-K	4 mm ²
w. plastic collar ferrule, DIN 46228 pt 4, min.	0,5 mm ²	w. plastic collar ferrule, DIN 46228 pt 4, max.	2,5 mm ²
w. wire end ferrule, DIN 46228 pt 1, min.	0,5 mm ²	w. wire end ferrule, DIN 46228 pt 1, max.	2,5 mm ²
Plug gauge in accordance with EN 60999 a x b; ø	2.8 mm x 2.4 mm; 3.0 mm		

OMNIMATE Signal - series LP LP 5.08/03/90 3.2SN OR BX


Weidmüller Interface GmbH & Co. KG
Klingenbergstraße 16
D-32758 Detmold
Germany
Fon: +49 5231 14-0
Fax: +49 5231 14-292083
www.weidmueller.com

Technische Daten


Rated data acc. to IEC

tested acc. to standard	IEC 60664-1, IEC 61984	Rated current, min. no. of poles (Tu=20°C)	32 A
Rated current, max. no. of poles (Tu=20°C)	30,5 A	Rated current, min. no. of poles (Tu=40°C)	32 A
Rated current, max. no. of poles (Tu=40°C)	25 A	Rated voltage for surge voltage class / pollution degree II/2	500 V
Rated voltage for surge voltage class / pollution degree III/2	250 V	Rated voltage for surge voltage class / pollution degree III/3	250 V
Rated impulse voltage for surge voltage class/ pollution degree II/2	4 kV	Rated impulse voltage for surge voltage class/ pollution degree III/2	4 kV
Rated impulse voltage for surge voltage class/ contamination degree III/3	4 kV	Short-time withstand current resistance	3 x 1s with 120 A

Rated data acc. to CSA

Institute (CSA)		Certificate No. (CSA)	200039-1202191
Rated voltage (Use group B / CSA)	300 V	Rated voltage (Use group D / CSA)	300 V
Rated current (Use group B / CSA)	20 A	Rated current (Use group D / CSA)	10 A
Wire cross-section, AWG, min.	AWG 26	Wire cross-section, AWG, max.	AWG 12
Reference to approval values	Specifications are maximum values, details - see approval certificate.		

Rated data acc. to UL 1059

Institute (UR)		Certificate No. (UR)	E60693
Rated voltage (Use group B / UL 1059)	300 V	Rated voltage (Use group D / UL 1059)	300 V
Rated current (Use group B / UL 1059)	20 A	Rated current (Use group D / UL 1059)	10 A
Wire cross-section, AWG, min.	AWG 26	Wire cross-section, AWG, max.	AWG 12
Reference to approval values	Specifications are maximum values, details - see approval certificate.		

Packaging

Packaging	Box	VPE length	62 mm
VPE width	103 mm	VPE height	110 mm

Classifications

ETIM 3.0	EC001284	ETIM 4.0	EC002643
ETIM 5.0	EC002643	ETIM 6.0	EC002643
UNSPSC	30-21-18-01	eClass 6.2	27-26-11-01
eClass 7.1	27-44-04-01	eClass 8.1	27-44-04-01
eClass 9.0	27-44-04-01	eClass 9.1	27-44-04-01

OMNIMATE Signal - series LP LP 5.08/03/90 3.2SN OR BX

Weidmüller Interface GmbH & Co. KG
Klingenbergstraße 16
D-32758 Detmold
Germany
Fon: +49 5231 14-0
Fax: +49 5231 14-292083
www.weidmueller.com

Technische Daten

Notes

Notes	<ul style="list-style-type: none"> • Additional colours on request • Rated current related to rated cross-section & min. No. of poles. • Wire end ferrule without plastic collar to DIN 46228/1 • Wire end ferrule with plastic collar to DIN 46228/4 • P on drawing = pitch • Rated data refer only to the component itself. Clearance and creepage distances to other components are to be designed in accordance with the relevant application standards.
-------	--

IPC conformity	Conformity: The products are developed, manufactured and delivered according international recognized standards and norms and comply with the assured properties in the data sheet resp. fulfill decorative properties in accordance with IPC-A-610 "Class 2". Further claims on the products can be evaluated on request.
----------------	--

Approvals

Approvals



ROHS	Conform
------	---------

Downloads

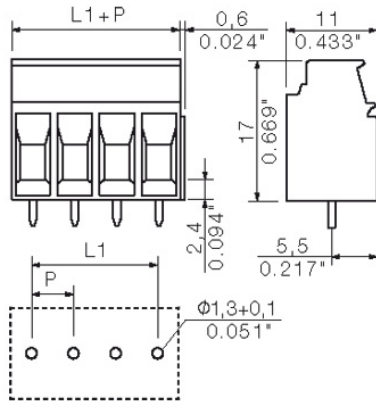
Approval/Certificate/Document of Conformity	Declaration of the Manufacturer
Brochure/Catalogue	FL DRIVES EN FL ANALO.SIGN.CONV. EN MB DEVICE MANUF. EN FL DRIVES DE FL BUILDING SAFETY EN FL APPL LED LIGHTING EN FLIndustr.CONTROLS EN FL MACHINE SAFETY EN FL HEATING ELECTR EN FL APPL INVERTER EN FL_BASE_STATION EN FL ELEVATOR EN FL POWER SUPPLY EN FL 72H SAMPLE SER EN PO OMNIMATE EN
Engineering Data	WSCAD

OMNIMATE Signal - series LP
LP 5.08/03/90 3.2SN OR BX

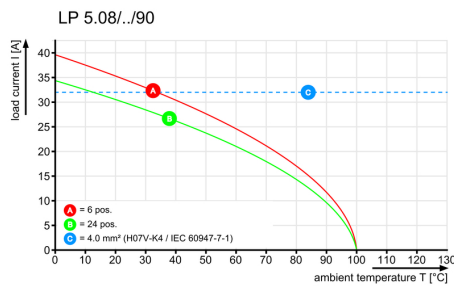
Weidmüller Interface GmbH & Co. KG
 Klingenbergstraße 16
 D-32758 Detmold
 Germany
 Fon: +49 5231 14-0
 Fax: +49 5231 14-292083
 www.weidmueller.com

Zeichnungen

Dimensional drawing



Graph



**OMNIMATE Signal - series LP
LP 5.08/03/90 3.2SN OR BX**

Weidmüller Interface GmbH & Co. KG
Klingenbergstraße 16
D-32758 Detmold
Germany
Fon: +49 5231 14-0
Fax: +49 5231 14-292083
www.weidmueller.com

Accessories

Intermediate plates



The maximum voltage is based on the minimum distance.

Intermediate plates increase the creepage and clearance distances between different potentials and permit higher rated voltages or a clear separation, e.g. between mains and low voltages or different protection zones. The dovetail joint enables easy installation and guarantees a secure fit. Other characteristics include:

- Pitch extended by 1.27 or 2.54mm - all other combinations possible
- Colour coding ensures visual differentiation
- Different geometries for standard designs.

Incomplete individual assemblies avoided because separate terminal blocks combine to form a single holistic unit. Ready-assembled on request. The advantages: efficient processing, increased stability, improved reliability.

General ordering data

Available until	Type	Order No.	Version	GTIN (EAN)	Qty.	Product data
2019-12-31T00:00:00+01:00	LPZP 2.54/90 SW	1747500000	Printed circuit board terminals, Accessories, Intermediate plate, black, No. of poles: 1	4008190992187	100 Stück	
Discontinued	2016-04-08T00:00:00+02:00	LPZP 1.27/90 SW	1747510000	Printed circuit board terminals, Accessories, Intermediate plate, black, No. of poles: 1	4008190992194	100 Stück
2019-12-31T00:00:00+01:00	LPZP 1.27/90 OR	1747490000	Printed circuit board terminals, Accessories, Intermediate plate, orange, No. of poles: 1	4008190992170	100 Stück	
This article will no longer be available in the future.	2019-12-31T00:00:00+01:00	LPZP 2.54/90 OR	1747480000	Printed circuit board terminals, Accessories, Intermediate plate, orange, No. of poles: 1	4008190992163	100 Stück

OMNIMATE Signal - series LP LP 5.08/03/90 3.2SN OR BX

Weidmüller Interface GmbH & Co. KG
Klingenbergstraße 16
D-32758 Detmold
Germany
Fon: +49 5231 14-0
Fax: +49 5231 14-292083
www.weidmueller.com

Accessories

Function indicators



Everything under control:

The function indicator is easy to retrofit and clearly indicates the switching state at the clamping point - also available with large format marking holder. One of the most versatile and efficient terminal printing systems with 5mm pitch: the Weidmüller LP series.

- Holder for 3mm standard LEDs
- Simple installation on the back of SP series terminals.
- Optional marking holder for advanced marking options (WS10/5 and WS12/5, see markings)

The easiest, most reliable way of monitoring switching states.

In brief: minimum effort, maximum reliability.

General ordering data

Type	Order No.	Version	GTIN (EAN)	Qty.	Product data	Packaging
LPA FA3 BZ	1496260000	Printed circuit board terminals, Accessories, Function indicator, black, No. of poles: 3	4008190101862	50 Stück		Box
LPA FA3	1496060000	Printed circuit board terminals, Accessories, Function indicator, black, No. of poles: 3	4008190062330	50 Stück		Box
LPA FA2	1495960000	Printed circuit board terminals, Accessories, Function indicator, black, No. of poles: 2	4008190173500	50 Stück		Box
LPA FA2 BZ	1496160000	Printed circuit board terminals, Accessories, Function indicator, black, No. of poles: 2	4008190100988	50 Stück		Box

OMNIMATE Signal - series LP LP 5.08/03/90 3.2SN OR BX

Weidmüller Interface GmbH & Co. KG
Klingenbergstraße 16
D-32758 Detmold
Germany
Fon: +49 5231 14-0
Fax: +49 5231 14-292083
www.weidmueller.com

Accessories

Isolating elements



Efficient isolation - safe inspections:

The isolating element isolates the current circuits directly at the clamping point and is easy to retrofit - one of the most versatile and efficient terminal printing systems with 5mm pitch: the LP-series by Weidmüller.

Suitable for direct installation on the back of terminals.

- Enclosed safe from finger touch
- 2 in 1 - marking holder for labelling circuit numbers and fuses
- Attachment profile for Dekafix markers

Clear assignment of isolating elements to the correct conductor outlet enables thorough maintenance and inspections.

Safety in compact form - for the service technician and application components.

General ordering data

Type	Order No.	Version	GTIN (EAN)	Qty.	Product data	Packaging
LPA TR STI3.2 OR	1495460000	Printed circuit board terminals, Accessories, Spacer, orange, No. of poles: 1	4008190044688	100 Stück	IEC: 500 V / 13 A UL:	Box
LPA TR STI4.5 OR	1495560000	Printed circuit board terminals, Accessories, Spacer, orange, No. of poles: 1	4008190156732	100 Stück	IEC: 500 V / 13 A UL:	Box

Cross-connections



Large potential for small terminals.

For efficient electrical distribution directly at the connection:

- Isolated comb rail
- Available with the most standard pole numbers
- Easy to shorten

Simply reduce in size to match the number of poles and connect with the conductor in a single working procedure.

For retrofitting or deliberate reduction of the thermal load on the PCB.

General ordering data

Type	Order No.	Version	GTIN (EAN)	Qty.	Product data	Packaging
LPA QB 3	1472300000	Printed circuit board terminals, Accessories, Cross-connector, No. of poles: 3	4008190093914	50 Stück		Box
LPA QB 2	1472200000	Printed circuit board terminals, Accessories,	4008190096298	50 Stück		Box

OMNIMATE Signal - series LP
LP 5.08/03/90 3.2SN OR BX

Weidmüller Interface GmbH & Co. KG
Klingenbergstraße 16
D-32758 Detmold
Germany
Fon: +49 5231 14-0
Fax: +49 5231 14-292083
www.weidmueller.com

Accessories

Cross-connector, No. of poles: 2

Marker holder



Finds space on the smallest terminal:

The marking holder is easy to retrofit and provides a large additional labelling space - the Weidmüller LP series is one of the most versatile and efficient terminal printing systems with 5mm pitch.

3 steps to clear, legible labels:

The most professional, convenient method of marking clamping points direct on the module - no confusion between clamping points and no incorrect wiring connections.

Minimum effort, maximum effect.

General ordering data

Type	Order No.	Version	GTIN (EAN)	Qty.	Product data	Packaging
LPA BZ2	1497260000	Printed circuit board terminals, Accessories, Marker holder, black, No. of poles: 2	4008190027902	100 Stück		Box
LPA BZ3	1497360000	Printed circuit board terminals, Accessories, Marker holder, black, No. of poles: 3	4008190127022	100 Stück		Box

Mounting blocks



Minor component, major effect:

Clip-on attachment elements increase the mechanical resilience of the circuit board terminals.

Clip-on or pre-assembled - always the right solution:

- Hard-wearing, precise fitting dovetail joint
- Hard-wearing metal threaded inserts
- Suitable for all outlet directions

Maximum stability, minimum effort:

- Extremely resilient for frequent fastening operations
- Complete set for easy selection

The result: soldering points, contacts and overall module are more resilient against mechanical stress such as vibrations and tensile loads.

General ordering data

Delivery status	Available until	Type	Order No.	Version	GTIN (EAN)	Qty.
This article will no longer be available in the future.	2019-12-31T00:00:00+01:00	LPBB MU OR	1747530000	Printed circuit board terminals, Accessories, Mounting block, orange, No. of poles: 1	4008190992217	100 Stück

OMNIMATE Signal - series LP LP 5.08/03/90 3.2SN OR BX

Weidmüller Interface GmbH & Co. KG
Klingenbergstraße 16
D-32758 Detmold
Germany
Fon: +49 5231 14-0
Fax: +49 5231 14-292083
www.weidmueller.com

Accessories

2019-12-31T00:00:00+01:00		1747540000	Printed circuit board terminals, Accessories, Mounting block, orange, No. of poles: 1	4008190992224	100 Stück
Discontinued 2014-05-20T00:00:00+02:00	LPBB MU SW	1747550000	Printed circuit board terminals, Accessories, Mounting block, black, No. of poles: 1	4008190992231	100 Stück
Discontinued 2010-05-12T00:00:00+02:00	LPBB SW	1747560000	Printed circuit board terminals, Accessories, Mounting block, black, No. of poles: 1	4008190992248	100 Stück

Fuse cartridges



Convenient protection for technicians and technology:

The fuse holder protects the current circuits directly at the clamping point and is easy to retrofit - one of the most versatile and efficient terminal printing systems with 5mm pitch: the LP-series by Weidmüller.

Suitable for direct installation on the back of terminals.

- Enclosed, safe from finger touch
- 2 in 1 - marking holder for labelling circuit numbers and fuses
- Attachment profile for Dekafix markers

Clear assignment of safety elements to the correct conductor outlet enables easy maintenance and troubleshooting.

Safety in compact form - for the service technician and application components.

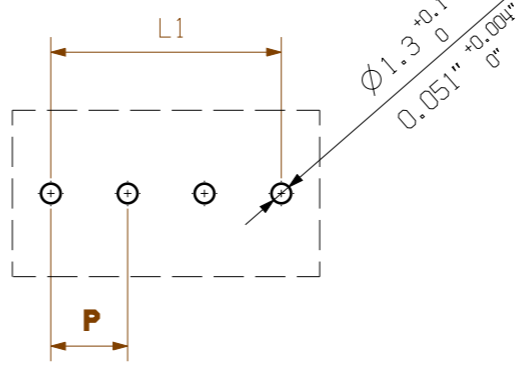
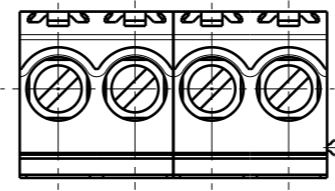
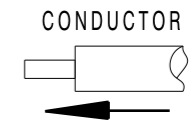
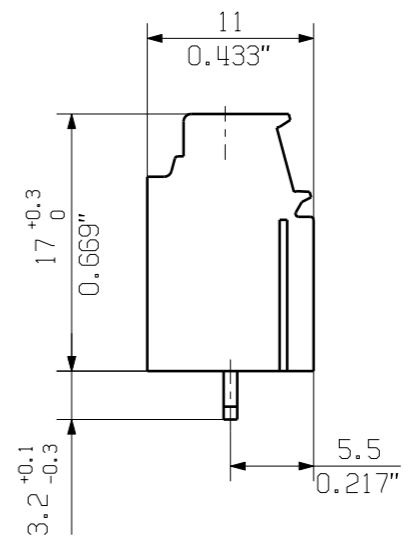
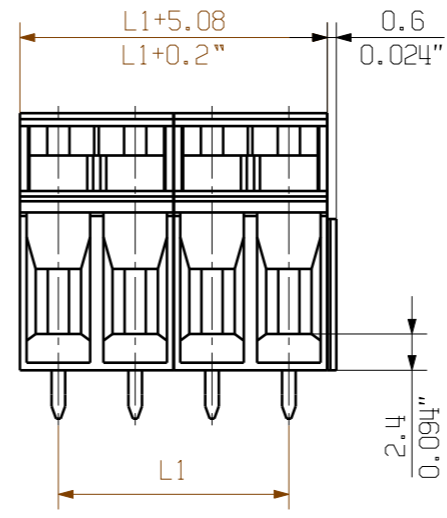
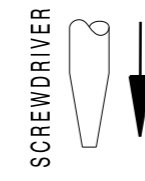
General ordering data

Type	Order No.	Version	GTIN (EAN)	Qty.	Product data	Packaging
LPA SI STI3.2 OR	1495060000	Printed circuit board terminals, Accessories, Fuse cartridge, orange, No. of poles: 1	4008190095536	50 Stück	IEC: 500 V / 6.3 A UL:	Box
LPA SI STI4.5 OR	1495160000	Printed circuit board terminals, Accessories, Fuse cartridge, orange, No. of poles: 1	4008190153359	50 Stück	IEC: 500 V / 6.3 A UL:	Box

MASSE OHNE TOLERANZ SIND KEINE PRUEFMASSE
 DIMS. WITHOUT TOLERANCE ARE NOT CONTROL DIMS.

DIE DEUTSCHE VERSION IST VERBINDLICH
 THE GERMAN VERSION IS BINDING

WEITERGABE SOWIE VERVIELFAELTIGUNG DIESES DOKUMENTS, VERWERTUNG UND MITTEILUNG SEINES INHALTS SIND VERBOTEN, SOWEIT NICHT AUSDRUECKLICH GESTATTET.
 ZUWIDERHANDLUNGEN VERPFLICHTEN ZU SCHADENERSATZ. ALLE RECHTE FUER DEN FALL DER PATENT-, GEBRAUCHSMUSTER-, ODER GESCHMACKSMUSTEREINTRAGUNG VORBEHALTEN.
 THE REPRODUCTION, DISTRIBUTION AND UTILIZATION OF THIS DOCUMENT AS WELL AS THE COMMUNICATION OF ITS CONTENTS TO OTHERS WITHOUT EXPLICIT AUTHORIZATION IS PROHIBITED.
 OFFENDERS WILL BE HELD LIABLE FOR THE PAYMENT OF DAMAGES. WEIDMUELLER EXCLUSIVELY RESERVES THE RIGHT TO FILE FOR PATENTS, UTILITY MODELS OR DESIGNS.
 © WEIDMUELLER INTERFACE GmbH & Co.KG



HOLE PATTERN

SHOWN: LP 5.08/./90 ...

For the mounting of PCBs, it should be noted that the rated data relates only to the PCB components alone.

The necessary creepage and clearance paths must be observed in connection with the respective applicant in accordance to IEC 664 / VDE 0110.

The current-carrying capacity and pitch tolerance is to be determined according to DIN IEC 326 part 3 very fine.

Weidmüller PCB components are tested to the DIN EN 61984 standard, and are valid for its field of application. Provided that the components are used to the intended purpose, all requirements with respect to the occurring of electrical, mechanical, thermic and corrosive stress will be satisfied.

		METRIC TOLERANCES X. = ±0.3 X.X = ±0.1 X.XX = ±0.05		53546/5 06.10.10 HOHLBEIN_K 01		CAT.NO.:	
		MODIFICATION				C 33244 12 DRAWING NO. ISSUE NO.	
SCALE: 2/1 SUPERSEDES:		DRAWN 22.09.2008 HELIS_MA RESPONSIBLE KRUG_M CHECKED 11.10.2010 HECKERT_M APPROVED HECKERT_M		DATE NAME DATE NAME		SHEET 01 OF 01(2) SHEETS	
PRODUCT FILE: LP../90				7360			

n	L1 [mm]	L1 [Inch]
24	116,84	4,600
23	111,76	4,400
22	106,68	4,200
21	101,60	4,000
20	96,52	3,800
19	91,44	3,600
18	86,36	3,400
17	81,28	3,200
16	76,20	3,000
15	71,12	2,800
14	66,04	2,600
13	60,96	2,400
12	55,88	2,200
11	50,80	2,000
10	45,72	1,800
9	40,64	1,600
8	35,56	1,400
7	30,48	1,200
6	25,40	1,000
5	20,32	0,800
4	15,24	0,600
3	10,16	0,400
2	5,08	0,200

⑫ LP 5.08/./90 ...
 LEITERPLATTEN-ANSCHLUSSKLEMME
 PCB-TERMINAL

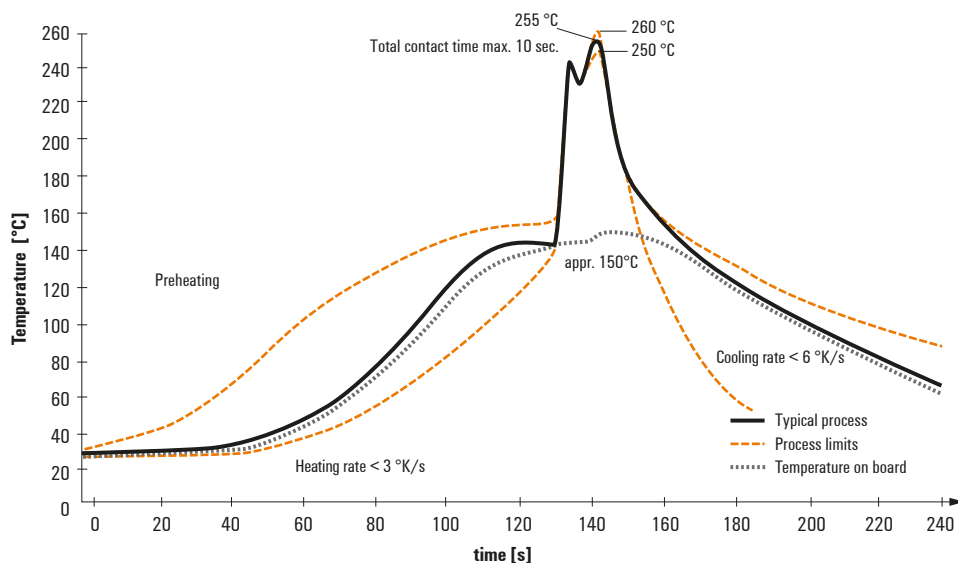
Recommended wave soldering profiles

Weidmüller Interface GmbH & Co. KG
 Klängenbergstraße 16
 D-32758 Detmold
 Germany
 Fon: +49 5231 14-0
 Fax: +49 5231 14-292083
 www.weidmueller.com

Single Wave:



Double Wave:



Wave soldering profiles

Wired connection elements should be processed in accordance with the DIN EN 61760-1 standard. We have included two recommendations for practical wave soldering profiles, with which Weidmüller PCB terminals and connectors are qualified.

When choosing a suitable profile for your application, the following factors also need to be considered:

- PCB thickness
- Proportion of Cu in the layers
- Single/double-sided assembly
- Product range
- Heating and cooling rates

The single and double wave profiles each indicate the recommended operating range, including the maximum soldering temperature of 260°C. In practice, the maximum soldering temperature is quite often well below the above maximum profile.