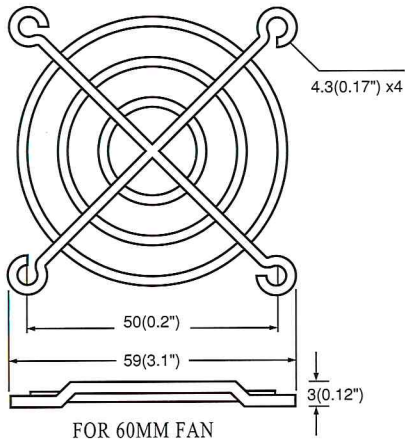
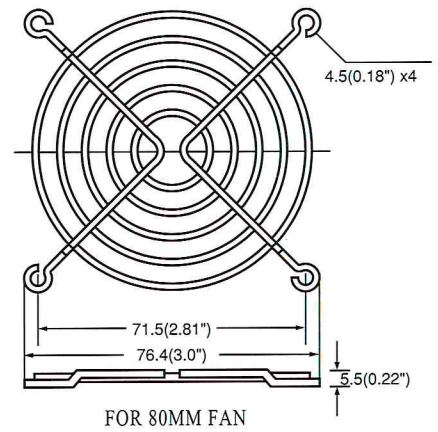


FINGER GUARD

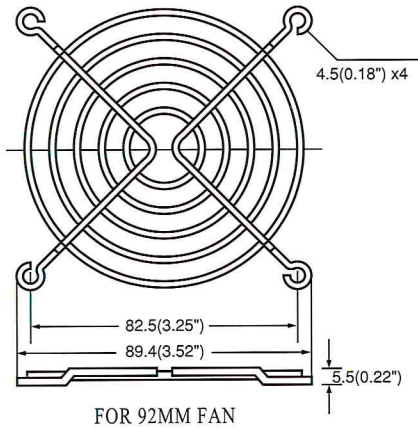
B-1



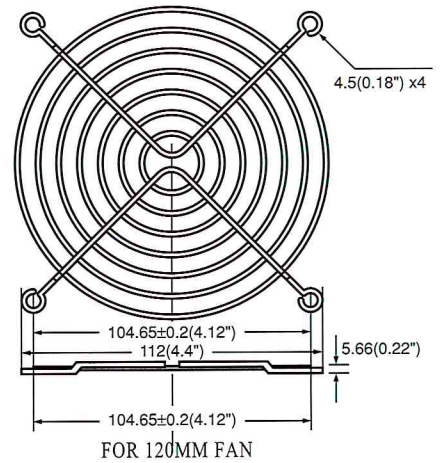
B-2



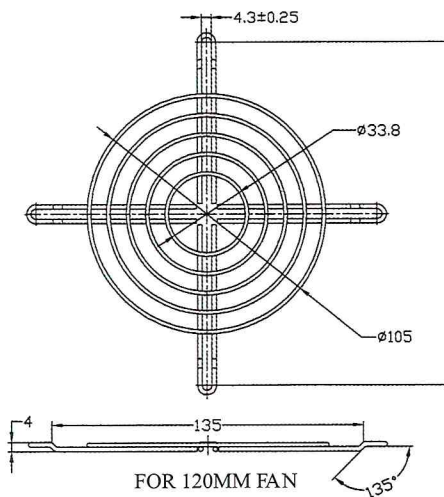
B-3



B-4



B4-5



B-5

