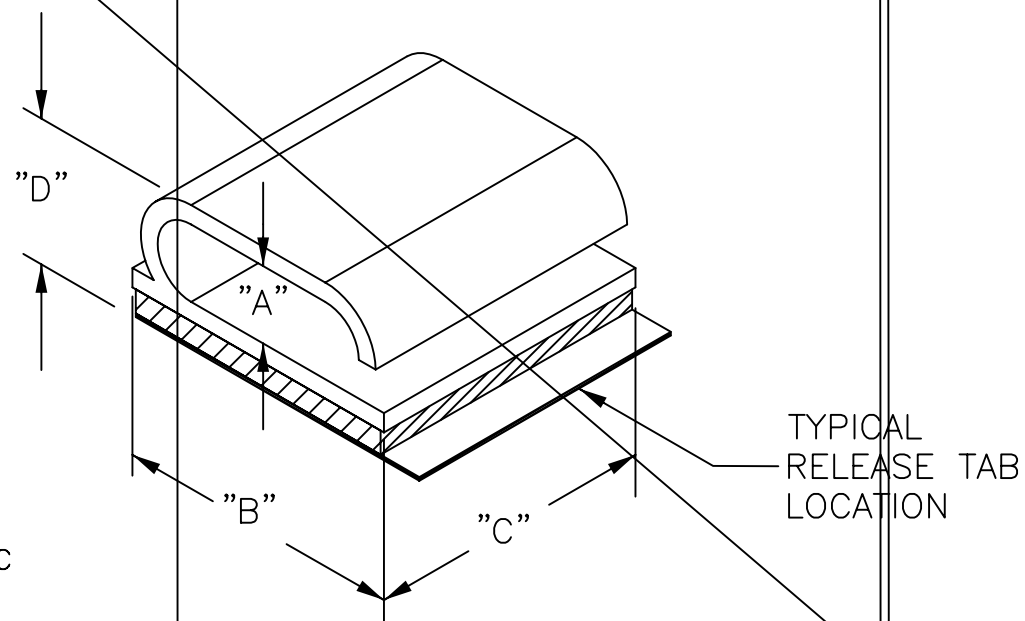


PART NO.	HOLDING CAPACITY "A"	"B" ±.015 (0.4)	"C" ±.02 (0.5)	"D" AT MAX CAPACITY REF.
KKF-10X4-RT	.20 X .56 (5.1 X 14.3)	.750 (19.1)	.750 (19.1)	.36 (9.1)



- NOTES:
- MAT'L: RIGID PVC (RMS-04). ALSO AVAILABLE IN CLEAR PVC (RMS-32) BY SPECIAL ORDER
  - COLOR: GRAY
  - TAPE: 1/16" THICK DOUBLE SIDED ADHESIVE (RMS-15).
  - CUSTOM LENGTHS AVAILABLE BY SPECIAL ORDER.

TITLE: KWIK-KLIP, TYPE "F", SIZE 10X4		DWG IN IN (MM)		FINAL	
TOLERANCES		FILE # KKF	S.M.	PART #	
.XX=.020		MAT'L: SEE NOTE	11/28/00	SEE TABLE	
.XXX=.015		RICHCO, INC.		PRINT TYPE	
FRAC=1/64		PO BOX 804238, CH		CA	
ANG=1°		(773) 539-4060			

REV	DESCRIPTION	ENGR	DATE
D	CHANGED NOTE 1 & ADDED NOTE 4	SJ	03.18.02
C	COMPLETELY RE-DRAWN & CHANGED FILE #	S.M.	11.28.00
B	ADDED NOTES, CORRECTED TAPE THICKNESS TO 1/16"	JK	2.10.00
A	COMPLETELY CORRECTED AND REVISED PRINT	JK	11.17.99